



Chipsmall Limited consists of a professional team with an average of over 10 year of expertise in the distribution of electronic components. Based in Hongkong, we have already established firm and mutual-benefit business relationships with customers from,Europe,America and south Asia,supplying obsolete and hard-to-find components to meet their specific needs.

With the principle of "Quality Parts,Customers Priority,Honest Operation,and Considerate Service",our business mainly focus on the distribution of electronic components. Line cards we deal with include Microchip,ALPS,ROHM,Xilinx,Pulse,ON,Everlight and Freescale. Main products comprise IC,Modules,Potentiometer,IC Socket,Relay,Connector.Our parts cover such applications as commercial,industrial, and automotives areas.

We are looking forward to setting up business relationship with you and hope to provide you with the best service and solution. Let us make a better world for our industry!



Contact us

Tel: +86-755-8981 8866 Fax: +86-755-8427 6832

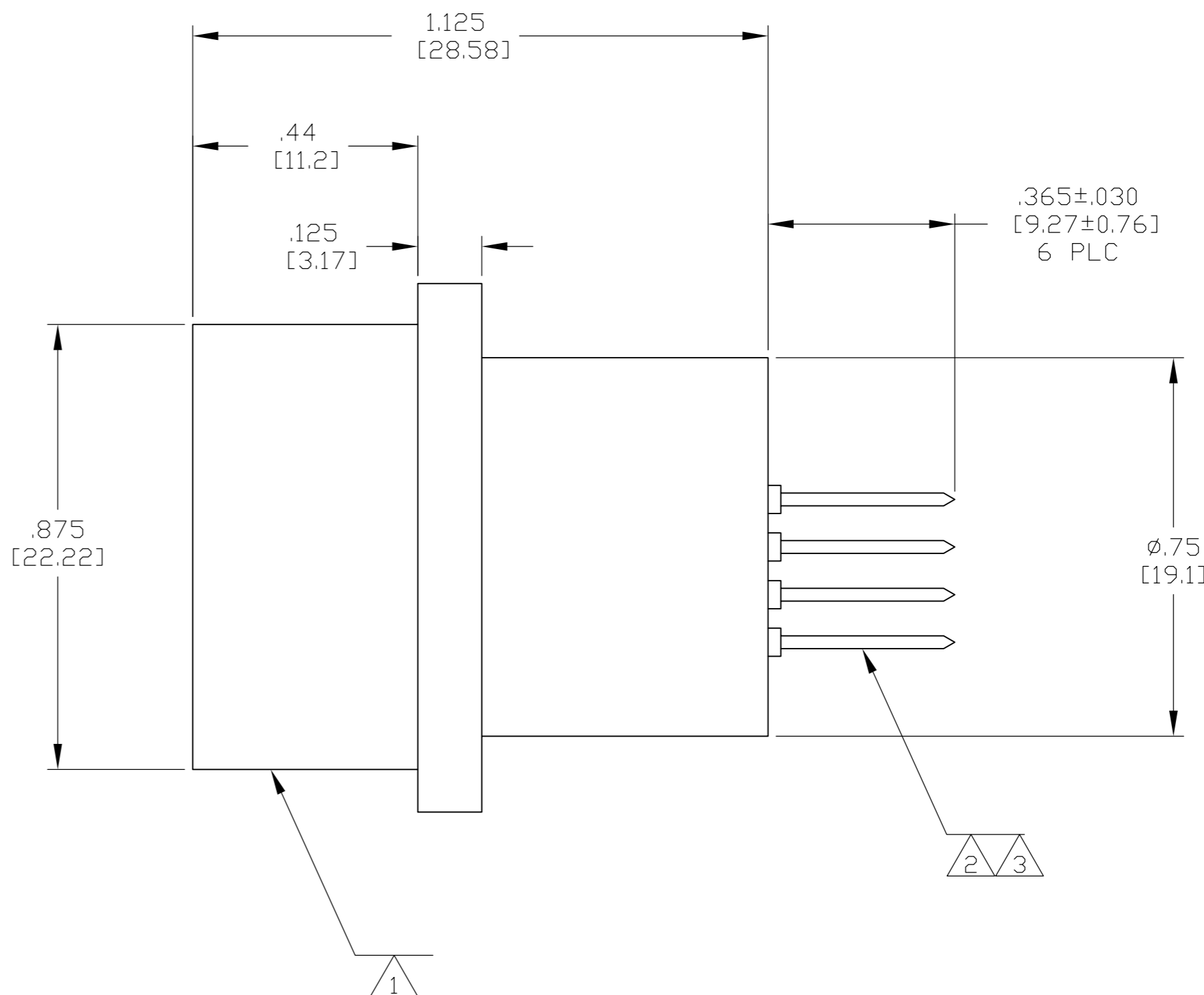
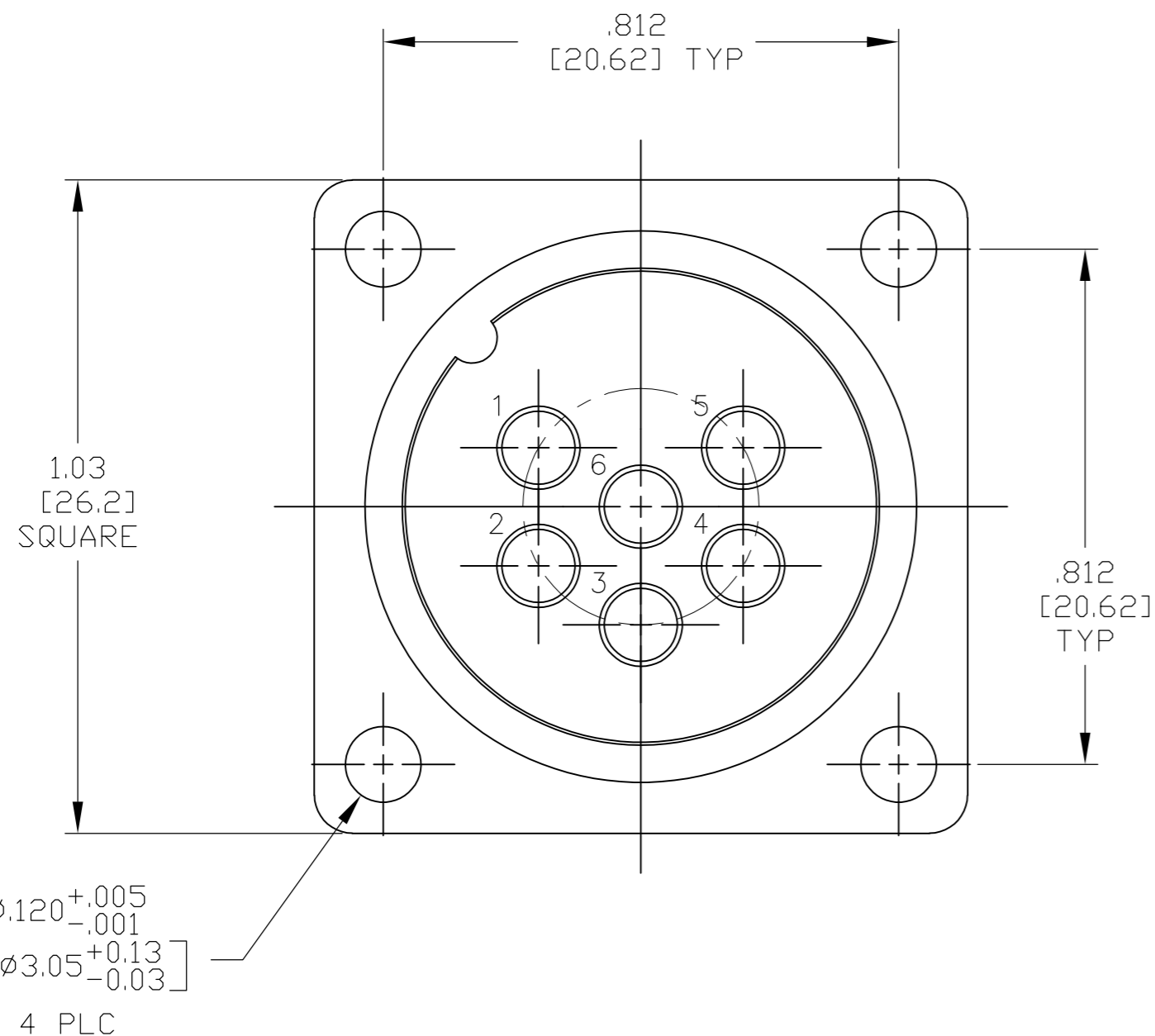
Email & Skype: info@chipsmall.com Web: www.chipsmall.com

Address: A1208, Overseas Decoration Building, #122 Zhenhua RD., Futian, Shenzhen, China



THIS DRAWING IS UNPUBLISHED. RELEASED FOR PUBLICATION
 © COPYRIGHT BY TYCO ELECTRONICS CORPORATION. ALL RIGHTS RESERVED.

LOC		DIST		REVISIONS			
P	LTR	DESCRIPTION	DATE	DWN	APVD		
DF	S5	A	REV PER ECO 07-016498	7-16-07	CT	DE	



- 1 HOUSING IS NOT PROVIDED WITH THREADED FRONT SKIRT.
- 2 AMP TYPE III +, SIZE 16 SOCKET CONTACTS WITH .025 [0.63] SQUARE POSTS, GOLD PLATED BODY WITH TIN-LEAD PLATED POSTS. 6 PLC
- 3 AMP TYPE III +, SIZE 16 SOCKET CONTACTS WITH .025 [0.63] SQUARE POSTS, GOLD PLATED BODY WITH TIN PLATED POSTS. 6 PLC

3	5-447914-1
2	447914-1
CONTACT PLATING	PART NO.

THIS DRAWING IS A CONTROLLED DOCUMENT.		DWN T. SHUEY 7-15-91	Tyco Electronics Corporation Harrisburg, PA 17105-3608	
DIMENSIONS: INCHES [mm]		CHK D. EABY 8-15-91	NAME RECEPTACLE, 6 POSITION, LGH	
TOLERANCES UNLESS OTHERWISE SPECIFIED:		APVD D. EABY 8-15-91	SIZE A2	CAGE CODE 00779
0 PLC ± -		PRODUCT SPEC	DRAWING NO. C=447914	RESTRICTED TO -
1 PLC ± -		APPLICATION SPEC	SCALE 4:1	SHEET 1 of 1
2 PLC ± .01 [0.3]		WEIGHT -	REV A	
3 PLC ± .005 [0.13]		CUSTOMER DRAWING		
4 PLC ± -				
ANGLES ± -				
MATERIAL HOUSING: BLACK POLYESTER THERMOPLASTIC		FINISH CONTACT: SEE TABLE		