



Chipsmall Limited consists of a professional team with an average of over 10 year of expertise in the distribution of electronic components. Based in Hongkong, we have already established firm and mutual-benefit business relationships with customers from,Europe,America and south Asia,supplying obsolete and hard-to-find components to meet their specific needs.

With the principle of "Quality Parts,Customers Priority,Honest Operation,and Considerate Service",our business mainly focus on the distribution of electronic components. Line cards we deal with include Microchip,ALPS,ROHM,Xilinx,Pulse,ON,Everlight and Freescale. Main products comprise IC,Modules,Potentiometer,IC Socket,Relay,Connector.Our parts cover such applications as commercial,industrial, and automotives areas.

We are looking forward to setting up business relationship with you and hope to provide you with the best service and solution. Let us make a better world for our industry!



Contact us

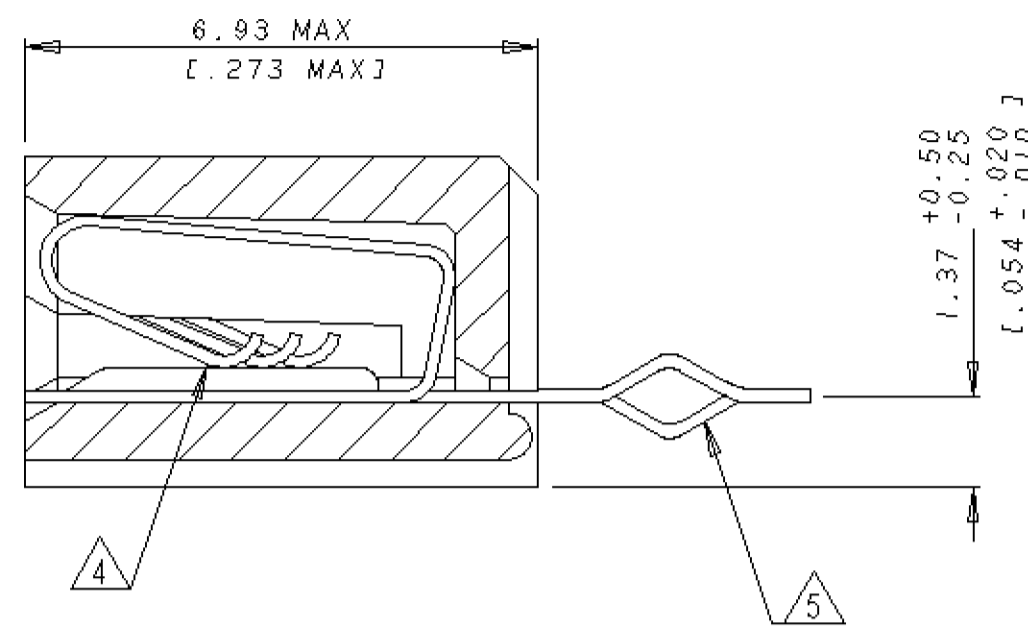
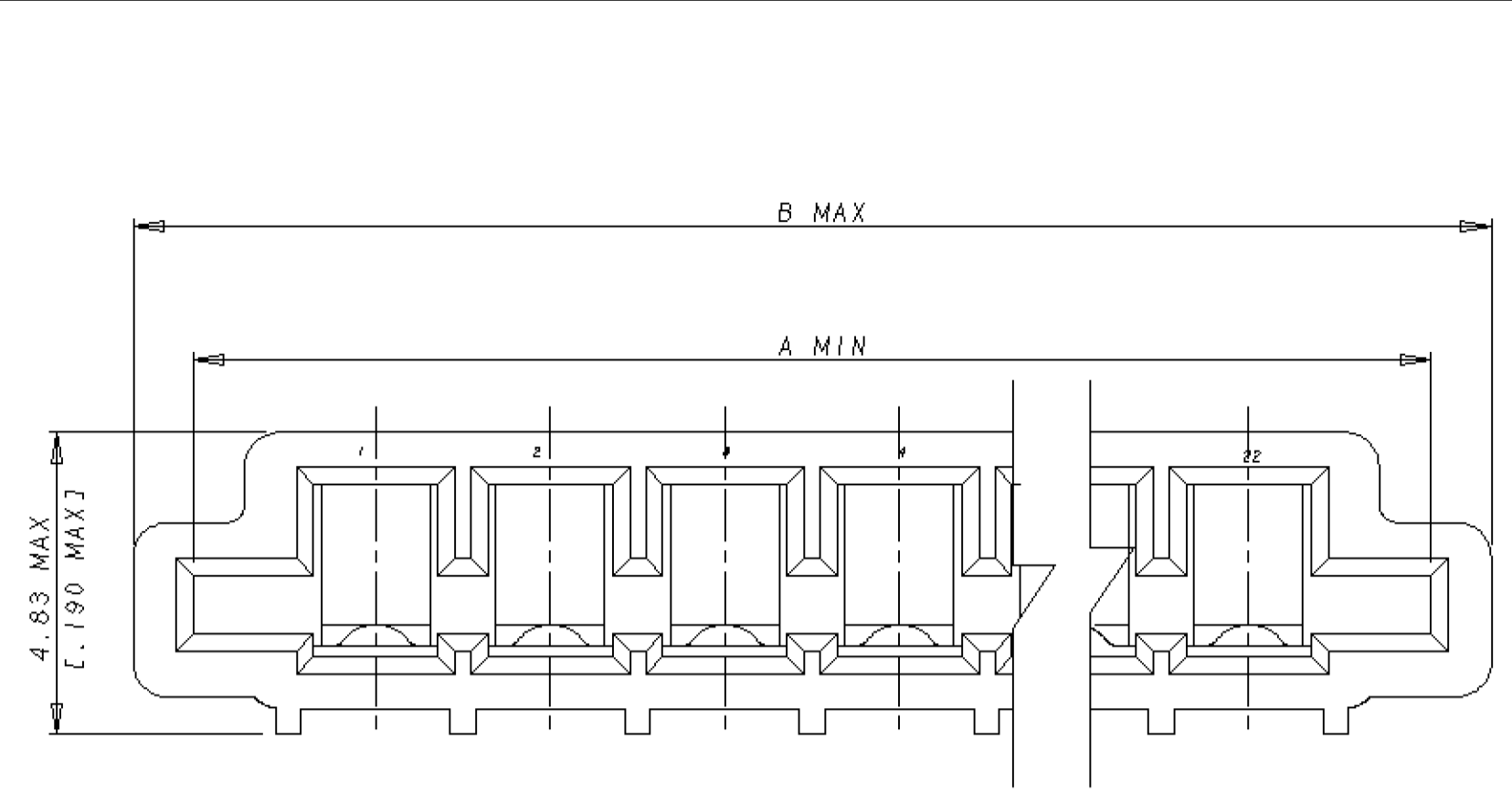
Tel: +86-755-8981 8866 Fax: +86-755-8427 6832

Email & Skype: info@chipsmall.com Web: www.chipsmall.com

Address: A1208, Overseas Decoration Building, #122 Zhenhua RD., Futian, Shenzhen, China

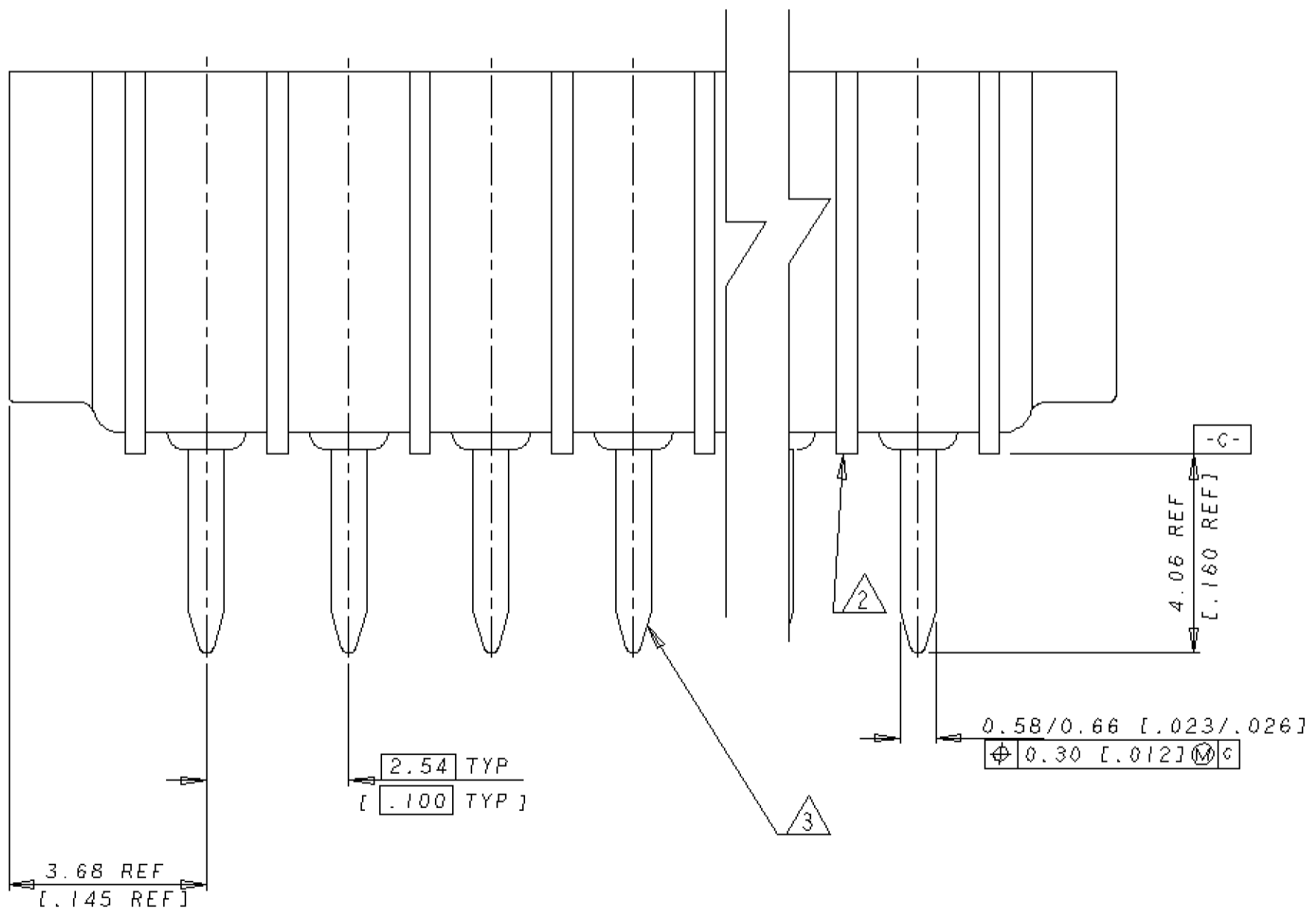


NUMBER 487509
METRIC
3/4 ANGLE PROJECTION



NOTES

- 1 CONNECTOR WILL ACCEPT FLEXIBLE PRINTED CIRCUIT OR FLAT FLEXIBLE CABLE ON 2.54 [1.00] CENTERS IN A THICKNESS RANGE OF 0.127 TO 0.381 [0.005 TO .015] IN CONTACT AREA
- 2 STAND-OFFS PREVENT SOLVENT ENTRAPMENT
- 3 LEAD-IN ON PINS FOR EASE OF INSERTION INTO BOARD
- 4 SEQUENTIAL CONTACTS REDUCE CABLE INSERTION FORCE
- 5 ALTERNATING CONTACT FORM RETAINS CONNECTOR IN P.C. BOARD DURING SOLDER OPERATION
- 6 ACCEPTS CABLE OR CIRCUITRY WITH EXPOSED CONDUCTORS FACING TOWARD OR AWAY FROM THE BOARD SURFACE
- 7 REFER TO APPLICATION SPEC 114-2062
- 8 MATERIAL
HOUSING : GLASS REINFORCED POLYESTER
THERMOPLASTIC UL 94 VO RATED, BLACK
CONTACT : PHOSPHOR BRONZE
- 9 CONNECTOR IS HIGH NORMAL PROCE
- 10 MATTE TIN 0.005 [0.0002] MIN THK OVER COPPER 0.003 [0.00015] MIN THK ON ENTIRE CONTACT
- 11 OBSOLETE PARTS: OBSOLETE CIS STREAMLINING PER D.RENAUD/D.SINISI



LEAD FREE					SUPERSEDED	
OBSOLETE	7- 487509-1	60.78 [2.393]	58.57 [2.306]	22		2-487509-1
11	OBSOLETE 7- 487509-0	58.24 [2.293]	56.03 [2.206]	21		2-487509-0
	6- 487509-9	55.70 [2.193]	53.49 [2.106]	20		1-487509-9
	6- 487509-8	53.16 [2.093]	50.95 [2.006]	19		1-487509-8
11	OBSOLETE 6- 487509-7	50.62 [1.993]	48.41 [1.906]	18		1-487509-7
	6- 487509-6	48.08 [1.893]	45.87 [1.806]	17		1-487509-6
	OBSOLETE 6- 487509-5	45.54 [1.793]	43.33 [1.706]	16		1-487509-5
11	OBSOLETE 6- 487509-4	43.00 [1.693]	40.79 [1.606]	15		1-487509-4
	6- 487509-3	40.46 [1.593]	38.25 [1.506]	14		1-487509-3
11	OBSOLETE 6- 487509-2	37.92 [1.493]	35.71 [1.406]	13		1-487509-2
	6- 487509-1	35.38 [1.393]	33.17 [1.306]	12		1-487509-1
	6- 487509-0	32.84 [1.293]	30.63 [1.206]	11		1-487509-0
OBSOLETE	5- 487509-9	30.30 [1.193]	28.09 [1.106]	10		487509-9
	5- 487509-8	27.76 [1.093]	25.55 [1.006]	9		487509-8
	5- 487509-7	25.22 [.993]	23.01 [.906]	8		487509-7
	5- 487509-6	22.68 [.893]	20.47 [.806]	7		487509-6
	5- 487509-5	20.14 [.793]	17.93 [.706]	6		487509-5
	5- 487509-4	17.60 [.693]	15.39 [.606]	5		487509-4
	5- 487509-3	15.06 [.593]	12.85 [.506]	4		487509-3
	5- 487509-2	12.52 [.493]	10.31 [.406]	3		487509-2
	5- 487509-1	9.98 [.393]	7.77 [.306]	2		487509-1
	PART NO	B	A	POS		PART NO

E3 ECR-10-022530		KK	HMR	07EB11	(WIRE RANGE)	(INSULATION DIA.)	(NAME)	TRIO-MATE	
E2 REVISED PER ECO-09-026346		KK	AEG	27NOV09	mm ² (AWG -)	- mm		VERTICAL CABLE ENTRY	
E1 REVISED AS PER ECR-08-04332		PM	KS	21FEB06	(MATERIAL)	(FINISH)		FOR 1.57[.062] THK P.C. BOARD	
E REVISED PROO-0011-04		SD	PCH	19FEB04	8	10	(GENERAL TOLERANCE)	SIZE LOC	(No.)
D REVISED FP08-0003-01		LWY	TAP	03JAN01	DR. WYLEE 30.7.99	DE. A.SOH	±0.38	A2 DY	487509
LTR (REVISION RECORD)		DR	CHK	DATE	CHK. SALLY 30.7.99	APP. RICHARD TAN	[±.015]	(SCALE) 10:1	REV. E3 SHEET 1 OF 1

(CUSTOMER DRAWING)

DIMENSIONS IN MM [INCHES]. DO NOT SCALE PRINT