



Chipsmall Limited consists of a professional team with an average of over 10 year of expertise in the distribution of electronic components. Based in Hongkong, we have already established firm and mutual-benefit business relationships with customers from,Europe,America and south Asia,supplying obsolete and hard-to-find components to meet their specific needs.

With the principle of "Quality Parts,Customers Priority,Honest Operation,and Considerate Service",our business mainly focus on the distribution of electronic components. Line cards we deal with include Microchip,ALPS,ROHM,Xilinx,Pulse,ON,Everlight and Freescale. Main products comprise IC,Modules,Potentiometer,IC Socket,Relay,Connector.Our parts cover such applications as commercial,industrial, and automotives areas.

We are looking forward to setting up business relationship with you and hope to provide you with the best service and solution. Let us make a better world for our industry!



Contact us

Tel: +86-755-8981 8866 Fax: +86-755-8427 6832

Email & Skype: info@chipsmall.com Web: www.chipsmall.com

Address: A1208, Overseas Decoration Building, #122 Zhenhua RD., Futian, Shenzhen, China



THIS DRAWING IS UNPUBLISHED.

RELEASED FOR PUBLICATION

.19

© COPYRIGHT 19

BY -

ALL RIGHTS RESERVED.

LOC

DIST

REVISIONS

DY

-

P

LTR

DESCRIPTION

DATE

DWN

APVD

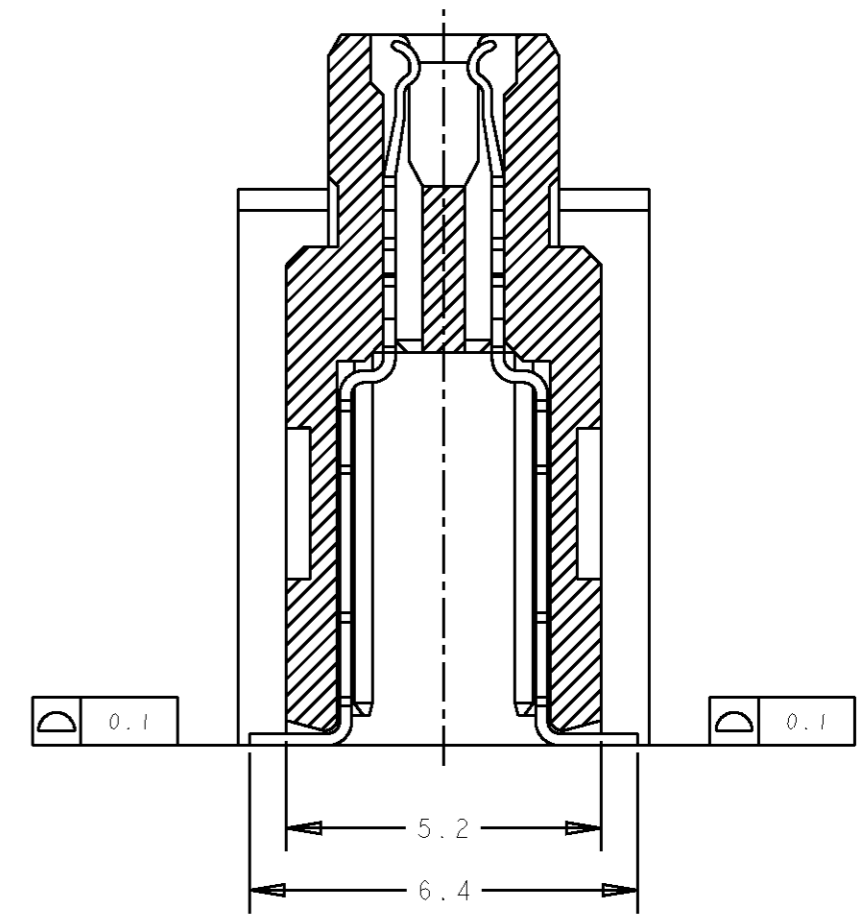
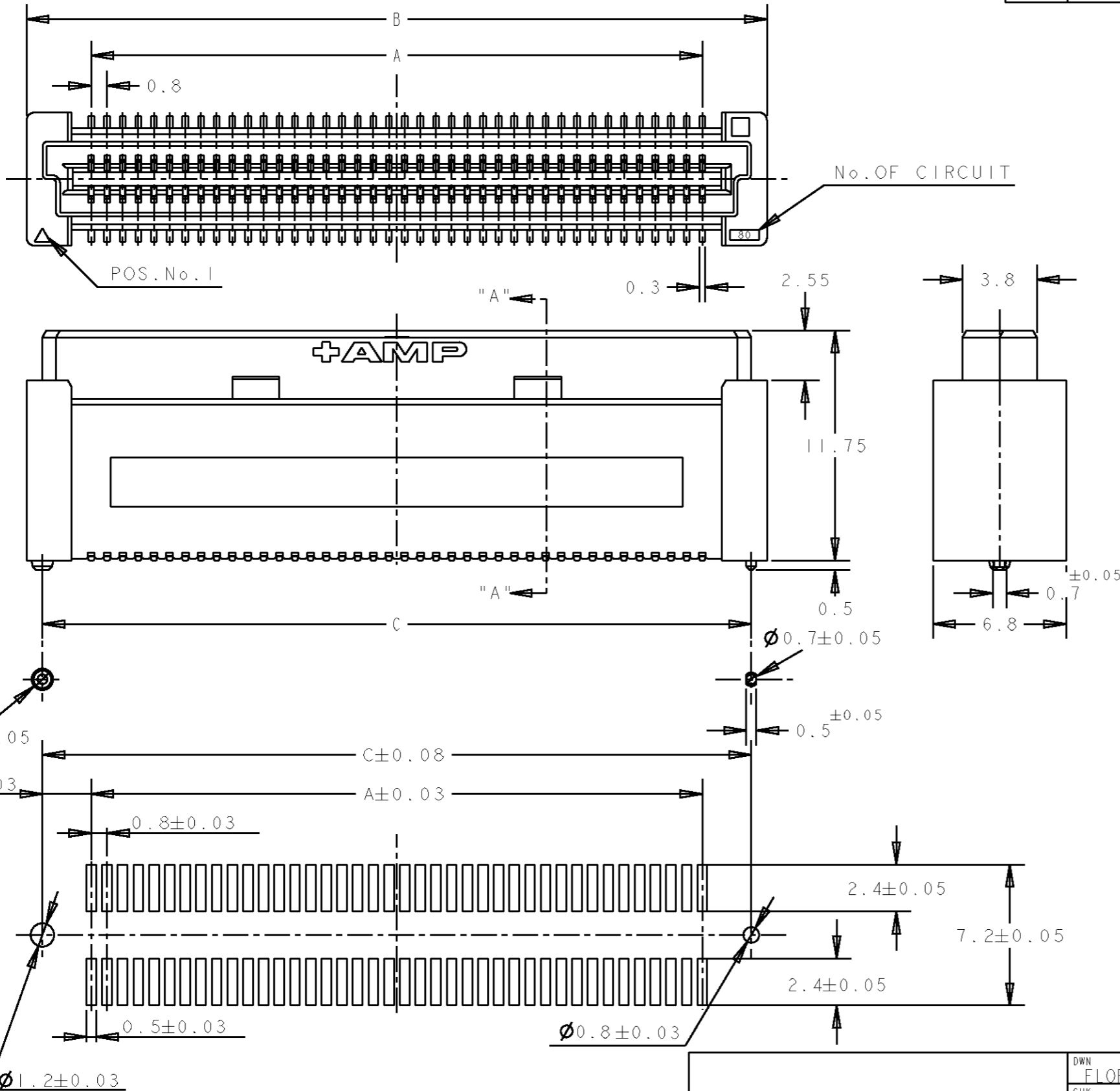
P

REVISED PER ECO-11-005139

19MAR11

RK

HMR



SECT "A" - "A"
(SCALE: 8-1)

NOTES:

1. MATERIALS:
 HOUSING: L.C.P (HIGH TEMP THERMO-PLASTIC)
 UL 94V-0, NATURAL.
 CONTACT: COPPER ALLOY.

2. FINISH:
 ENGAGEMENT AREA: 0.0002 MIN GOLD
 SOLDERING AREA: 0.0020 MIN MATTE TIN
 UNDERCOAT: 0.0013 MIN NICKEL ALL OVER

3. POSITION SERIES; SEE TABLE. (SHEET 2)

4. CONN STACK HEIGHT COMBINE OF PLUG "Y"H VS REC "X"H.
STACK HEIGHT = Y + X - 5

5. OBSOLETE PARTS: OBSOLETE CIS STREAMLINING PER D.RENAUD/D.SINISI

$\phi 1.1 \pm 0.05$

2.5 ± 0.03

0.8 ± 0.03

$C \pm 0.08$

$A \pm 0.03$

2.4 ± 0.05

7.2 ± 0.05

2.4 ± 0.05

0.5 ± 0.03

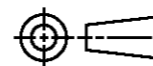
$\phi 0.8 \pm 0.03$

$\phi 1.2 \pm 0.03$

RECOMMENDED P.C. BOARD LAYOUT

DIMENSIONS:

mm



TOLERANCES UNLESS OTHERWISE SPECIFIED:

- 0 PLC ± 0.30
- 1 PLC ± 0.25
- 2 PLC ± 0.20
- 3 PLC ± 0.20
- 4 PLC ± 0.20
- ANGLES $\pm 3^\circ$

MATERIAL

FINISH



DWN 16AUG04

FLORENCE

CHK ERIC TNG

APVD SEIFONG

PRODUCT SPEC 108-5390

APPLICATION SPEC 114-5254

WEIGHT -

CUSTOMER DRAWING



NAME RECEPTACLE ASSEMBLY 13H TYPE FOR FH 0.8mm PITCH B-T-B CONNECTOR

SIZE A3

CAGE CODE 00779

DRAWING NO C-5179010

SCALE 4:1 SHEET 1 OF 2 REV P

4

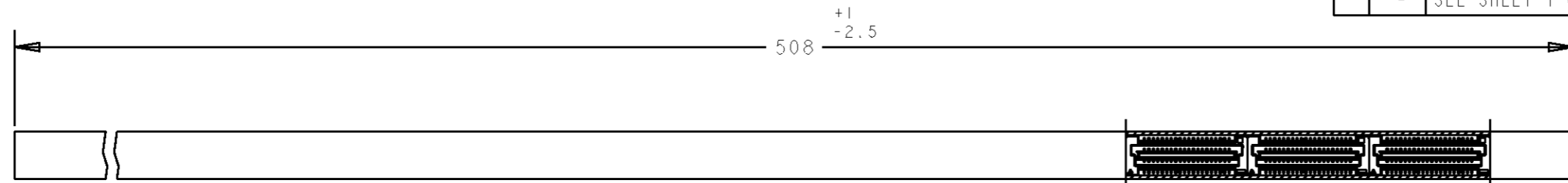
3

2

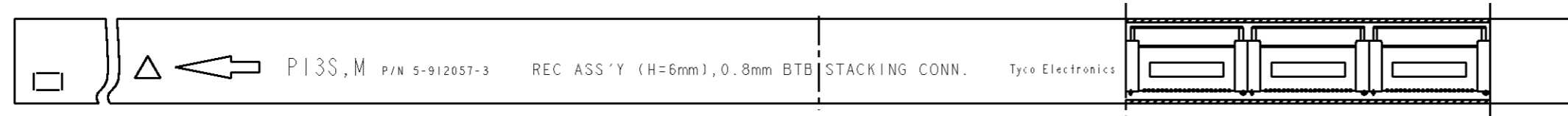
1

THIS DRAWING IS UNPUBLISHED. RELEASED FOR PUBLICATION .19 .
 BY - ALL RIGHTS RESERVED.

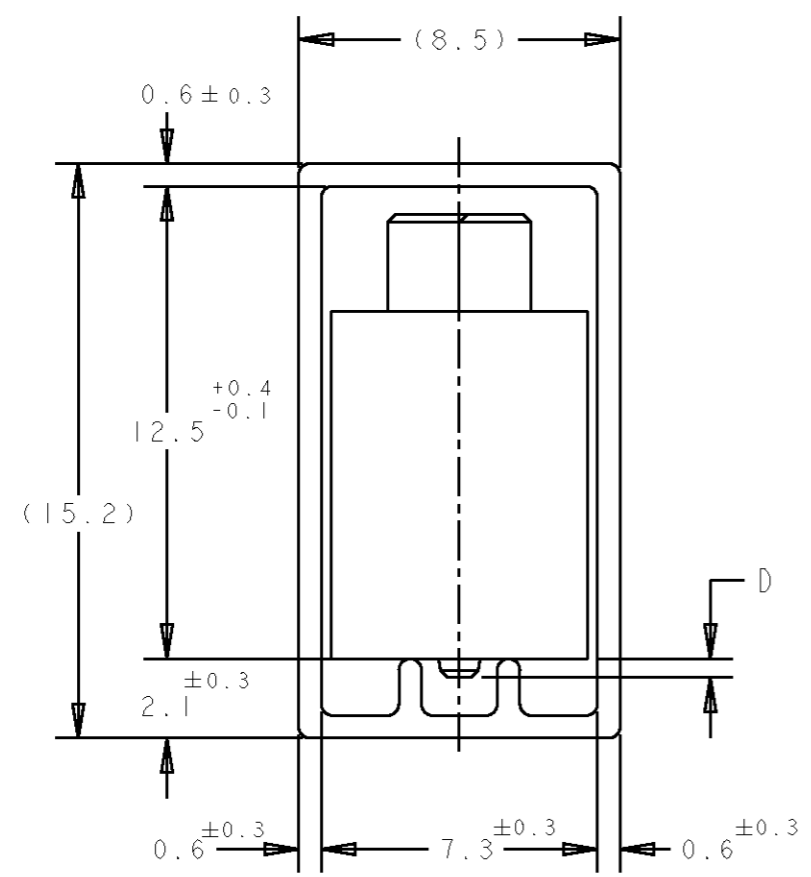
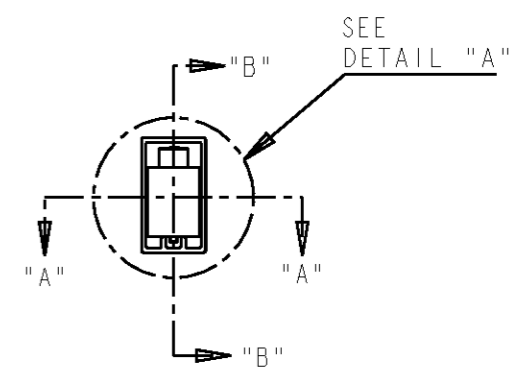
LOC DY	DIST -	REVISIONS			
P	LTR	DESCRIPTION	DATE	DWN	APVD
	-	SEE SHEET 1 OF 2	-	-	-



SECT "A" - "A"



SECT "B" - "B"



DETAIL "A"
(SCALE 5-1)

5 OBSOLETE

	84.20	85.80	79.20	200	6-	-0
	76.20	77.80	71.20	180	5-	-9
	68.20	69.80	63.20	160	5-	-8
	60.20	61.80	55.20	140	5-	-6
	52.20	53.80	47.20	120	5-	-5
	44.20	45.80	39.20	100	5-	-4
	36.20	37.80	31.20	80	5-	-3
	28.20	29.80	23.20	60	5-	-2
0.5	20.20	21.80	15.20	40	5-	-1
	84.20	85.80	79.20	200	1-	-0
	76.20	77.80	71.20	180		-9
	68.20	69.80	63.20	160		-8
	60.20	61.80	55.20	140		-6
	52.20	53.80	47.20	120		-5
	44.20	45.80	39.20	100		-4
	36.20	37.80	31.20	80		-3
	28.20	29.80	23.20	60		-2
0.8	20.20	21.80	15.20	40		5179010-1
D	C	B	A	POS.	PART No.	

DWN FLORENCE TAN 16AUG04		STE TE Connectivity	
CHK ERIC TNG			
APVD SEI FONG		NAME RECEPTACLE ASSEMBLY 13H TYPE FOR FH 0.8mm PITCH B-T-B CONNECTOR	
PRODUCT SPEC 108-5390		SIZE A3	CAGE CODE 00779
APPLICATION SPEC 114-5254		DRAWING NO C-5179010	
MATERIAL △		WEIGHT -	
TOLERANCES UNLESS OTHERWISE SPECIFIED: 0 PLC ±- 1 PLC ±0.30 2 PLC ±0.25 3 PLC ±0.20 4 PLC ±- ANGLES ±3°		SCALE 4:1 SHEET 2 OF 2 REV P	
FINISH △		CUSTOMER DRAWING	