



Chipsmall Limited consists of a professional team with an average of over 10 year of expertise in the distribution of electronic components. Based in Hongkong, we have already established firm and mutual-benefit business relationships with customers from,Europe,America and south Asia,supplying obsolete and hard-to-find components to meet their specific needs.

With the principle of “Quality Parts,Customers Priority,Honest Operation,and Considerate Service”,our business mainly focus on the distribution of electronic components. Line cards we deal with include Microchip,ALPS,ROHM,Xilinx,Pulse,ON,Everlight and Freescale. Main products comprise IC,Modules,Potentiometer,IC Socket,Relay,Connector.Our parts cover such applications as commercial,industrial, and automotives areas.

We are looking forward to setting up business relationship with you and hope to provide you with the best service and solution. Let us make a better world for our industry!



Contact us

Tel: +86-755-8981 8866 Fax: +86-755-8427 6832

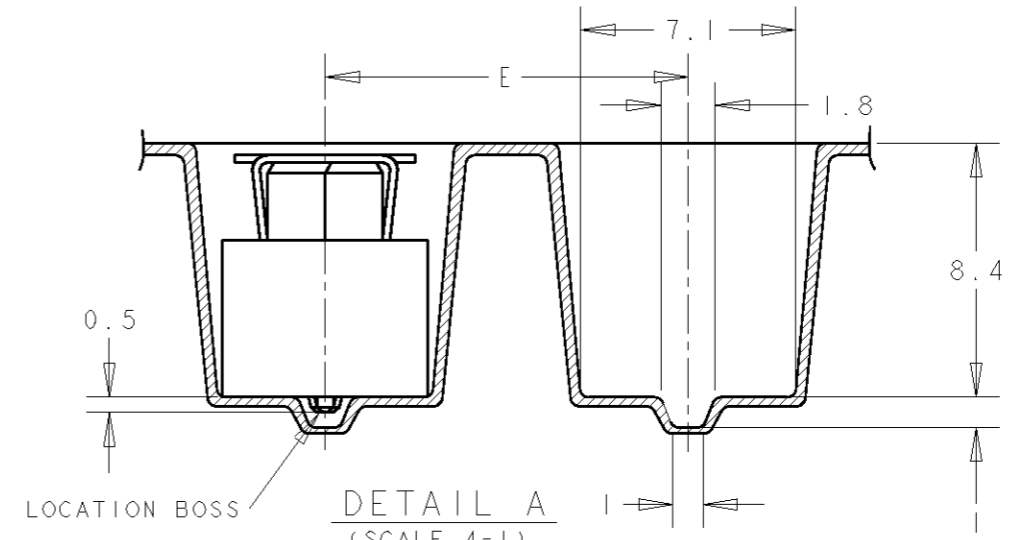
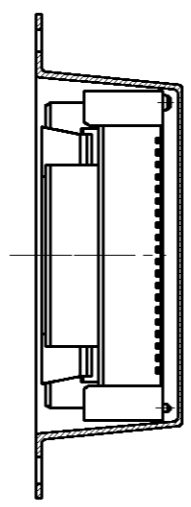
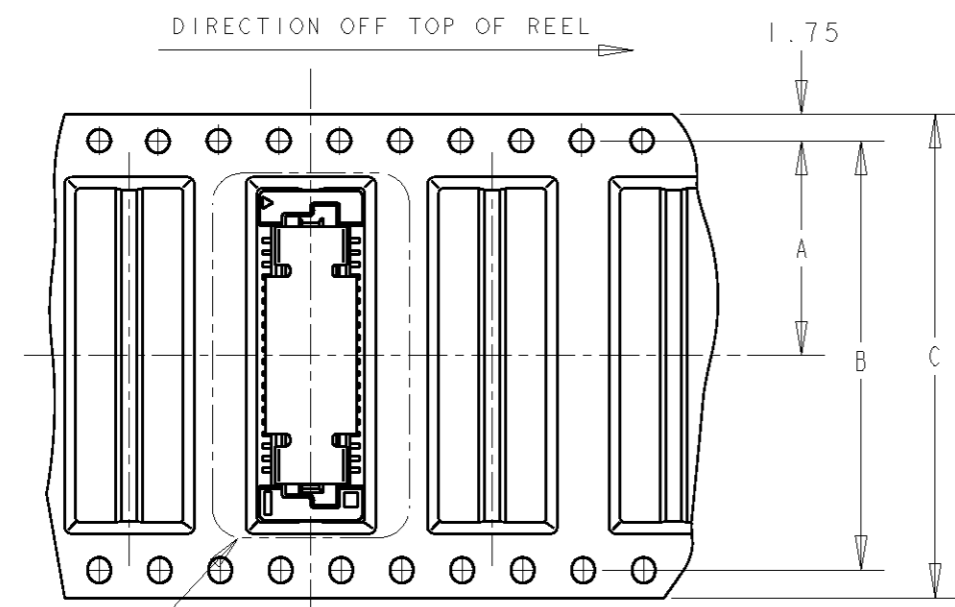
Email & Skype: info@chipsmall.com Web: www.chipsmall.com

Address: A1208, Overseas Decoration Building, #122 Zhenhua RD., Futian, Shenzhen, China

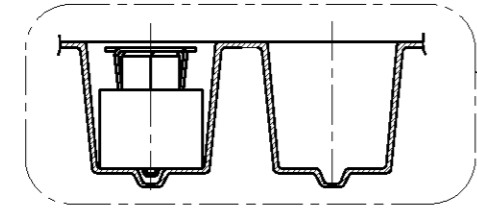


THIS DRAWING IS UNPUBLISHED. RELEASED FOR PUBLICATION .19 .
 BY - ALL RIGHTS RESERVED.

LOC	DIST	REVISIONS					
DY	-	P	LTR	DESCRIPTION	DATE	DWN	APVD
		B1		REVISED PER ECO-11-005139	19MAR11	RK	HMR

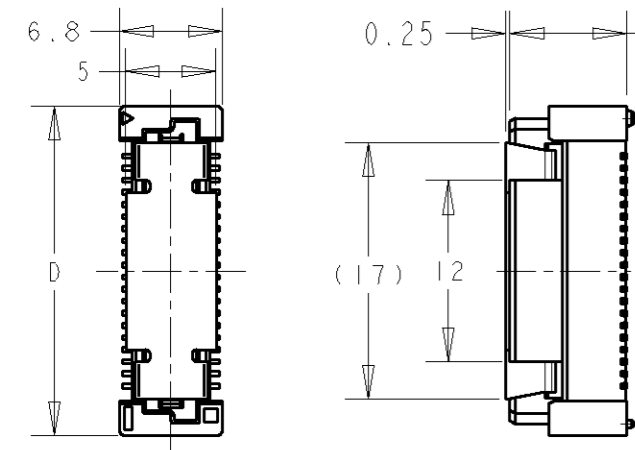
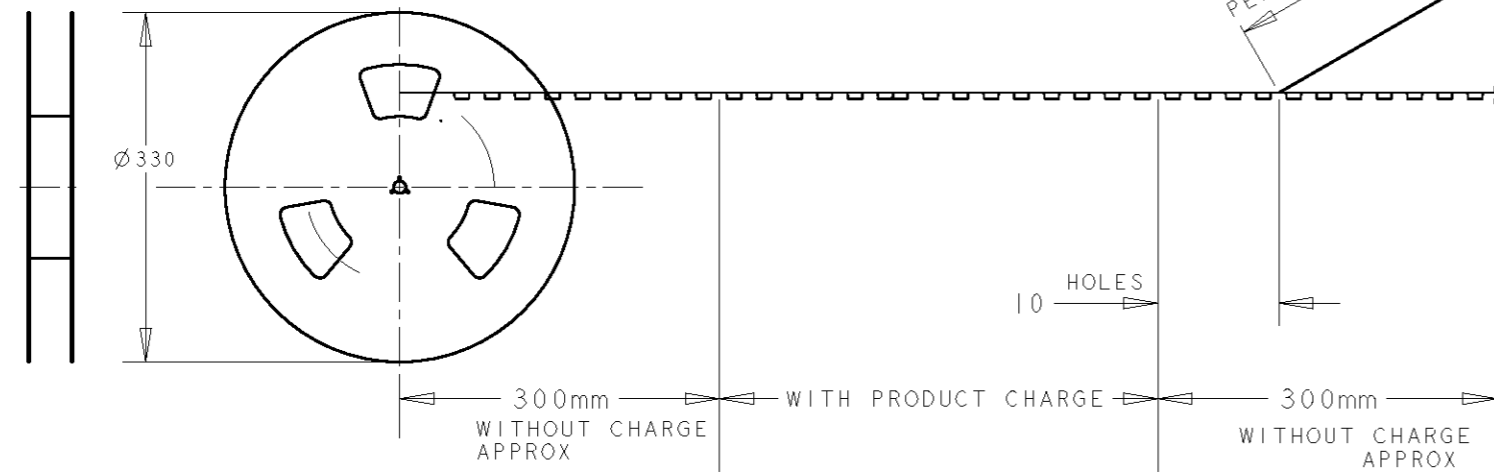


DETAIL B



DETAIL A

WINDING THE COVER TAPE
 AROUND THE OUTER
 PERIPHERY IN A TURN.



DETAIL B

- NOTES:
- 1 0.00076 MIN GOLD PLATING. (30u INCHES GOLD PLATING)
 - 2 0.00020 MIN GOLD PLATING. (Au FLASH PLATING)
 - 3 0.00038 MIN GOLD PLATING. (15u INCHES GOLD PLATING)

REMARKS	QTY	E	D	C	B	A	POS	CONN P/N	PART NO		
1	400	16	61.8	88	84.4	42.2	140	-6	7-	-6	
	400	16	53.8	72	68.4	34.2	120	-5	7-	-5	
	400	16	45.8	72	68.4	34.2	100	-4	7-	-4	
	500	12	37.8	56	52.4	26.2	80	-3	7-	-3	
	500	12	29.8	44	40.4	20.2	60	-2	7-	-2	
	500	12	21.8	32	28.4	14.2	40	5084613-1	7-5179180-1		
2	400	16	61.8	88	84.4	42.2	140	5-	-6	5-	-6
	400	16	53.8	72	68.4	34.2	120	5-	-5	5-	-5
	400	16	45.8	72	68.4	34.2	100	5-	-4	5-	-4
	500	12	37.8	56	52.4	26.2	80	5-	-3	5-	-3
	500	12	29.8	44	40.4	20.2	60	5-	-2	5-	-2
	500	12	21.8	32	28.4	14.2	40	5-5179009-1	5-5179180-1		
3	400	16	61.8	88	84.4	42.2	140	-6	3-	-6	
	400	16	53.8	72	68.4	34.2	120	-5	3-	-5	
	400	16	45.8	72	68.4	34.2	100	-4	3-	-4	
	500	12	37.8	56	52.4	26.2	80	-3	3-	-3	
	500	12	29.8	44	40.4	20.2	60	-2	3-	-2	
	500	12	21.8	32	28.4	14.2	40	1735859-1	3-5179180-1		

DOWNSIDE: FLORENCE TAN 14SEP04		TE Connectivity	
CHECKED: ERIC TNG			
APPROVED: SEIFONG		NAME: REC ASS'Y 9H TYPE (0.5 BOSS L) FOR FH 0.8mm B-T-B CONN, ON TAPING	
DIMENSIONS: mm		PRODUCT SPEC: -	
TOLERANCES UNLESS OTHERWISE SPECIFIED:		APPLICATION SPEC: -	
0 PLC ±0.2		SIZE: A3	
1 PLC ±0.25		CAGE CODE: 00779	
2 PLC ±0.25		DRAWING NO: C-5179180	
3 PLC ±0.3		SCALE: 2:1	
4 PLC ±0.3		SHEET: 1 OF 1	
ANGLES ±3°		REV: B1	
FINISH: -		CUSTOMER DRAWING	