

Chipsmall Limited consists of a professional team with an average of over 10 year of expertise in the distribution of electronic components. Based in Hongkong, we have already established firm and mutual-benefit business relationships with customers from,Europe,America and south Asia,supplying obsolete and hard-to-find components to meet their specific needs.

With the principle of “Quality Parts,Customers Priority,Honest Operation,and Considerate Service”,our business mainly focus on the distribution of electronic components. Line cards we deal with include Microchip,ALPS,ROHM,Xilinx,Pulse,ON,Everlight and Freescale. Main products comprise IC,Modules,Potentiometer,IC Socket,Relay,Connector.Our parts cover such applications as commercial,industrial, and automotives areas.

We are looking forward to setting up business relationship with you and hope to provide you with the best service and solution. Let us make a better world for our industry!



Contact us

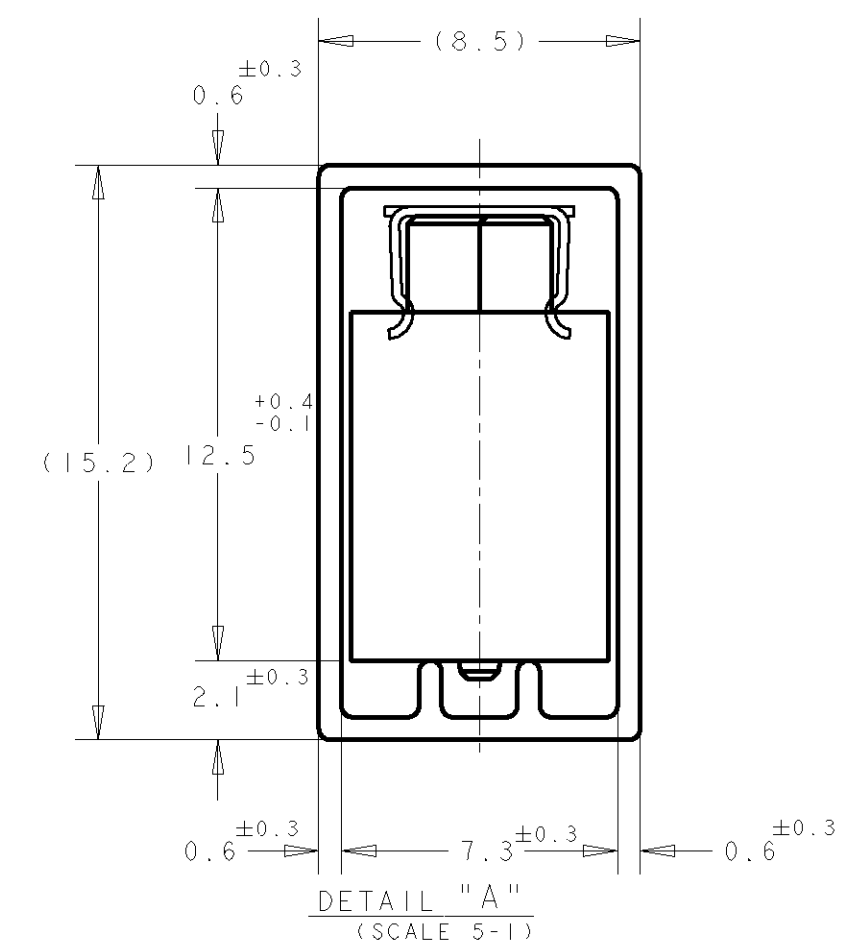
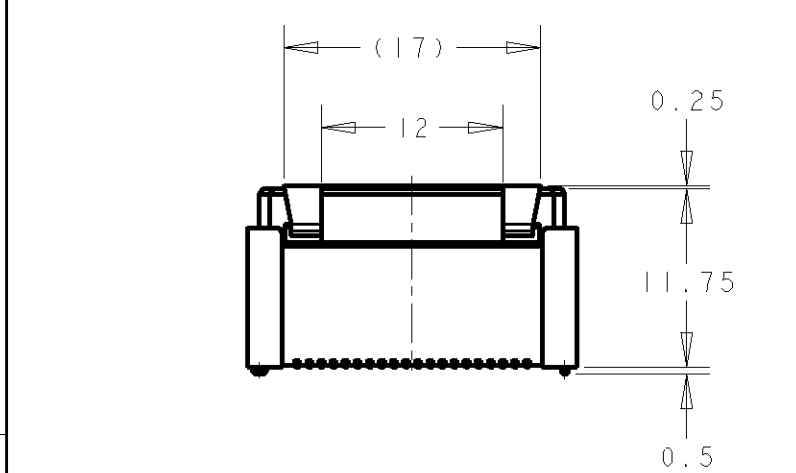
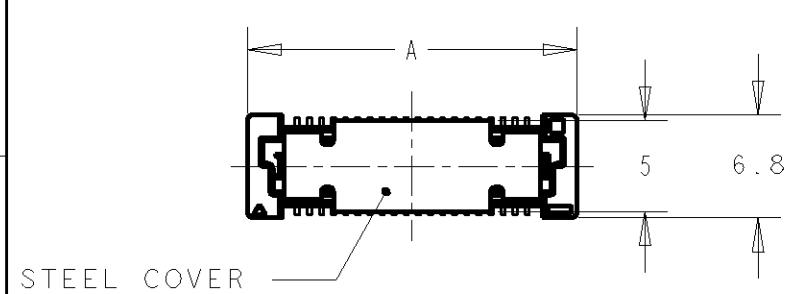
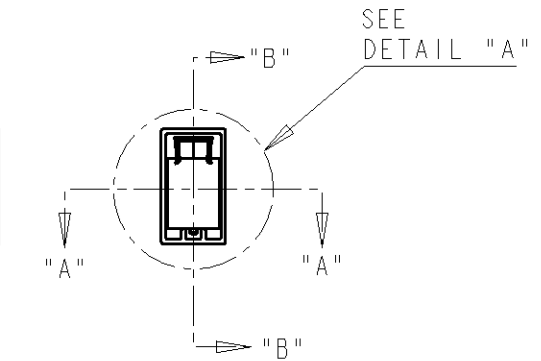
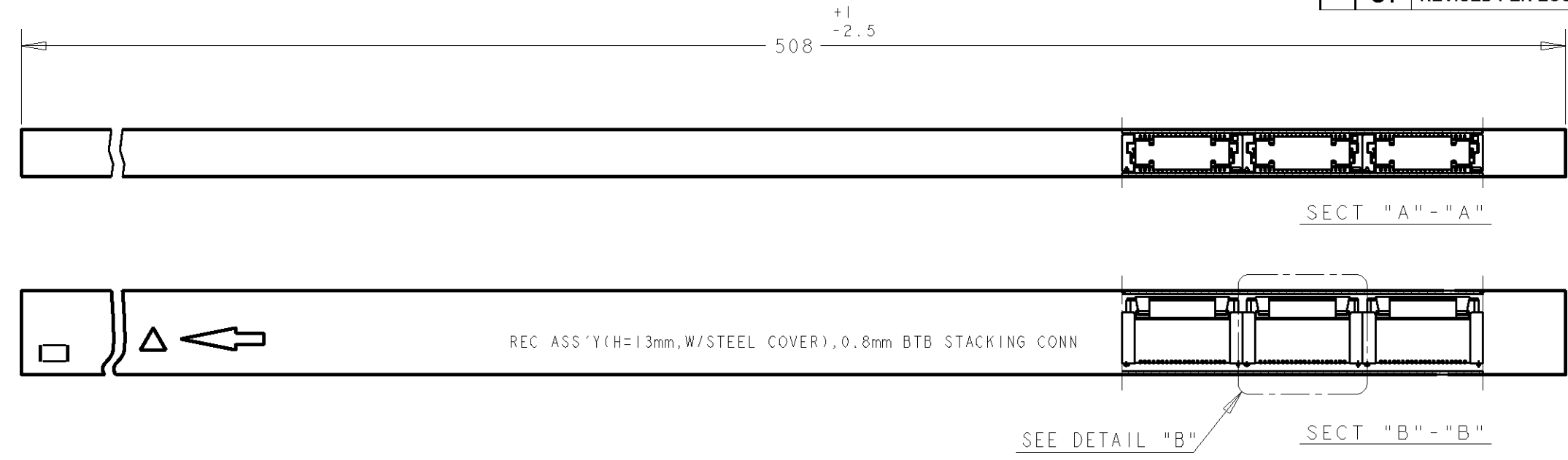
Tel: +86-755-8981 8866 Fax: +86-755-8427 6832

Email & Skype: info@chipsmall.com Web: www.chipsmall.com

Address: A1208, Overseas Decoration Building, #122 Zhenhua RD., Futian, Shenzhen, China

THIS DRAWING IS UNPUBLISHED. RELEASED FOR PUBLICATION .19 .
 © COPYRIGHT 19 BY AMP INCORPORATED. ALL RIGHTS RESERVED.

LOC	DIST	REVISIONS					
DY	-	P	LTR	DESCRIPTION	DATE	DWN	APVD
		O1		REVISED PER ECO-10-000445	11JAN10	KK	AEQ



1 OBSOLETE
 1 OBSOLETE
 OBSOLETE

5	85.8	6-	-0	200	6-	-0
6	77.8	5-	-9	180	5-	-9
6	69.8	5-	-8	160	5-	0
7	61.8	5-	-6	140	5-	-6
9	53.8	5-	-5	120	5-	5
10	45.8	5-	-4	100	5-	-4
12	37.8	5-	-3	80	5-	3
16	29.8	5-	-2	60	5-	2
22	21.8	5-5179010-1		40	5-5179233-1	
QTY / TUBE	A	CONN P/N	POS.	PART NO.		

1 OBSOLETE PARTS: OBSOLETE CIS STREAMLINING PER D.RENAUD/D.SINISI

<small>THIS DRAWING IS A CONTROLLED DOCUMENT FOR AMP INCORPORATED. IT IS SUBJECT TO CHANGE AND THE CONTROLLING ENGINEERING ORGANIZATION SHOULD BE CONTACTED FOR THE LATEST REVISION.</small>		DWN 03SEP04 FLORENCE TAN CHK ERIC TNG APVD SEIFONG PRODUCT SPEC - APPLICATION SPEC - WEIGHT - CUSTOMER DRAWING	tyco Electronics Tyco Electronics (Singapore) Pte. Ltd. NAME REC ASS'Y 13H TYPE WITH STEEL COVER (TUBE PACK) FOR FH 0.8mm PITCH B-T-B CONNECTOR SIZE A3 CAGE CODE 00779 DRAWING NO C-5179233
DIMENSIONS: mm 	TOLERANCES UNLESS OTHERWISE SPECIFIED: 0 PLC ±- 1 PLC ±0.20 2 PLC ±0.25 3 PLC ±0.30 4 PLC ±- ANGLES ±3°	MATERIAL - FINISH -	SCALE : SHEET OF REV O1

PROJ No. 593-312