



Chipsmall Limited consists of a professional team with an average of over 10 year of expertise in the distribution of electronic components. Based in Hongkong, we have already established firm and mutual-benefit business relationships with customers from,Europe,America and south Asia,supplying obsolete and hard-to-find components to meet their specific needs.

With the principle of “Quality Parts,Customers Priority,Honest Operation,and Considerate Service”,our business mainly focus on the distribution of electronic components. Line cards we deal with include Microchip,ALPS,ROHM,Xilinx,Pulse,ON,Everlight and Freescale. Main products comprise IC,Modules,Potentiometer,IC Socket,Relay,Connector.Our parts cover such applications as commercial,industrial, and automotives areas.

We are looking forward to setting up business relationship with you and hope to provide you with the best service and solution. Let us make a better world for our industry!



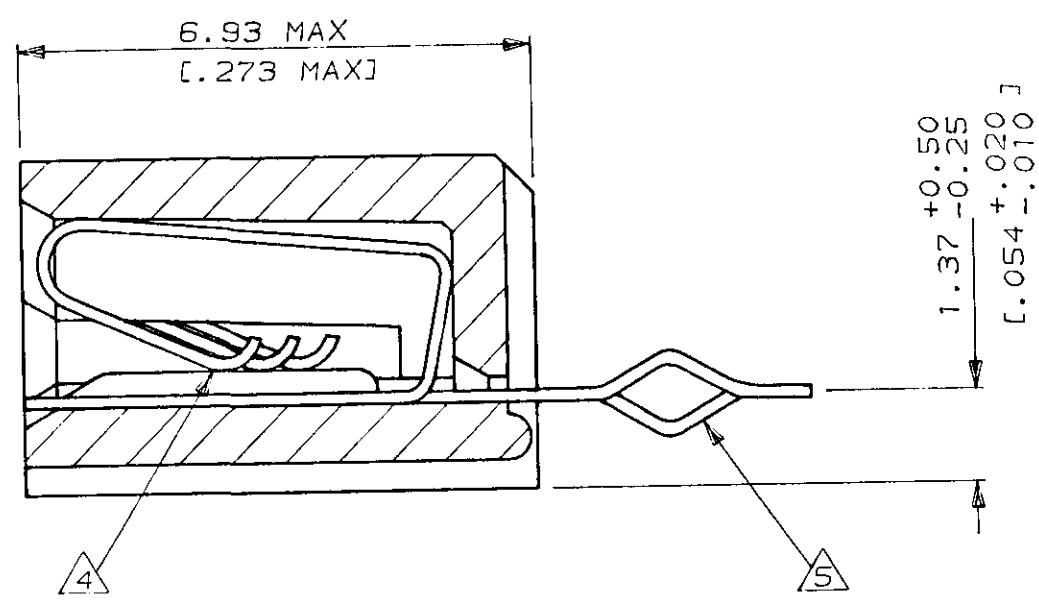
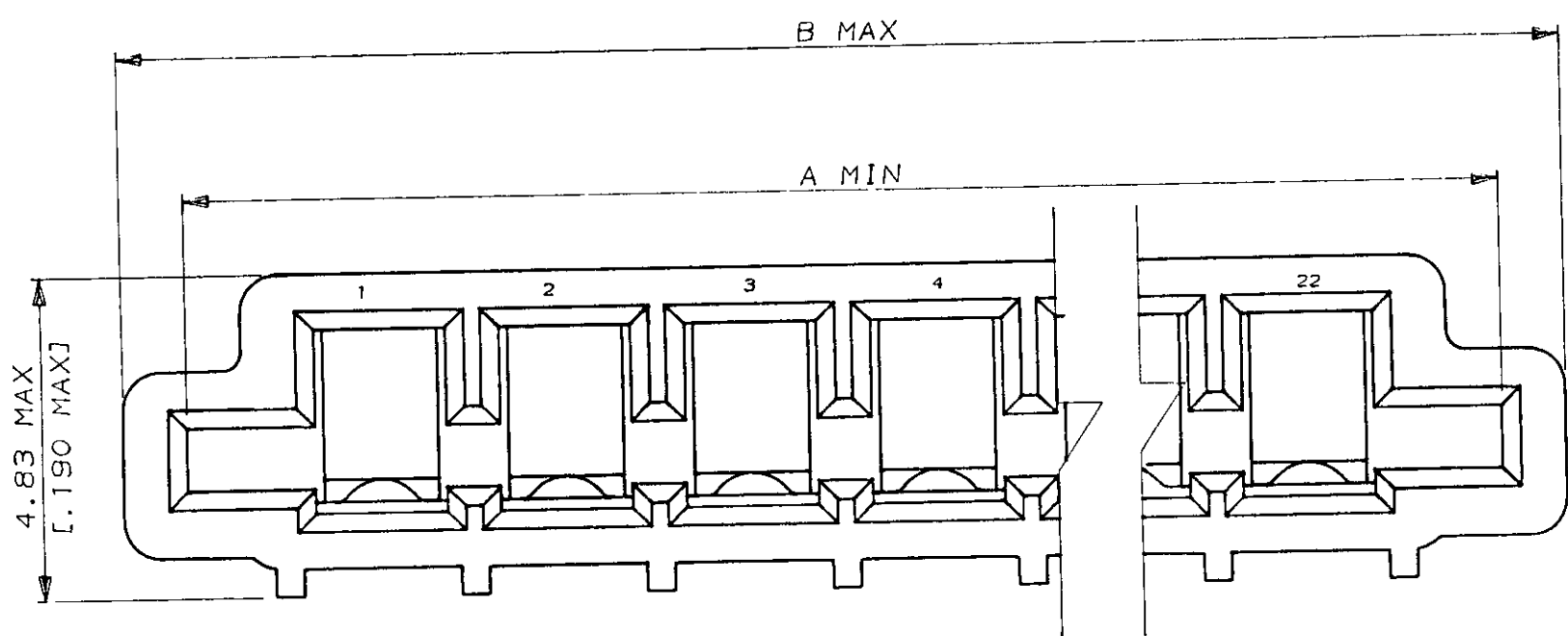
## Contact us

Tel: +86-755-8981 8866 Fax: +86-755-8427 6832

Email & Skype: info@chipsmall.com Web: www.chipsmall.com

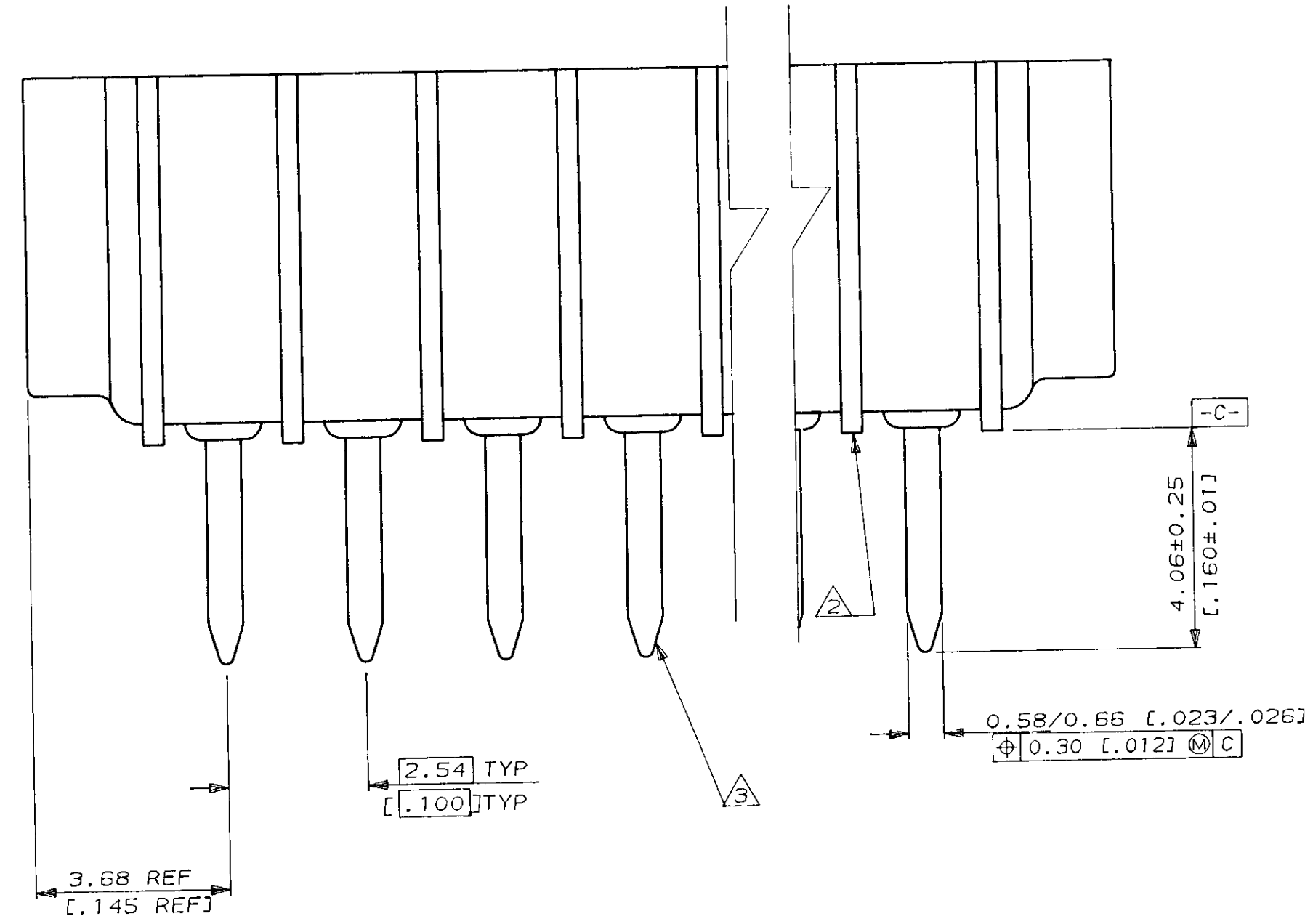
Address: A1208, Overseas Decoration Building, #122 Zhenhua RD., Futian, Shenzhen, China





NOTES

- 1 CONNECTOR WILL ACCEPT FLEXIBLE PRINTED CIRCUIT OR FLAT FLEXIBLE CABLE ON 2.54 [1.00] CENTERS IN A THICKNESS RANGE OF 0.127 TO 0.381 [0.005 TO .015] IN CONTACT AREA
- 2 STAND-OFFS PREVENT SOLVENT ENTRAPMENT
- 3 LEAD-IN ON PINS FOR EASE OF INSERTION INTO BOARD
- 4 SEQUENTIAL CONTACTS REDUCE CABLE INSERTION FORCE
- 5 ALTERNATING CONTACT FORM RETAINS CONNECTOR IN P.C. BOARD DURING SOLDER OPERATION
- 6 ACCEPTS CABLE OR CIRCUITRY WITH EXPOSED CONDUCTORS FACING TOWARD OR AWAY FROM THE BOARD SURFACE
- 7 REFER TO APPLICATION SPEC 114-2062
- 8 MATERIAL  
HOUSING : GLASS REINFORCED POLYESTER THERMOPLASTIC UL 94 VO RATED, BLACK  
CONTACT : PHOS BRONZE WITH MATTE TIN FINISH.
- 9 OBSOLETE PARTS: OBSOLETE CIS STREAMLINING PER D.RENAUD/D.SINISI



LEAD FREE	SUPERSEDED			
PART NO	B	A	POS	PART NO
7- 520316-2	60.78 [ 2.393]	58.57 [ 2.306]	22	2-520316-2
7- 520316-1	58.24 [ 2.293]	56.03 [ 2.206]	21	2-520316-1
7- 520316-0	55.70 [ 2.193]	53.49 [ 2.106]	20	2-520316-0
6- 520316-9	53.16 [ 2.093]	50.95 [ 2.006]	19	1-520316-9
6- 520316-8	50.62 [ 1.993]	48.41 [ 1.906]	18	1-520316-8
6- 520316-7	48.08 [ 1.893]	45.87 [ 1.806]	17	1-520316-7
6- 520316-6	45.54 [ 1.793]	43.33 [ 1.706]	16	1-520316-6
6- 520316-5	43.00 [ 1.693]	40.79 [ 1.606]	15	1-520316-5
6- 520316-4	40.46 [ 1.593]	38.25 [ 1.506]	14	1-520316-4
6- 520316-3	37.92 [ 1.493]	35.71 [ 1.406]	13	1-520316-3
6- 520316-2	35.38 [ 1.393]	33.17 [ 1.306]	12	1-520316-2
5- 520316-1	32.84 [ 1.293]	30.63 [ 1.206]	11	1-520316-1
6- 520316-0	30.30 [ 1.193]	28.09 [ 1.106]	10	1-520316-0
5- 520316-9	27.76 [ 1.093]	25.55 [ 1.006]	9	520316-9
5- 520316-8	25.22 [ .993]	23.01 [ .906]	8	520316-8
5- 520316-7	22.68 [ .893]	20.47 [ .806]	7	520316-7
5- 520316-6	20.14 [ .793]	17.93 [ .706]	6	520316-6
5- 520316-5	17.60 [ .693]	15.39 [ .606]	5	520316-5
5- 520316-4	15.06 [ .593]	12.85 [ .506]	4	520316-4
5- 520316-3	12.52 [ .493]	10.31 [ .406]	3	520316-3
5- 520316-2	9.98 [ .393]	7.77 [ .306]	2	520316-2

Copyright ©1993 AMP MFG (S) PTE LTD. ALL RIGHTS RESERVED.

**AMP** AMP MANUFACTURING (S) PRIVATE LIMITED

TRIO-MATE VERTICAL CABLE ENTRY FOR 2.36[.093] THK P.C. BOARD

R2	REVISED PER ECO-09-026346	KK	AEG	28NOV90	(WIRE RANGED)	(INSULATION DIA.)	(NAME)
R1	REVISED ECR-06-004332	PM	KS	21FEB88	mm <sup>2</sup> (AWG - )	- mm <sup>2</sup>	
R	REVISED FR00-0011-04	SD	PC	18FEB84	(MATERIAL)	(FINISH) CONTACTS MATTE TIN/LEAD PLATED	
Q	REDRAWN BY/EC/ 0799	LWY	SL	30.7.93	DR. WYLEE	DE. A. SOH	(GENERAL TOLERANCE) ±.38 [±.015]
LTR	(REVISION RECORD)	DR	CHK	DATE	CHK. SALLY	APP. PETER de JONG	SIZE LOC (No.) A2DY 520316 (SCALE) 10:1 REV. R2 SHEET 1 OF 1