



Chipsmall Limited consists of a professional team with an average of over 10 year of expertise in the distribution of electronic components. Based in Hongkong, we have already established firm and mutual-benefit business relationships with customers from,Europe,America and south Asia,supplying obsolete and hard-to-find components to meet their specific needs.

With the principle of “Quality Parts,Customers Priority,Honest Operation,and Considerate Service”,our business mainly focus on the distribution of electronic components. Line cards we deal with include Microchip,ALPS,ROHM,Xilinx,Pulse,ON,Everlight and Freescale. Main products comprise IC,Modules,Potentiometer,IC Socket,Relay,Connector.Our parts cover such applications as commercial,industrial, and automotives areas.

We are looking forward to setting up business relationship with you and hope to provide you with the best service and solution. Let us make a better world for our industry!



Contact us

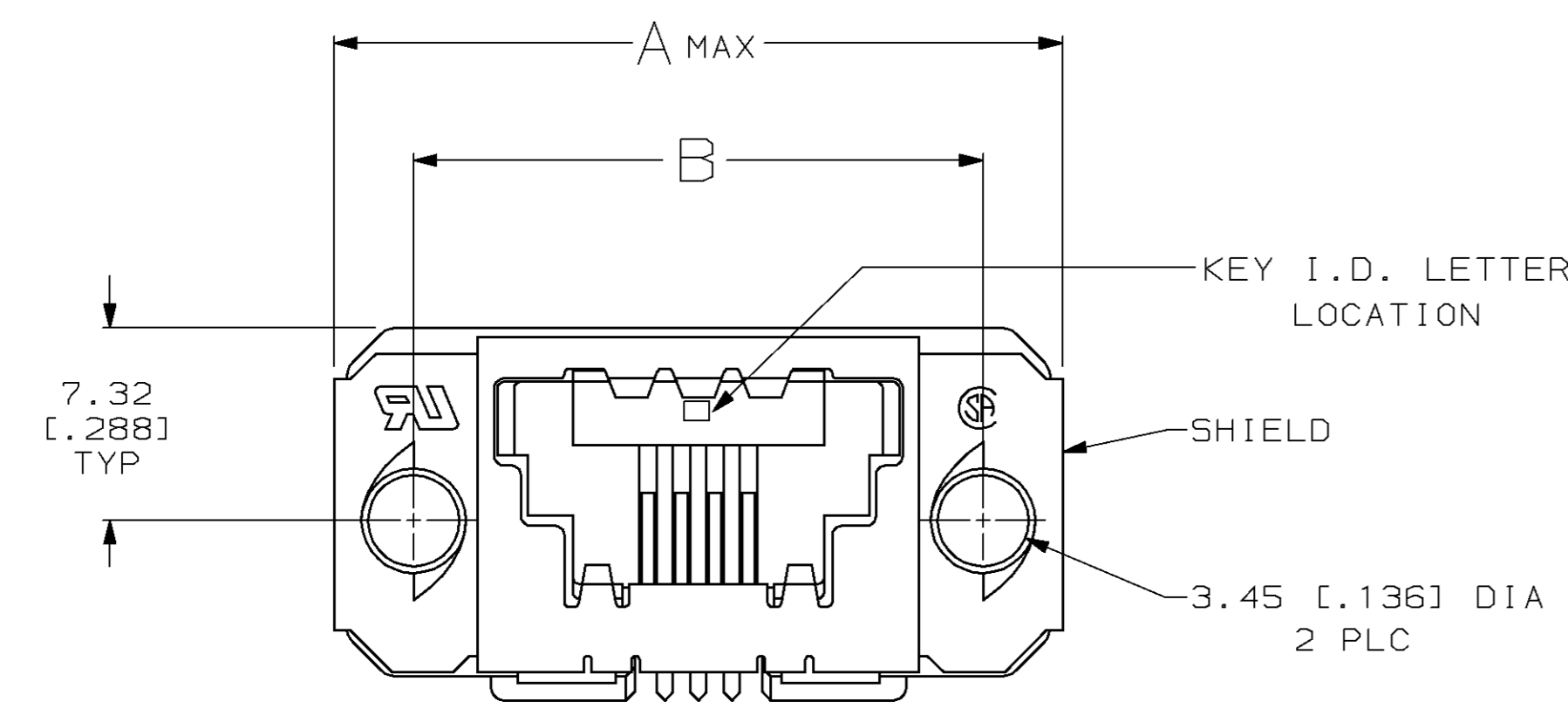
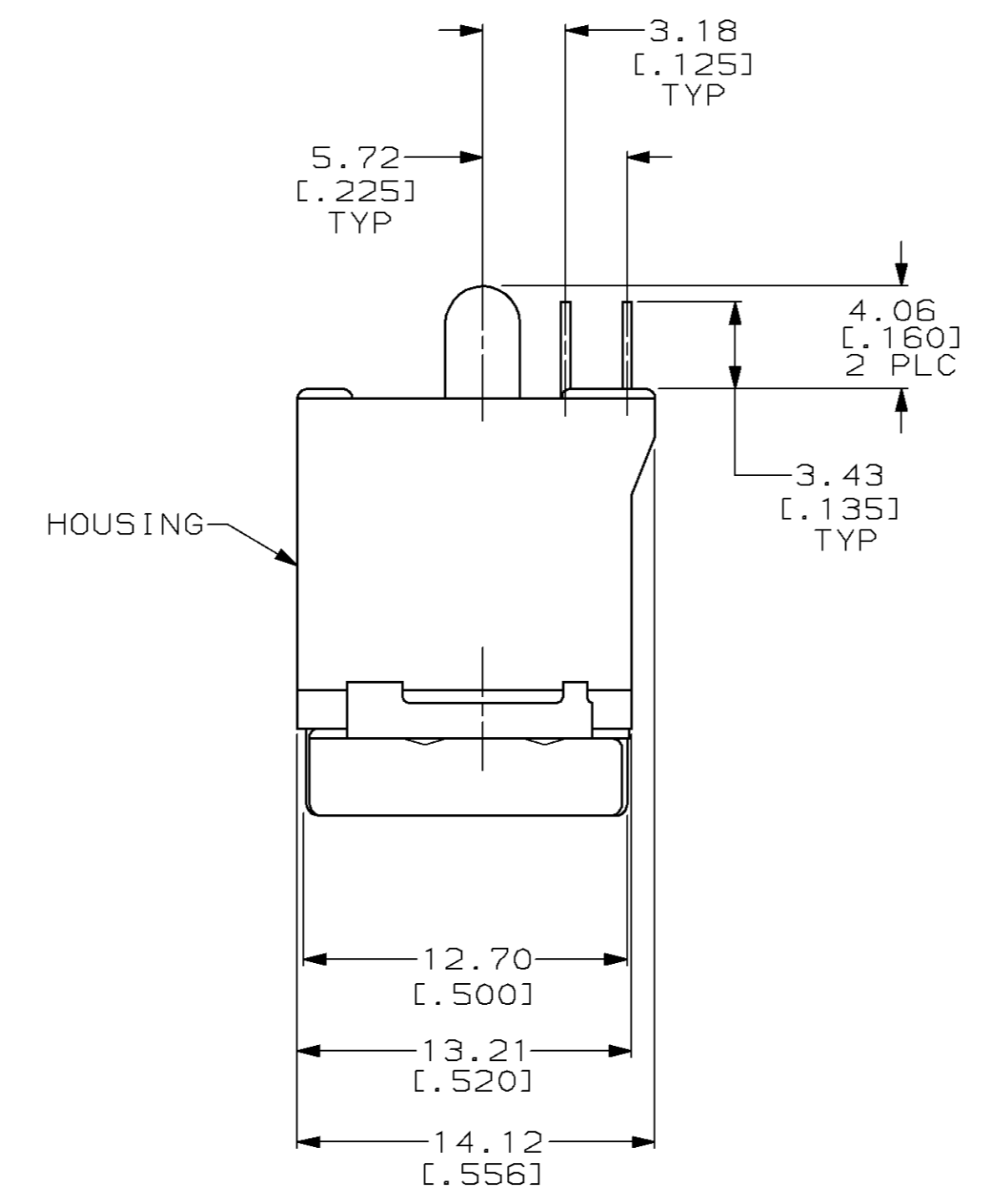
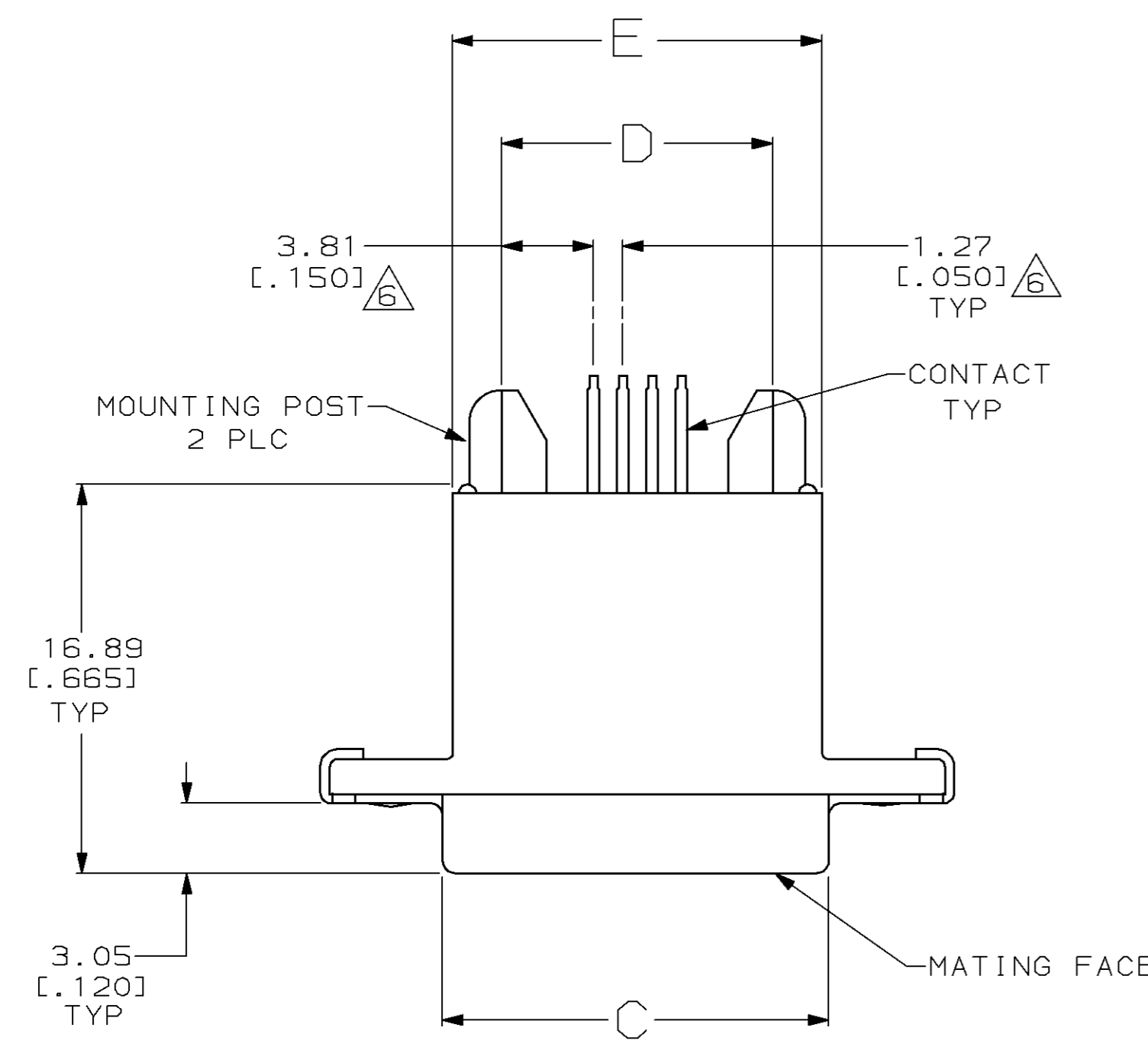
Tel: +86-755-8981 8866 Fax: +86-755-8427 6832

Email & Skype: info@chipsmall.com Web: www.chipsmall.com

Address: A1208, Overseas Decoration Building, #122 Zhenhua RD., Futian, Shenzhen, China



LOC		DIST		P		ZONE		LTR		REVISIONS		
BD	50									DESCRIPTION	DATE	APPD
									V	REV PER EC 0020-1350-94	01/07/95	SM
									W	REV PER EC 0020-44-95	02/15/95	RB
									Y	REV PER EC 0020-674-95	06/21/95	RB
									Z	OBS -22, -26, -36, -42, -61 PER EC 0020-475-95	24 OCT 95	RB
									AA	OBS -43 PER EC 0020-1120-95	28 AUG 96	JGH
									AB	OBSOLETE -32 PER EC 0410-186-96	26 JAN 98	JDS



- PREFIX AND SUFFIX NUMBERS MUST MATCH THOSE ON PLUG ASSEMBLY FOR PARTS TO MATE.
- POLYESTER, FLAME RETARDANT, UL 94V-0 RATED, GLASS FILLED, BLACK.
- 0.76µm [.000030] MIN TIN-LEAD OVER 2.54µm [.000100] MIN COPPER.
- 1.27µm [.000050] MIN GOLD ON MATING SURFACE FOR A LENGTH OF 2.54 [.100] MIN, 3.81µm [.000150] MIN TIN-LEAD ON OPPOSITE END FOR A LENGTH OF 3.81 [.150] MIN, BOTH OVER 1.27µm [.000050] MIN NICKEL ON ENTIRE CONTACT.
- 0.76µm [.000030] MIN TIN-LEAD OVER 1.27µm [.000050] MIN NICKEL.
- DIMENSION APPLIES TO PORTION OF CONTACT PROJECTING FROM REAR OF CONNECTOR ONLY.

OBSOLETE	16.00 [.630]	11.43 [.450]	16.74 [.659]	21.59 [.850]	27.94 [1.100]	4	F		6-520422-1	
	31.24 [1.230]	26.67 [1.050]	31.98 [1.259]	36.83 [1.450]	43.18 [1.700]	16	E		5-520422-6	
	21.08 [.830]	16.51 [.650]	21.82 [.859]	26.67 [1.050]	33.02 [1.300]	8	E		5-520422-3	
	18.54 [.730]	13.97 [.550]	19.28 [.759]	24.13 [.950]	30.48 [1.200]	6	E		5-520422-2	
	16.00 [.630]	11.43 [.450]	16.74 [.659]	21.59 [.850]	27.94 [1.100]	4	E		5-520422-1	
OBSOLETE	21.08 [.830]	16.28 [.641]	21.82 [.859]	26.67 [1.050]	33.02 [1.300]	8	D		4-520422-3	
OBSOLETE	18.54 [.730]	13.74 [.541]	19.28 [.759]	24.13 [.950]	30.48 [1.200]	6	D		4-520422-2	
	16.00 [.630]	11.43 [.450]	16.74 [.659]	21.59 [.850]	27.94 [1.100]	4	D		4-520422-1	
OBSOLETE	31.24 [1.230]	26.67 [1.050]	31.98 [1.259]	36.83 [1.450]	43.18 [1.700]	16	C		3-520422-6	
	21.08 [.830]	16.51 [.650]	21.82 [.859]	26.67 [1.050]	33.02 [1.300]	8	C		3-520422-3	
OBSOLETE	18.54 [.730]	13.97 [.550]	19.28 [.759]	24.13 [.950]	30.48 [1.200]	6	C		3-520422-2	
	16.00 [.630]	11.43 [.450]	16.74 [.659]	21.59 [.850]	27.94 [1.100]	4	C		3-520422-1	
OBSOLETE	31.24 [1.230]	26.44 [1.041]	31.98 [1.259]	36.83 [1.450]	43.18 [1.700]	16	B		2-520422-6	
OBSOLETE	18.54 [.730]	13.74 [.541]	19.28 [.759]	24.13 [.950]	30.48 [1.200]	6	B		2-520422-2	
	31.24 [1.230]	26.67 [1.050]	31.98 [1.259]	36.83 [1.450]	43.18 [1.700]	16	A		1-520422-6	
	21.08 [.830]	16.51 [.650]	21.82 [.859]	26.67 [1.050]	33.02 [1.300]	8	A		1-520422-3	
	18.54 [.730]	13.97 [.550]	19.28 [.759]	24.13 [.950]	30.48 [1.200]	6	A		1-520422-2	
	16.00 [.630]	11.43 [.450]	16.74 [.659]	21.59 [.850]	27.94 [1.100]	4	A		1-520422-1	
	E	D	C	B	A		NO OF POSN	KEY I.D. LETTER	SHIELD FINISH	PART NO

DO NOT SCALE PRINT. UNLESS SPECIFIED DIMENSIONS IN mm [INCHES] TOLERANCES ON:		DR 3-22-89 W.G. LENKER		AMP INCORPORATED Harrisburg, Pa. 17105	
2 PLC DEC ± .038 [.015]		CHK 8-7-89 R. STONE			
3 PLC DEC ± -		APPD 8-8-89 J. PRITULSKY		NAME	
ANGLES ± -		APPD 8-8-89 D. SUMMERS		RECEPTACLE ASSEMBLY, TOP ENTRY, SDL	
MATERIAL HOUSING: SHIELD: BRASS CONTACT: PHOSPHOR BRONZE FINISH		PRODUCT SPEC 108-2047		SIZE D FSCM NO 00779 DRAWING NO 520422	
SHIELD: SEE TABLE		APPLICATION SPEC 114-2081		SCALE 4:1 SHEET 1 OF 1	
CONTACT:		WEIGHT -			