



Chipsmall Limited consists of a professional team with an average of over 10 year of expertise in the distribution of electronic components. Based in Hongkong, we have already established firm and mutual-benefit business relationships with customers from,Europe,America and south Asia,supplying obsolete and hard-to-find components to meet their specific needs.

With the principle of “Quality Parts,Customers Priority,Honest Operation,and Considerate Service”,our business mainly focus on the distribution of electronic components. Line cards we deal with include Microchip,ALPS,ROHM,Xilinx,Pulse,ON,Everlight and Freescale. Main products comprise IC,Modules,Potentiometer,IC Socket,Relay,Connector.Our parts cover such applications as commercial,industrial, and automotives areas.

We are looking forward to setting up business relationship with you and hope to provide you with the best service and solution. Let us make a better world for our industry!



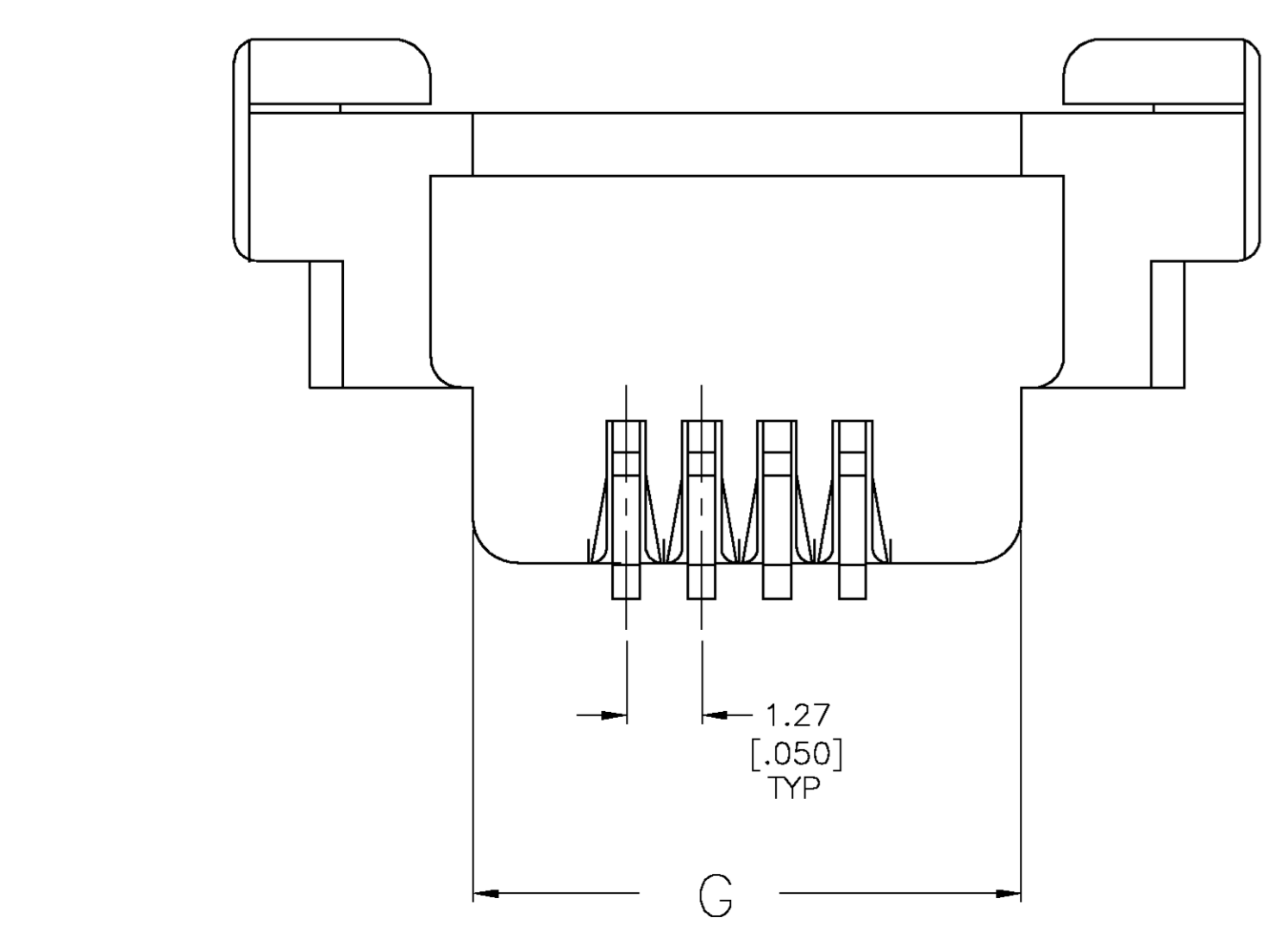
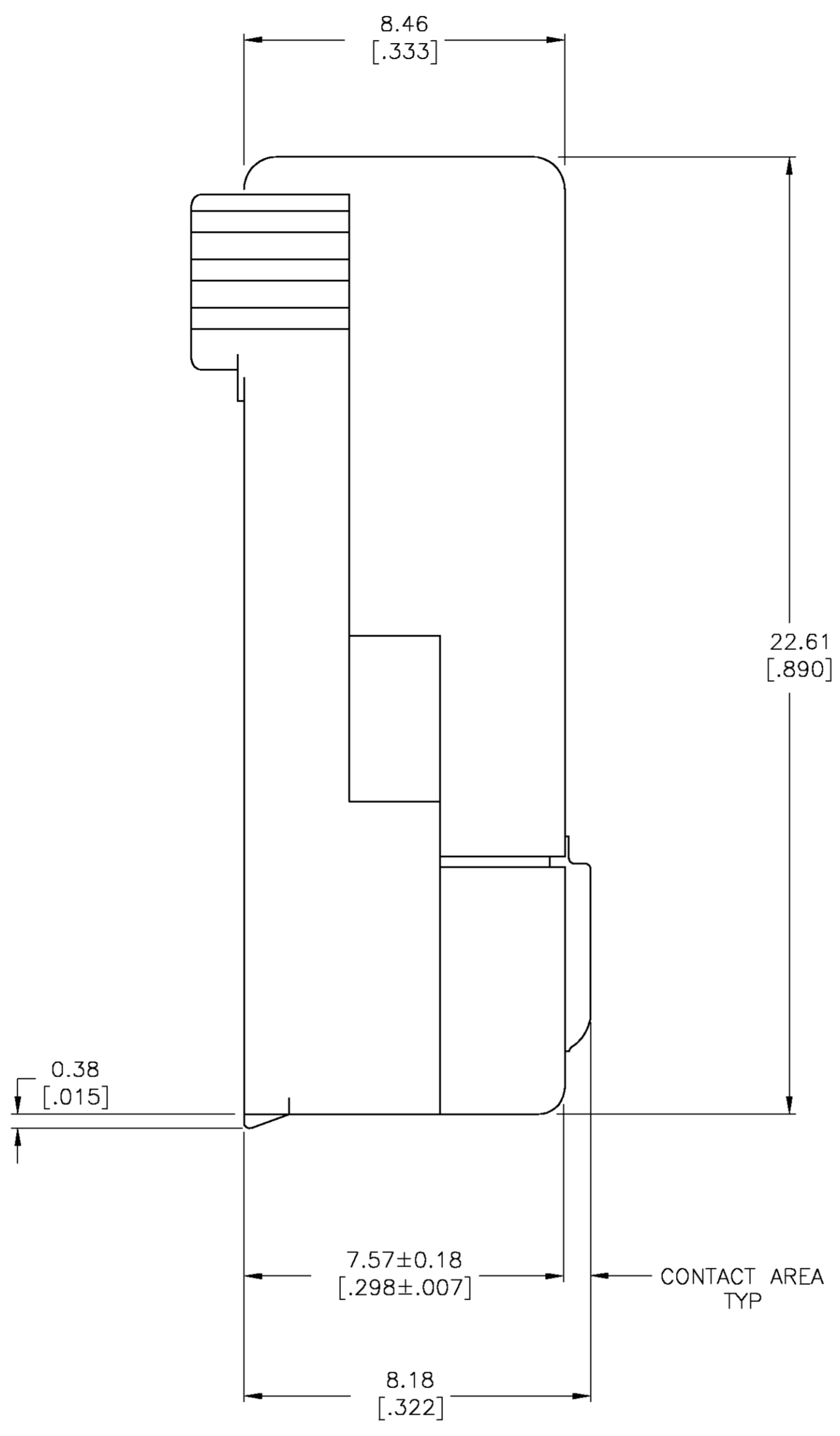
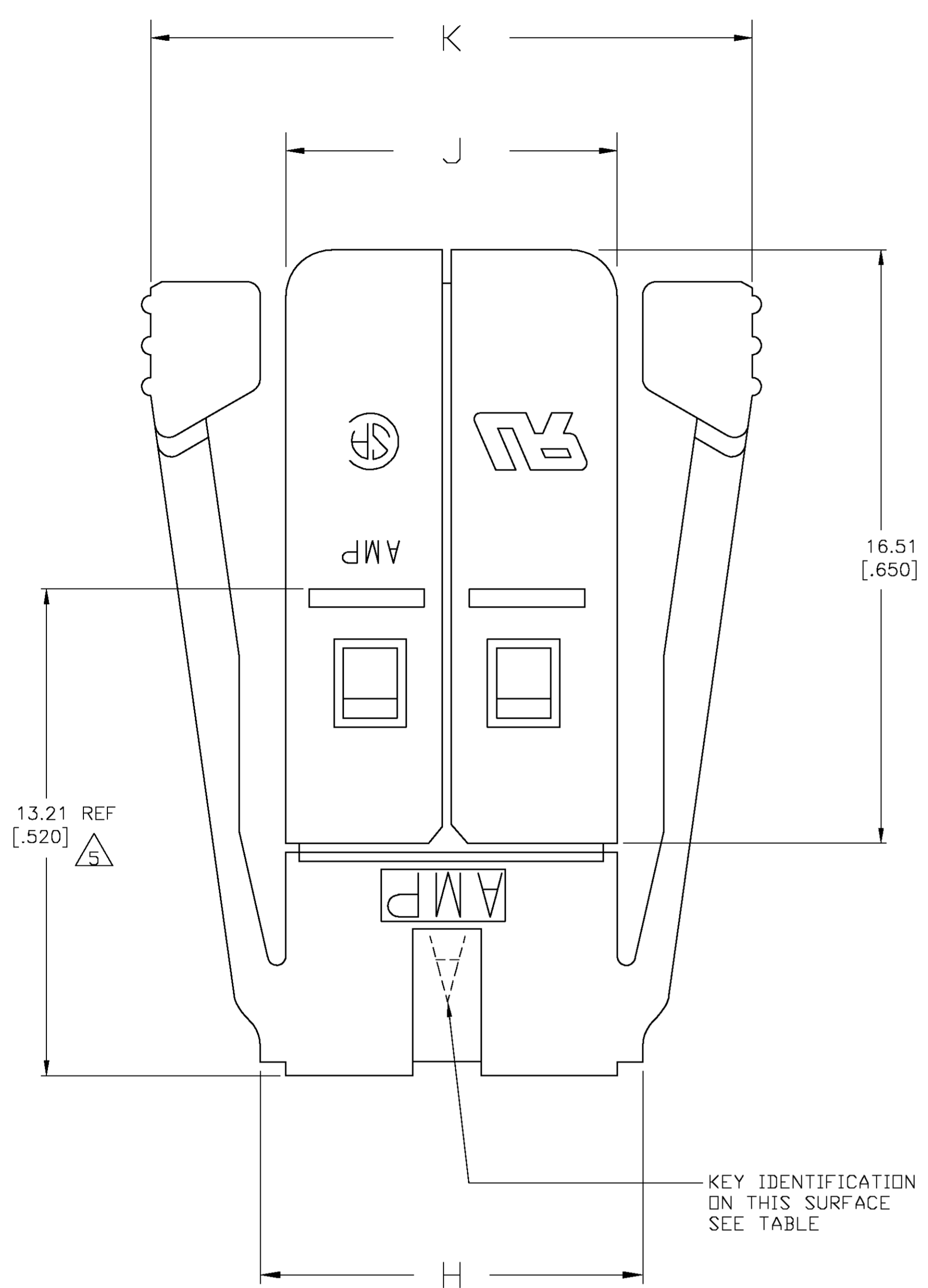
Contact us

Tel: +86-755-8981 8866 Fax: +86-755-8427 6832

Email & Skype: info@chipsmall.com Web: www.chipsmall.com

Address: A1208, Overseas Decoration Building, #122 Zhenhua RD., Futian, Shenzhen, China





KEY IDENTIFICATION LETTER ON THIS SURFACE SEE TABLE

- PREFIX AND SUFFIX NUMBERS MUST MATCH THOSE ON RECEPTACLE FOR PARTS TO MATE.
- MATERIAL:
 HOUSING- POLYCARBONATE
 CONTACT- COPPER ALLOY
 SHIELD- BRASS
- FINISH:
 HOUSING- SMOKE GRAY
 CONTACT- 0.00127[.000050] MIN NICKEL OVER ENTIRE PART, 0.00002[.000001] GOLD FLASH OVER ENTIRE PART, 0.00127[.000050] MIN GOLD OVER CONTACT AREA.
 SHIELD- 0.00254[.000100] MIN BRIGHT TIN-LEAD OVER 0.00127[.000050] MIN NICKEL.
- CABLES SHOULD MEET AMP DRAWING SPECIFICATIONS 520471-1.
- INSERTION DEPTH INTO RECEPTACLE.
- BULK CABLE ARE NOT AVAILABLE FROM AMP INC.
- CABLES SHOULD MEET AMP DRAWING SPECIFICATIONS 520475-1.
- CABLES SHOULD MEET AMP DRAWING SPECIFICATIONS 520477-1.
- CABLES SHOULD MEET AMP DRAWING SPECIFICATIONS 520473-1.
- FINISH:
 HOUSING- SMOKE GRAY
 CONTACT- 0.00127[.000050] MIN NICKEL OVER ENTIRE PART, 0.00002[.000001] GOLD FLASH OVER ENTIRE PART, 0.00127[.000050] MIN GOLD OVER CONTACT AREA.
 SHIELD- 0.00254[.000100] MIN BRIGHT TIN OVER 0.00127[.000050] MIN NICKEL.
- FOR TERMINATION OF 24 AWG, 7 STRANDED, FLAT RIBBON CABLE WITH 1.27[.050] NOMINAL O.D. CONDUCTOR INSULATION PER LISTED DRAWING SPECIFICATIONS.

STATUS	KEY	16.87 [.664]	9.52 [.375]	10.46 [.412]	9.35 [.368]	NO OF POSN	KEY I.D. LETTER	PART NO
OBSOLETE	3	16.87 [.664]	9.52 [.375]	10.46 [.412]	9.35 [.368]	4	F	6-520423-1
OBSOLETE	10	21.95 [.864]	14.60 [.575]	15.54 [.612]	14.43 [.568]	8	E	5-520423-9
OBSOLETE	10	16.87 [.664]	9.52 [.375]	10.46 [.412]	9.35 [.368]	4	A	4-520423-7
	3	32.11 [1.264]	24.76 [.975]	25.70 [1.012]	24.59 [.968]	16	E	5-520423-6
	3	21.95 [.864]	14.60 [.575]	15.54 [.612]	14.43 [.568]	8	E	5-520423-3
	3	19.41 [.764]	12.06 [.475]	13.00 [.512]	11.89 [.468]	6	E	5-520423-2
	3	16.87 [.664]	9.52 [.375]	10.46 [.412]	9.35 [.368]	4	E	4-520423-1
OBSOLETE	3	21.95 [.864]	14.60 [.575]	15.54 [.612]	14.43 [.568]	8	D	4-520423-3
	3	16.87 [.664]	9.52 [.375]	10.46 [.412]	9.35 [.368]	4	D	4-520423-1
OBSOLETE	3	32.11 [1.264]	24.76 [.975]	25.70 [1.012]	24.59 [.968]	16	C	3-520423-6
	3	21.95 [.864]	14.60 [.575]	15.54 [.612]	14.43 [.568]	8	C	3-520423-3
	3	19.41 [.764]	12.06 [.475]	13.00 [.512]	11.89 [.468]	6	C	3-520423-2
	3	16.87 [.664]	9.52 [.375]	10.46 [.412]	9.35 [.368]	4	C	3-520423-1
OBSOLETE	3	32.11 [1.264]	24.76 [.975]	25.70 [1.012]	24.59 [.968]	16	B	2-520423-6
OBSOLETE	3	21.95 [.864]	14.60 [.575]	15.54 [.612]	14.43 [.568]	8	B	2-520423-3
OBSOLETE	3	19.41 [.764]	12.06 [.475]	13.00 [.512]	11.89 [.468]	6	B	2-520423-2
	3	16.87 [.664]	9.52 [.375]	10.46 [.412]	9.35 [.368]	4	B	2-520423-1
	3	32.11 [1.264]	24.76 [.975]	25.70 [1.012]	24.59 [.968]	16	A	1-520423-6
	3	21.95 [.864]	14.60 [.575]	15.54 [.612]	14.43 [.568]	8	A	1-520423-3
	3	19.41 [.764]	12.06 [.475]	13.00 [.512]	11.89 [.468]	6	A	1-520423-2
	3	16.87 [.664]	9.52 [.375]	10.46 [.412]	9.35 [.368]	4	A	1-520423-1
FINISH		K	J	H	G			

THIS DRAWING IS A CONTROLLED DOCUMENT.

DIMENSIONS: mm [INCHES]	TOLERANCES UNLESS OTHERWISE SPECIFIED:	DWG BY: MCMMASTER 08FEB2004	APVD: M. WALMSLEY 08FEB04	NAME: M. WALMSLEY	TYCO Electronics Tyco Electronics Corporation Harrisburg, Pa 17105-3608
0 PLC ± -	1 PLC ± -	2 PLC ± -	3 PLC ± 0.25 [.010]	4 PLC ± -	PRODUCT SPEC: 108-2047
ANGLES ± -					APPLICATION SPEC: 114-2086
MATERIAL: 2	FINISH: SEE TABLE	WEIGHT: -	SIZE: A1	CAGE CODE: 00779	DRAWING NO: 520423
		CUSTOMER DRAWING	SCALE: 10:1	SHEET: 1 OF 1	REV: AE