



Chipsmall Limited consists of a professional team with an average of over 10 year of expertise in the distribution of electronic components. Based in Hongkong, we have already established firm and mutual-benefit business relationships with customers from,Europe,America and south Asia,supplying obsolete and hard-to-find components to meet their specific needs.

With the principle of “Quality Parts,Customers Priority,Honest Operation,and Considerate Service”,our business mainly focus on the distribution of electronic components. Line cards we deal with include Microchip,ALPS,ROHM,Xilinx,Pulse,ON,Everlight and Freescale. Main products comprise IC,Modules,Potentiometer,IC Socket,Relay,Connector.Our parts cover such applications as commercial,industrial, and automotives areas.

We are looking forward to setting up business relationship with you and hope to provide you with the best service and solution. Let us make a better world for our industry!



Contact us

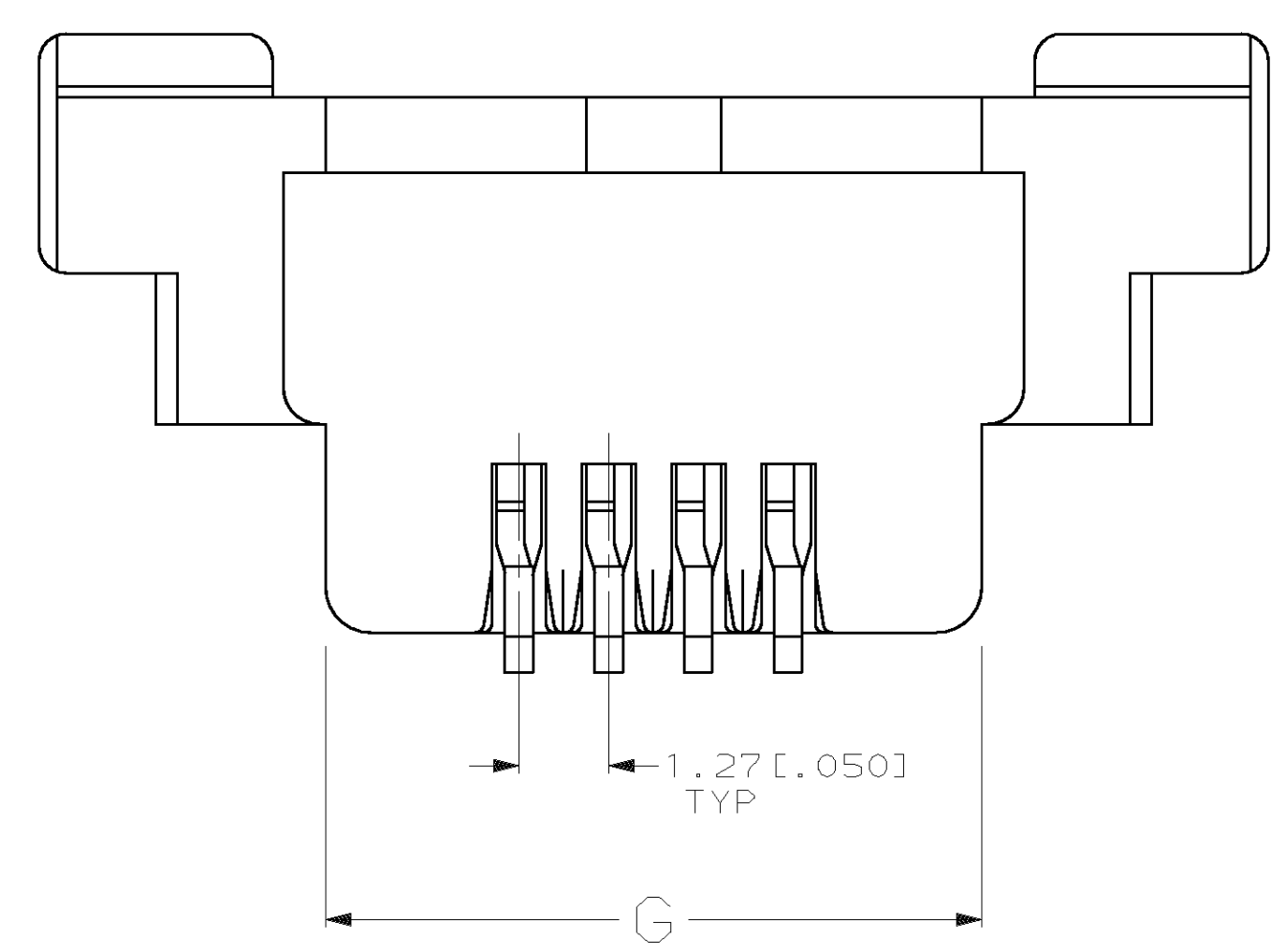
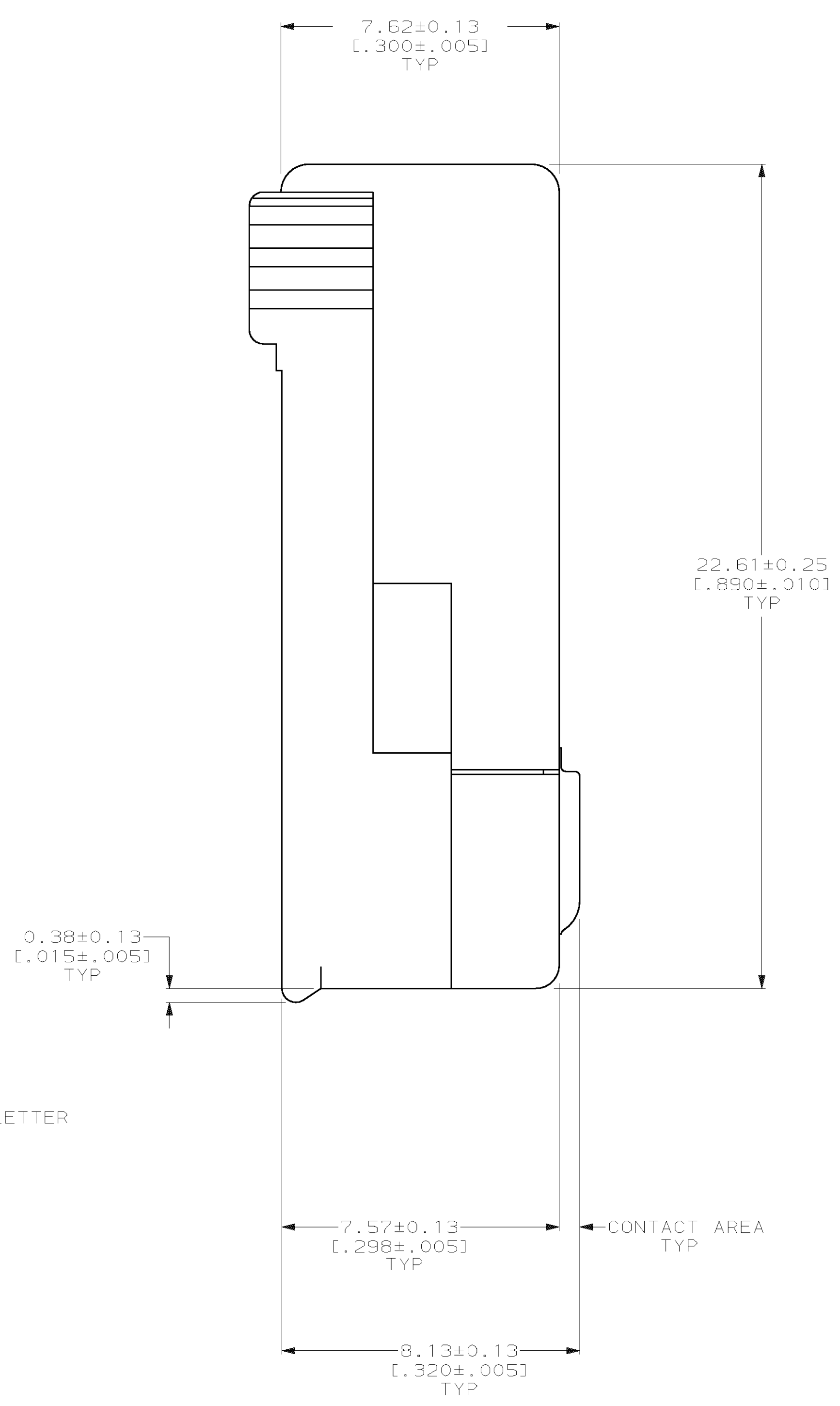
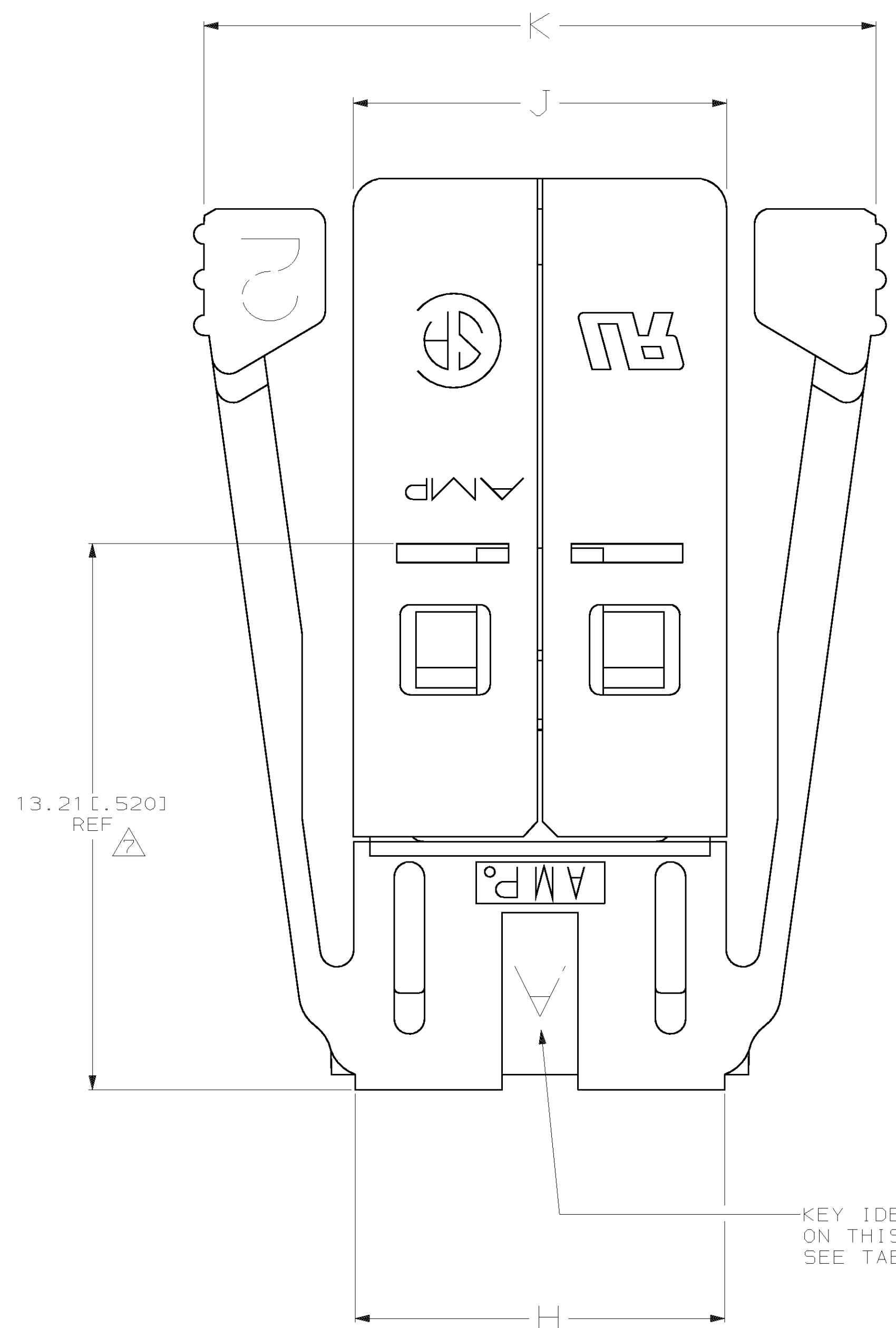
Tel: +86-755-8981 8866 Fax: +86-755-8427 6832

Email & Skype: info@chipsmall.com Web: www.chipsmall.com

Address: A1208, Overseas Decoration Building, #122 Zhenhua RD., Futian, Shenzhen, China



LOC	DIST	P	F	ZONE	LTR	DESCRIPTION	DATE	APPD
BD	26							
					M	REDRAWN PER EC 0020-488-94	07/11/94	SM
					N	OBSOLETE -26, -43 PER EC 0020-475-95	24 OCT 95	RB
					P	OBS -13, -16, -21, -23, -31, -33, -41, -46 PER EC 0020-1120-95	29 AUG 96	JGH
					R	REACTIVATED -13, -31 & -41 PER EC 0410-63-98	27 MAR 98	JS
					S	REV PER EC 0640-248-99	12 MAY 99	DM



KEY IDENTIFICATION LETTER
ON THIS SURFACE
SEE TABLE

- PREFIX AND SUFFIX NUMBERS MUST MATCH THOSE ON RECEPTACLE FOR PARTS TO MATE.
- MATERIAL:
HOUSING - POLYCARBONATE
CONTACT - COPPER ALLOY
SHIELD - BRASS
- FINISH:
HOUSING - BROWN
CONTACT - 2.03µm [0.00080] MIN COPPER OVER ENTIRE PART,
2.54µm [0.00100] MIN NICKEL OVER ENTIRE PART,
0.02µm [0.000001] MIN GOLD OVER ENTIRE PART,
2.54µm [0.00100] GOLD OVER CONTACT AREA.
SHIELD - BRIGHT TIN/LEAD 0.76µm [0.00030] MIN
OVER 1.27µm [0.00050] MIN NICKEL.
- CABLES MUST MEET AMP DRAWING SPECIFICATION 520471.
- CABLES MUST MEET AMP DRAWING SPECIFICATION 520475.
- CABLES MUST MEET AMP DRAWING SPECIFICATION 520477.
- INSERTION DEPTH INTO RECEPTACLE.
- BULK CABLE IS NOT AVAILABLE FROM AMP INC.

	32.11 [1.264]	24.76 [0.975]	25.70 [1.012]	24.59 [0.968]	16	E	△6	5-520809-6
	21.95 [0.864]	14.60 [0.575]	15.54 [0.612]	14.43 [0.568]	8	E	△5	5-520809-3
	16.87 [0.664]	9.52 [0.375]	10.46 [0.412]	9.35 [0.368]	4	E	△4	5-520809-1
OBSOLETE	32.11 [1.264]	24.76 [0.975]	25.70 [1.012]	24.59 [0.968]	16	D	△6	4-520809-6
OBSOLETE	21.95 [0.864]	14.60 [0.575]	15.54 [0.612]	14.43 [0.568]	8	D	△5	4-520809-3
	16.87 [0.664]	9.52 [0.375]	10.46 [0.412]	9.35 [0.368]	4	D	△4	4-520809-1
OBSOLETE	21.95 [0.864]	14.60 [0.575]	15.54 [0.612]	14.43 [0.568]	8	C	△5	3-520809-3
	16.87 [0.664]	9.52 [0.375]	10.46 [0.412]	9.35 [0.368]	4	C	△4	3-520809-1
OBSOLETE	32.11 [1.264]	24.76 [0.975]	25.70 [1.012]	24.59 [0.968]	16	B	△6	2-520809-6
OBSOLETE	21.95 [0.864]	14.60 [0.575]	15.54 [0.612]	14.43 [0.568]	8	B	△5	2-520809-3
OBSOLETE	16.87 [0.664]	9.52 [0.375]	10.46 [0.412]	9.35 [0.368]	4	B	△4	2-520809-1
OBSOLETE	32.11 [1.264]	24.76 [0.975]	25.70 [1.012]	24.59 [0.968]	16	A	△6	1-520809-6
	21.95 [0.864]	14.60 [0.575]	15.54 [0.612]	14.43 [0.568]	8	A	△5	1-520809-3
	16.87 [0.664]	9.52 [0.375]	10.46 [0.412]	9.35 [0.368]	4	A	△4	1-520809-1
	K	J	H	G	NO OF POSN	KEY I.D. LETTER	PART NO	

DO NOT SCALE PRINT.
UNLESS SPECIFIED
DIMENSIONS IN mm [INCHES]
TOLERANCES ON:
2 PLC DEC ±0.38 [0.015]
3 PLC DEC ± -
ANGLES ± -

DR 07-11-94
D.HARDY
CHK 07-14-94
R.STONE
APPD 07-14-94
S.MORIN
APPD 07-14-94
S.MORIN
PRODUCT SPEC
108-2047 & 108-2051
APPLICATION SPEC
114-2086

AMP AMP Incorporated
Harrisburg, PA 17105-3508
NAME
PLUG ASSEMBLY, SPECIAL,
50 SERIES, FLAT CABLE, SDL
SIZE D
CAGE CODE 00779
DRAWING NO C-520809
SCALE 10:1
SHEET 1 OF 1

THIS DRAWING IS A CONTROLLED DOCUMENT FOR
AMP INCORPORATED. IT IS SUBJECT TO CHANGE
AND THE CONTROLLING ENGINEERING ORGANIZATION
SHOULD BE CONTACTED FOR THE LATEST REVISION.