



Chipsmall Limited consists of a professional team with an average of over 10 year of expertise in the distribution of electronic components. Based in Hongkong, we have already established firm and mutual-benefit business relationships with customers from,Europe,America and south Asia,supplying obsolete and hard-to-find components to meet their specific needs.

With the principle of “Quality Parts,Customers Priority,Honest Operation,and Considerate Service”,our business mainly focus on the distribution of electronic components. Line cards we deal with include Microchip,ALPS,ROHM,Xilinx,Pulse,ON,Everlight and Freescale. Main products comprise IC,Modules,Potentiometer,IC Socket,Relay,Connector.Our parts cover such applications as commercial,industrial, and automotives areas.

We are looking forward to setting up business relationship with you and hope to provide you with the best service and solution. Let us make a better world for our industry!



Contact us

Tel: +86-755-8981 8866 Fax: +86-755-8427 6832

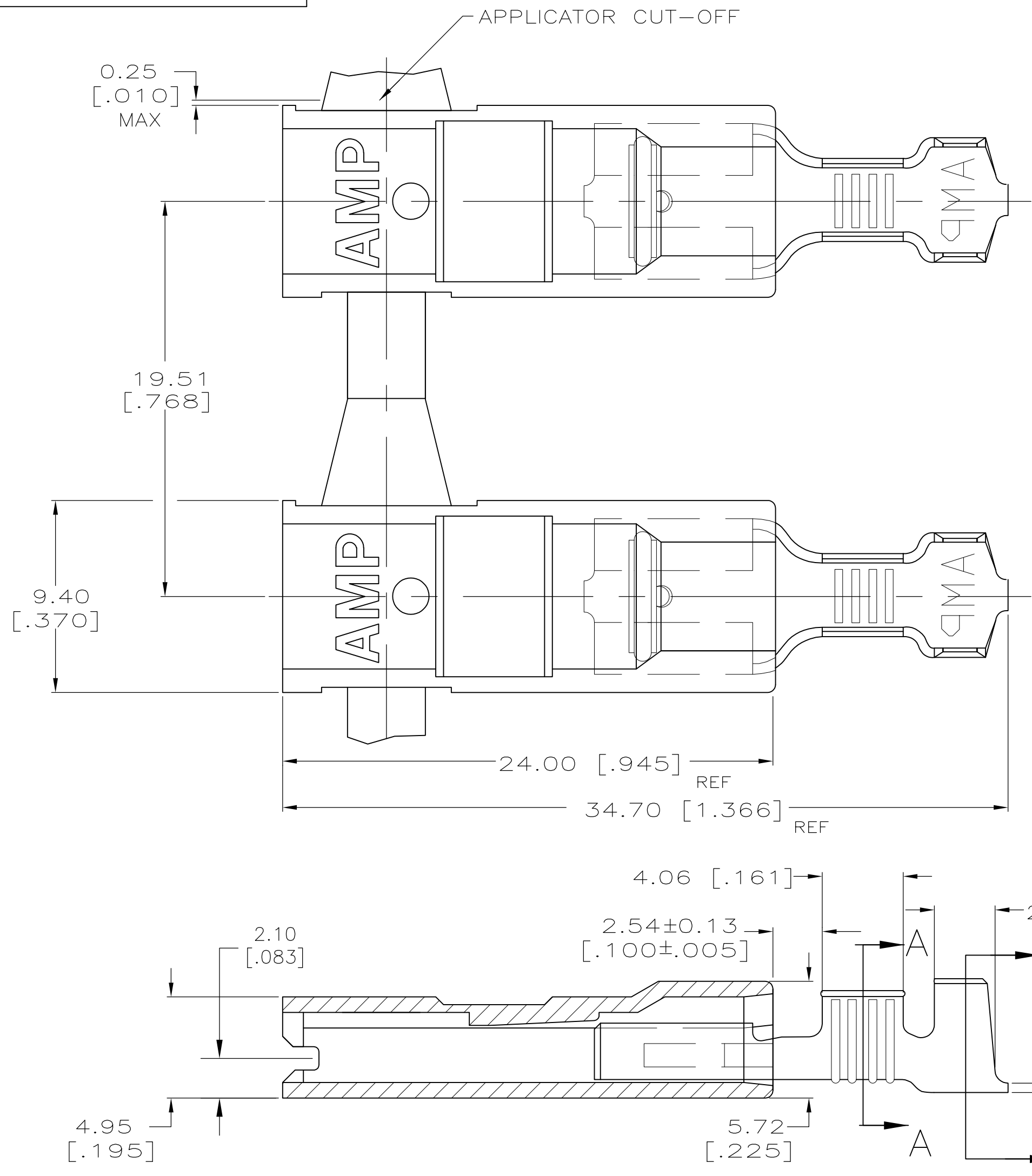
Email & Skype: info@chipsmall.com Web: www.chipsmall.com

Address: A1208, Overseas Decoration Building, #122 Zhenhua RD., Futian, Shenzhen, China



THIS DRAWING IS UNPUBLISHED. RELEASED FOR PUBLICATION
 © COPYRIGHT - By - ALL RIGHTS RESERVED.

REVISIONS				
P	LTR	DESCRIPTION	DATE	APVD
D3		REVISED PER ECR-15-016360	10MAR2016	NK LP



1 BUDGET FASTON TERMINALS, BASE.
 P/N 63884, ARE USED IN THIS PRODUCT.

OBSOLETE	BULK	2.79-4.32 [.110-.170]	0.8-2.0 mm ² [18-14]	0.813 [.032]	-5-521094-1-
	STANDARD				521094-1
	PACKAGING	INSULATION RANGE	WIRE SIZE	MATING TAB THK ±0.025 [±.001]	PART NO

THIS DRAWING IS A CONTROLLED DOCUMENT.		DWN	JR RUTH	11/27/95	 TE Connectivity
DIMENSIONS: INCHES		CHK	MS FEHER	11/27/95	
TOLERANCES UNLESS OTHERWISE SPECIFIED:		APVD	D BRATINA	11/27/95	
0 PLC ± - 1 PLC ± - 2 PLC ± - 3 PLC ± 0.25 [.010] 4 PLC ± - ANGLES ± - FINISH		PRODUCT SPEC	108-1285	NAME	
MATERIAL		APPLICATION SPEC	114-2124	SIZE	RESTRICTED TO
HOUSING - 6/8 NYLON TERMINAL - 4M HARD BRASS		WEIGHT	CUSTOMER DRAWING	A2	
HOUSING - NATURAL TERMINAL - PLAIN		SCALE	5:1	SHEET	1 of 1
		REV	D3		