



Chipsmall Limited consists of a professional team with an average of over 10 year of expertise in the distribution of electronic components. Based in Hongkong, we have already established firm and mutual-benefit business relationships with customers from,Europe,America and south Asia,supplying obsolete and hard-to-find components to meet their specific needs.

With the principle of “Quality Parts,Customers Priority,Honest Operation,and Considerate Service”,our business mainly focus on the distribution of electronic components. Line cards we deal with include Microchip,ALPS,ROHM,Xilinx,Pulse,ON,Everlight and Freescale. Main products comprise IC,Modules,Potentiometer,IC Socket,Relay,Connector.Our parts cover such applications as commercial,industrial, and automotives areas.

We are looking forward to setting up business relationship with you and hope to provide you with the best service and solution. Let us make a better world for our industry!



Contact us

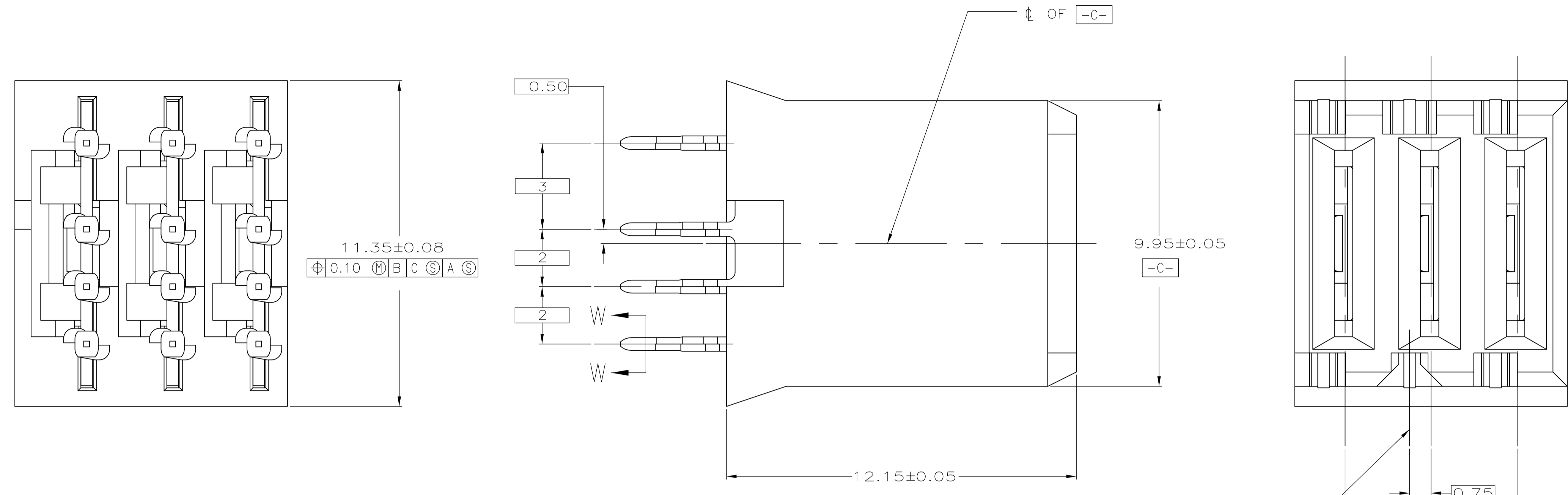
Tel: +86-755-8981 8866 Fax: +86-755-8427 6832

Email & Skype: info@chipsmall.com Web: www.chipsmall.com

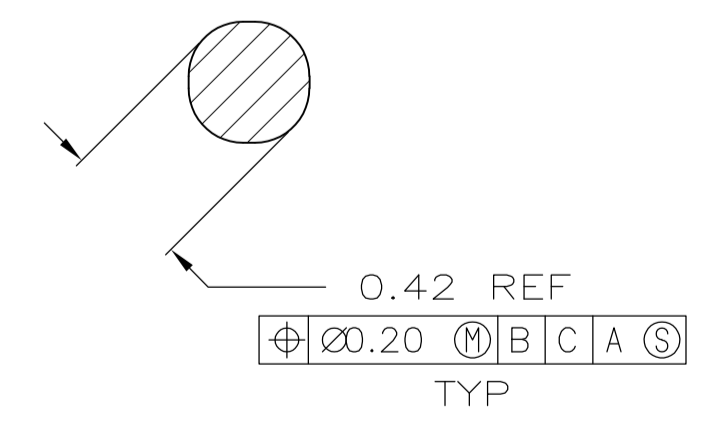
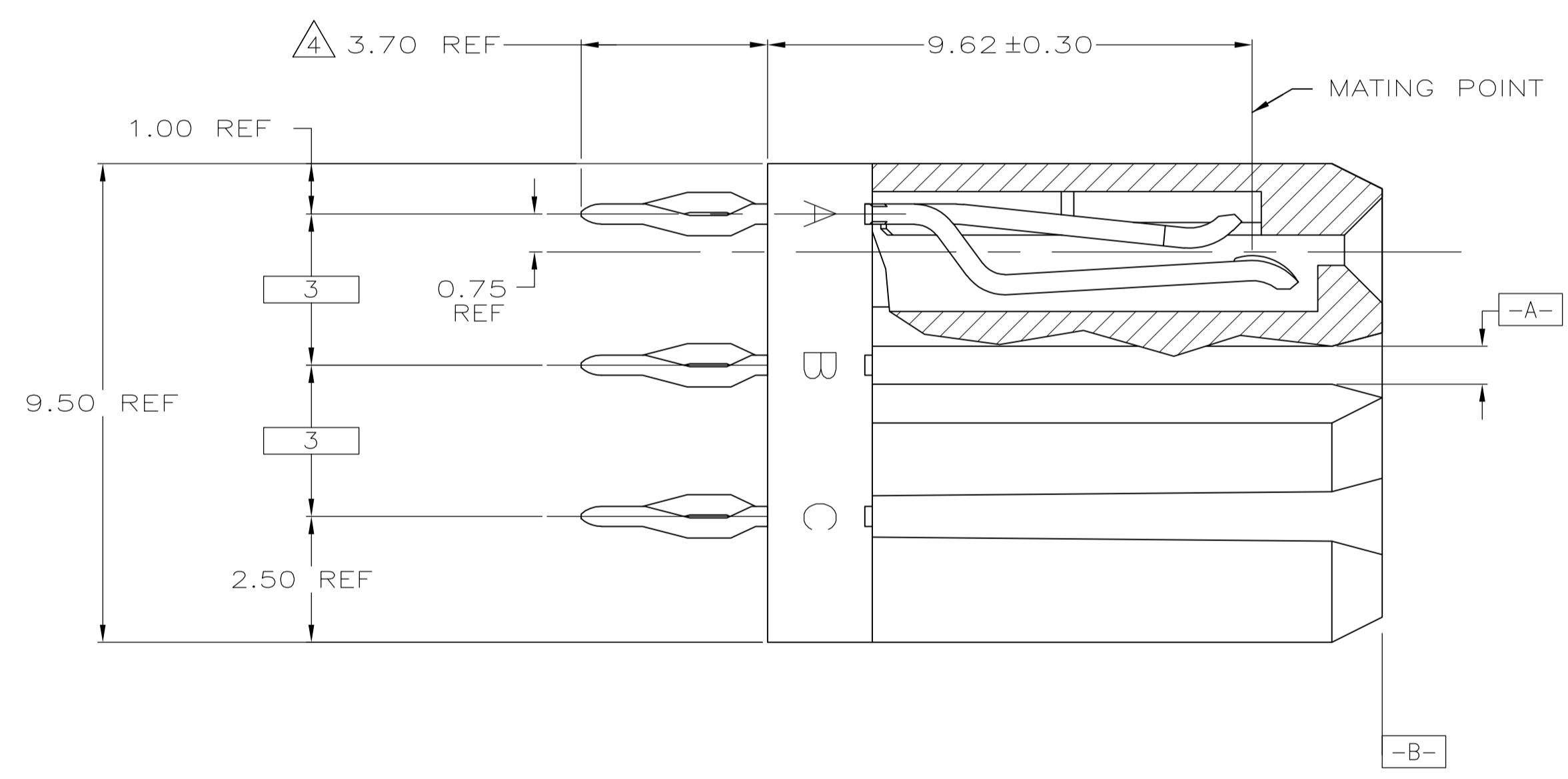
Address: A1208, Overseas Decoration Building, #122 Zhenhua RD., Futian, Shenzhen, China



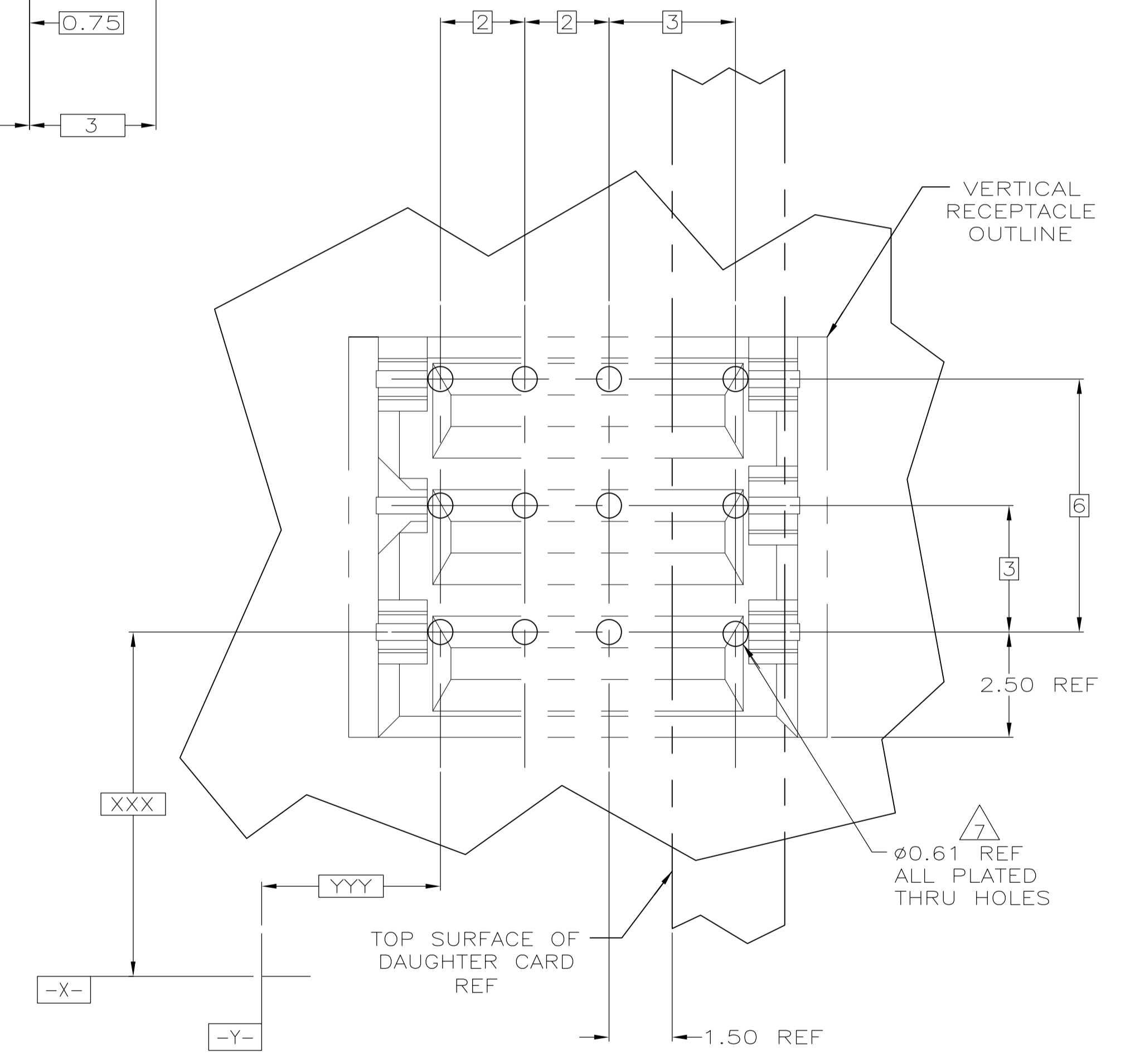
LOC		DIST		REVISIONS			
P	LTR	DATE	DMN	APVD			
P	REVISED PER ECO-11-004835	11MAR11	RK	HMR			



- 1 MATERIAL: HOUSING: POLYESTER. COLOR: GRAY. 94V-0. CONTACT: PHOSPHOR BRONZE.
- 2 FINISH: CONTACT MATING AREA: 1.27µm MIN GOLD OR 0.08µm MIN GOLD OVER 0.76µm MIN PALLADIUM-NICKEL. ACTION PIN AREA: 0.5µm MIN TIN PLATE, ALL OVER 1.27µm MIN NICKEL UNDERPLATE.
- 3 FINISH: CONTACT LUBRICATION WITH BELLCORE APPROVED LUBRICANT. TECHNICAL REFERENCE: TR-NWT-001217 ISSUE 1, SEPT 1992.
- 4 TOLERANCE TO BE ±0.28 AFTER CONNECTOR IS APPLIED TO P.C. BOARD.
- 5 RESTRICTED PART NUMBER, CONTACT ENGINEERING.
- 6 MATERIAL: HOUSING: POLYESTER. COLOR: GRAY. 94V-0. CONTACT: HIGH CURRENT COPPER ALLOY
- 7 REFERENCE APPLICATION SPEC 114-1103 FOR RECOMMENDED PLATED THRU HOLE DIAMETER AND PLATING THICKNESS.
- 8 CURRENT RATING 10A/CONTACT FOR PHOS BRONZE CONTACTS AND 16A/CONTACT FOR HIGH CURRENT COPPER ALLOY CONTACTS PER PRODUCT SPEC 108-1651.



SECTION W-W
SCALE 40:1



RECOMMENDED PCB HOLE LAYOUT

2 3 6	5-5223955-2
1 2 3 5	5223955-8
1 2 3	5223955-2
MATERIAL & FINISH	PART NUMBER

THIS DRAWING IS A CONTROLLED DOCUMENT.		DIN B CARDO 10DEC04		
DIMENSIONS: mm		CHK R PATTERSON 10DEC04		
TOLERANCES UNLESS OTHERWISE SPECIFIED:		APP'D R PATTERSON 10DEC04		
0 PLC	± -	NAME		
1 PLC	± -	PRODUCT SPEC		
2 PLC	± 0.13	APPLICATION SPEC		
3 PLC	± -	SIZE		
4 PLC	± -	CAGE CODE		
ANGLES	± -	DRAWING NO		
MATERIAL	SEE TABLE	FINISH		
WEIGHT	-	RESTRICTED TO		
CUSTOMER DRAWING	SCALE 10:1	SHEET 1 OF 1		