



Chipsmall Limited consists of a professional team with an average of over 10 year of expertise in the distribution of electronic components. Based in Hongkong, we have already established firm and mutual-benefit business relationships with customers from,Europe,America and south Asia,supplying obsolete and hard-to-find components to meet their specific needs.

With the principle of “Quality Parts,Customers Priority,Honest Operation,and Considerate Service”,our business mainly focus on the distribution of electronic components. Line cards we deal with include Microchip,ALPS,ROHM,Xilinx,Pulse,ON,Everlight and Freescale. Main products comprise IC,Modules,Potentiometer,IC Socket,Relay,Connector.Our parts cover such applications as commercial,industrial, and automotives areas.

We are looking forward to setting up business relationship with you and hope to provide you with the best service and solution. Let us make a better world for our industry!



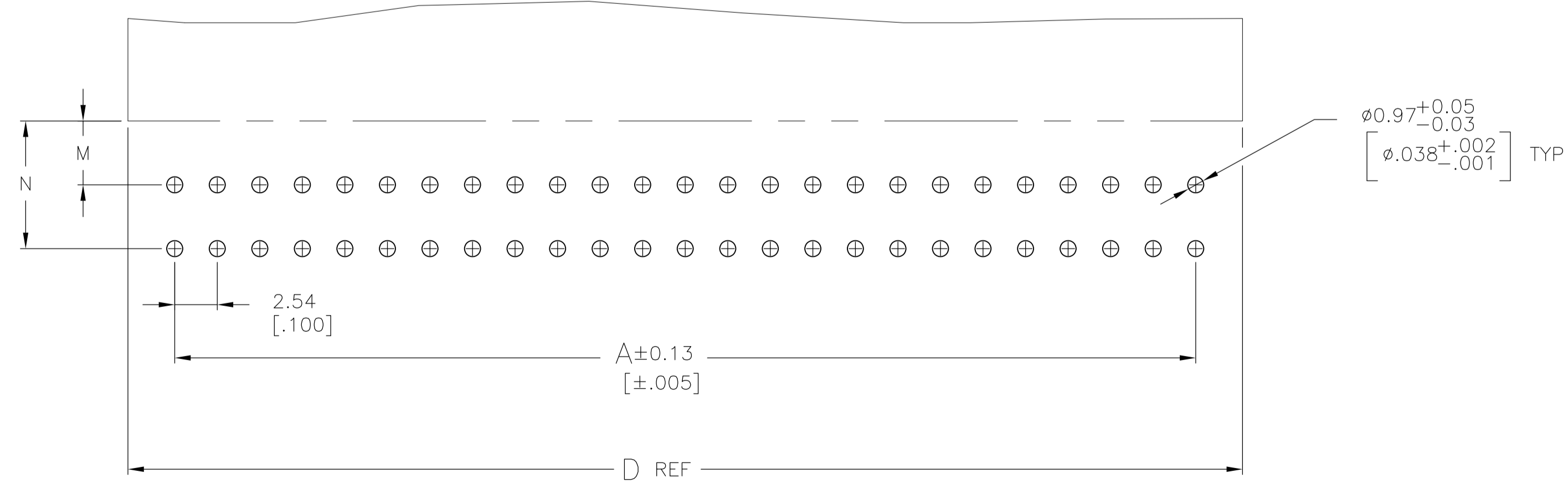
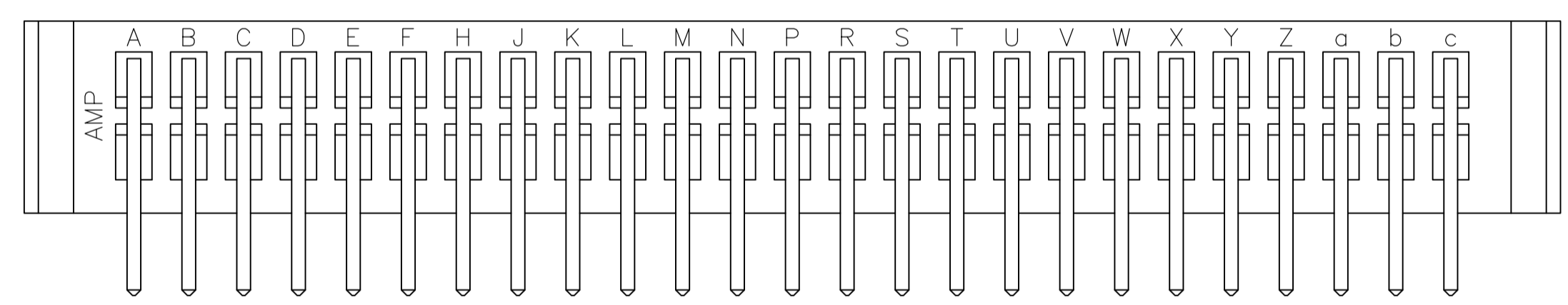
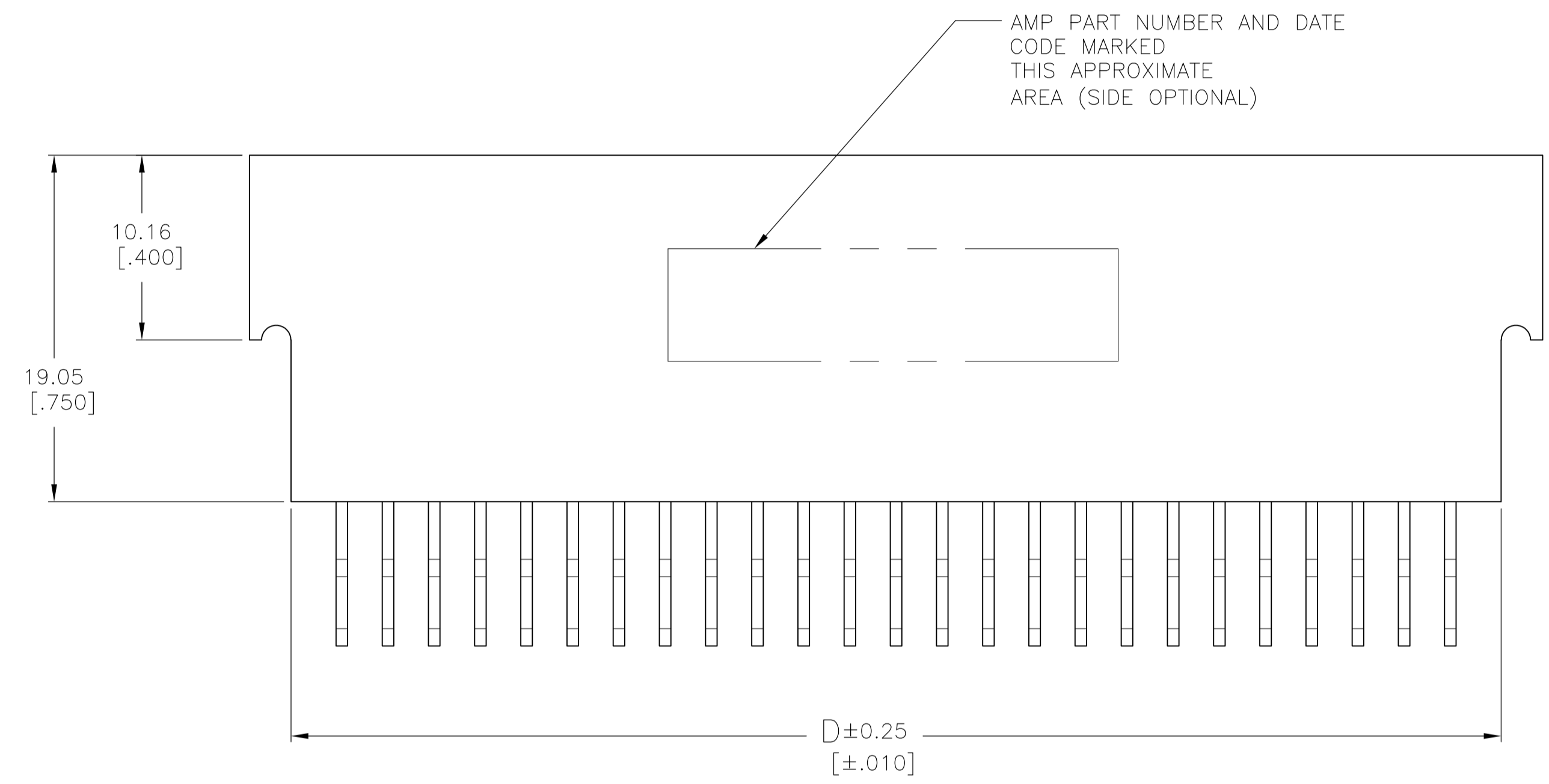
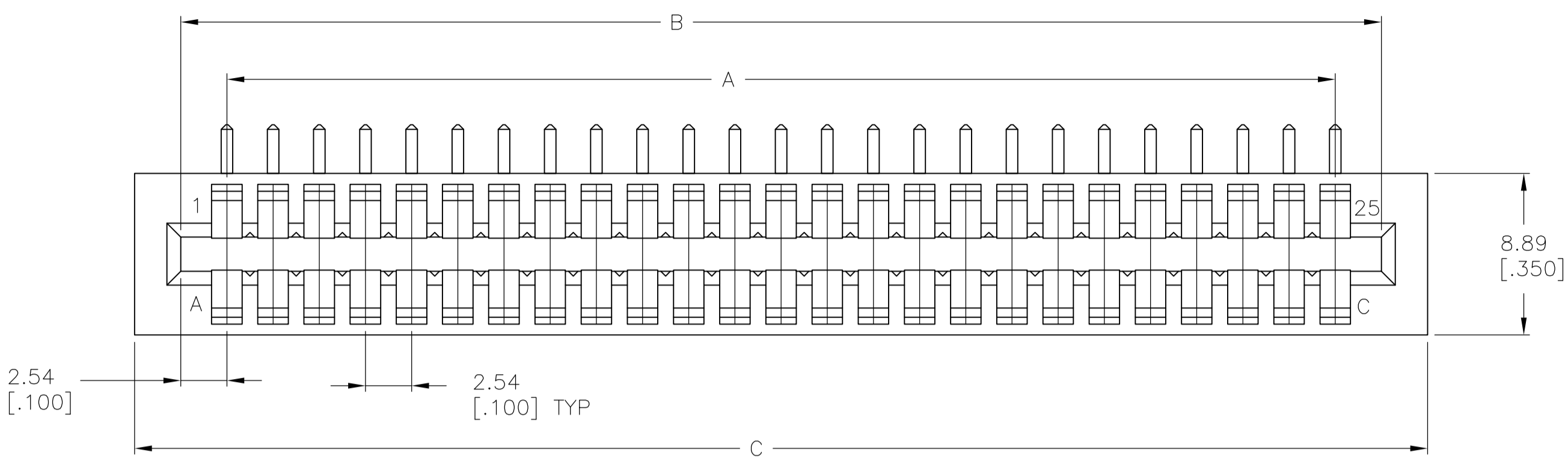
Contact us

Tel: +86-755-8981 8866 Fax: +86-755-8427 6832

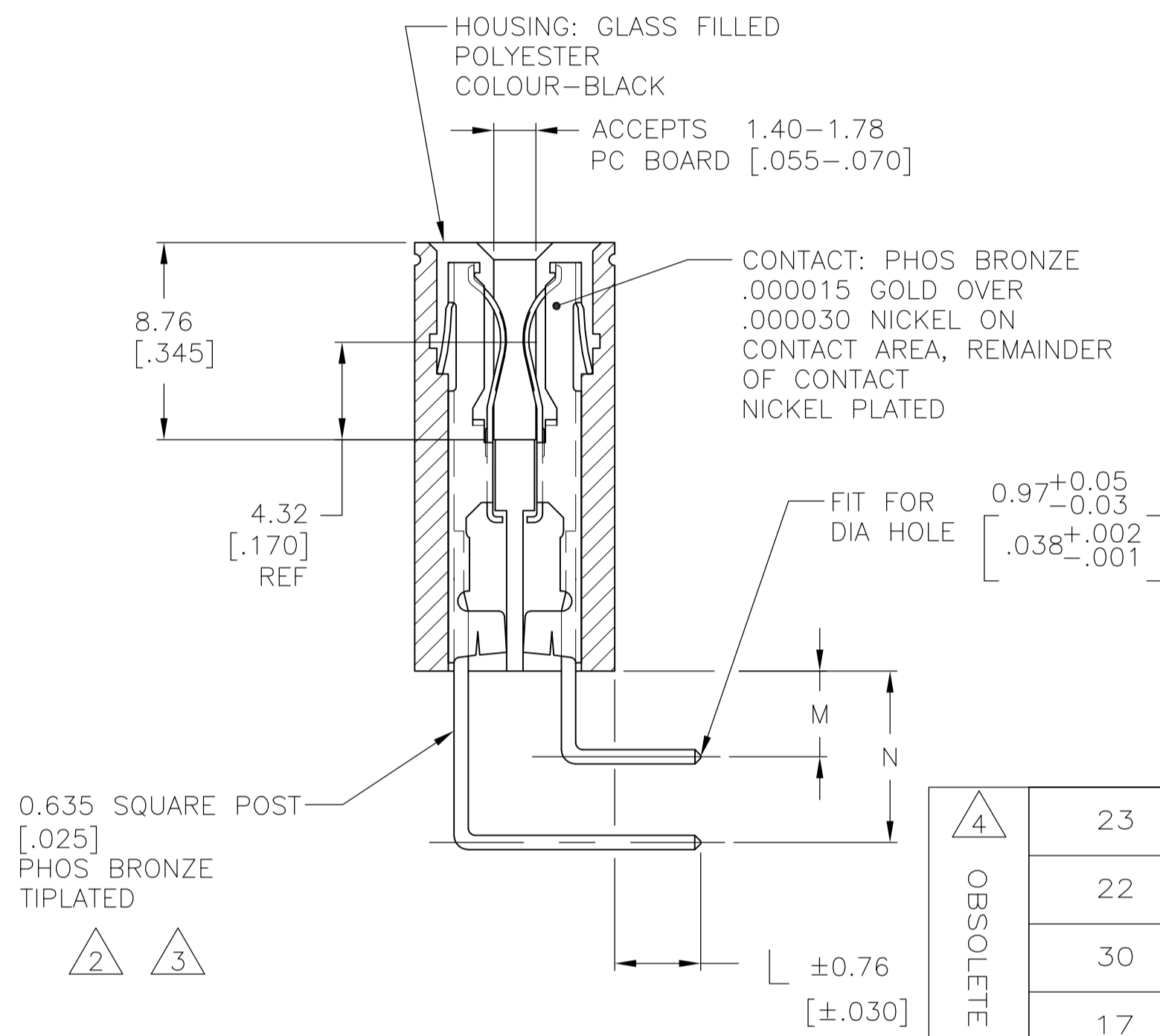
Email & Skype: info@chipsmall.com Web: www.chipsmall.com

Address: A1208, Overseas Decoration Building, #122 Zhenhua RD., Futian, Shenzhen, China





PCB FOOT PRINT DETAIL



- 1 PRELIMINARY - NOT RELEASED FOR PRODUCTION.
- 2 MATTE TIN PLATED
- 3 TIN-LEAD PLATED
- 4 OBSOLETE PARTS: OBSOLETE CIS STREAMLINING PER D.RENAUD/D.SINISI

NO OF POSITIONS	A	B	C	D	L	M	N	PART NUMBER
23	55.88 [2.200]	60.96 [2.400]	66.04 [2.600]	61.47 [2.420]	3.81 [0.150]	3.81 [0.150]	7.62 [0.300]	6-530218-3
22	53.34 [2.100]	58.42 [2.300]	63.5 [2.500]	58.93 [2.320]	3.81 [0.150]	3.81 [0.150]	7.62 [0.300]	5-530218-9
30	73.66 [2.900]	78.74 [3.100]	83.82 [3.300]	79.25 [3.120]	3.81 [0.150]	3.81 [0.150]	7.62 [0.300]	5-530218-6
17	40.64 [1.600]	45.72 [1.800]	50.8 [2.000]	46.23 [1.820]	3.81 [0.150]	3.81 [0.150]	7.62 [0.300]	5-530218-5
25	60.96 [2.400]	66.04 [2.600]	71.12 [2.800]	66.55 [2.620]	3.81 [0.150]	3.81 [0.150]	7.62 [0.300]	5-530218-1
23	55.88 [2.200]	60.96 [2.400]	66.04 [2.600]	61.47 [2.420]	3.81 [0.150]	3.81 [0.150]	7.62 [0.300]	1-530218-3
15	35.56 [1.400]	40.64 [1.600]	45.72 [1.800]	41.15 [1.620]	0.381 [0.015]	3.81 [0.150]	7.62 [0.300]	1-530218-2
36	88.9 [3.500]	93.98 [3.700]	99.06 [3.900]	94.49 [3.720]	3.81 [0.150]	3.81 [0.150]	7.62 [0.300]	1-530218-1
10	22.86 [0.900]	27.94 [1.100]	33.02 [1.300]	28.45 [1.120]	3.81 [0.150]	3.81 [0.150]	7.62 [0.300]	1-530218-0
22	53.34 [2.100]	58.42 [2.300]	63.5 [2.500]	58.93 [2.320]	3.81 [0.150]	3.81 [0.150]	7.62 [0.300]	530218-9
50	124.46 [4.900]	129.54 [5.100]	132.33 [5.210]	130.05 [5.120]	3.81 [0.150]	3.81 [0.150]	7.62 [0.300]	530218-8
40	99.06 [3.900]	104.14 [4.100]	109.22 [4.300]	104.65 [4.120]	3.81 [0.150]	3.81 [0.150]	7.62 [0.300]	530218-7
30	73.66 [2.900]	78.74 [3.100]	83.82 [3.300]	79.25 [3.120]	3.81 [0.150]	3.81 [0.150]	7.62 [0.300]	530218-6
17	40.64 [1.600]	45.72 [1.800]	50.8 [2.000]	46.23 [1.820]	3.81 [0.150]	3.81 [0.150]	7.62 [0.300]	530218-5
20	48.26 [1.900]	53.34 [2.100]	58.42 [2.300]	53.85 [2.120]	3.81 [0.150]	3.81 [0.150]	7.62 [0.300]	530218-4
13	30.48 [1.200]	35.56 [1.400]	40.64 [1.600]	36.07 [1.420]	3.81 [0.150]	3.81 [0.150]	7.62 [0.300]	530218-3
18	43.18 [1.700]	48.26 [1.900]	53.34 [2.100]	48.77 [1.920]	3.81 [0.150]	3.81 [0.150]	7.62 [0.300]	530218-2
25	60.96 [2.400]	66.04 [2.600]	71.12 [2.800]	66.55 [2.620]	3.81 [0.150]	3.81 [0.150]	7.62 [0.300]	530218-1

THIS DRAWING IS A CONTROLLED DOCUMENT.

DIMENSIONS: mm [INCHES]
 TOLERANCES UNLESS OTHERWISE SPECIFIED:
 0 PLC ± -
 1 PLC ± -
 2 PLC ± -
 3 PLC ± .005
 4 PLC ± -
 ANGLES ± -

MATERIAL: SEE CALLOUT
 FINISH: SEE CALLOUT

DWG: A STAUB_BG 11AUG93
 CHK: H ROSE 08FEB94
 APVD: H ROSE 08FEB94
 NAME: CONNECTOR ASSEMBLY, TWIN LEAF WITH .025 SQ POST, RIGHT ANGLE .100 CENTERS

SIZE: A1
 CAGE CODE: 00779
 DRAWING NO: 530218
 WEIGHT: -
 CUSTOMER DRAWING: YES

Tyco Electronics Corporation
 Harrisburg, PA 17105-3608

SCALE: 4:1
 SHEET: 1 of 1
 REV: W1