



Chipsmall Limited consists of a professional team with an average of over 10 year of expertise in the distribution of electronic components. Based in Hongkong, we have already established firm and mutual-benefit business relationships with customers from,Europe,America and south Asia,supplying obsolete and hard-to-find components to meet their specific needs.

With the principle of “Quality Parts,Customers Priority,Honest Operation,and Considerate Service”,our business mainly focus on the distribution of electronic components. Line cards we deal with include Microchip,ALPS,ROHM,Xilinx,Pulse,ON,Everlight and Freescale. Main products comprise IC,Modules,Potentiometer,IC Socket,Relay,Connector.Our parts cover such applications as commercial,industrial, and automotives areas.

We are looking forward to setting up business relationship with you and hope to provide you with the best service and solution. Let us make a better world for our industry!



Contact us

Tel: +86-755-8981 8866 Fax: +86-755-8427 6832

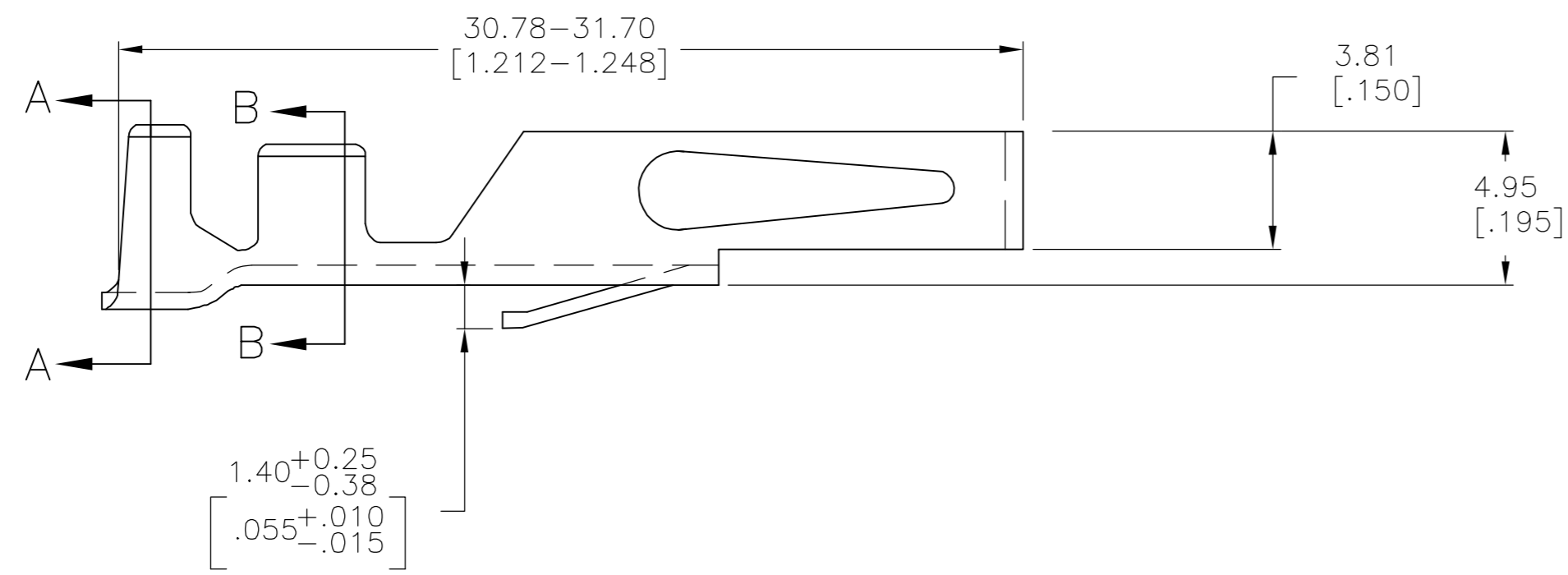
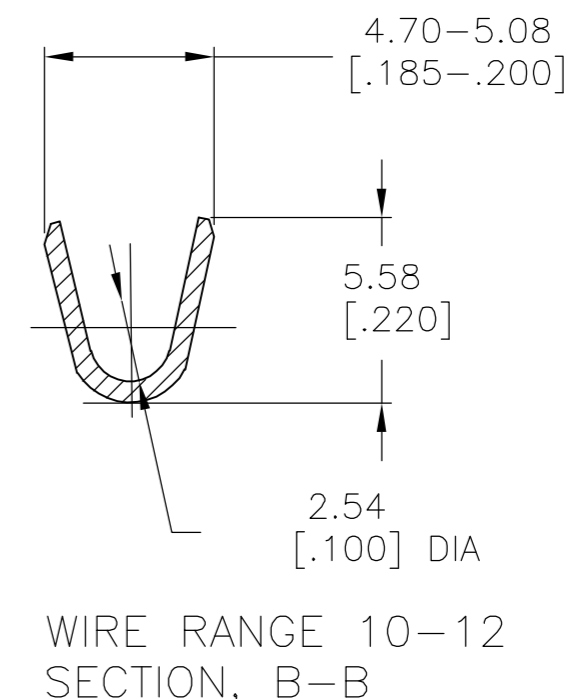
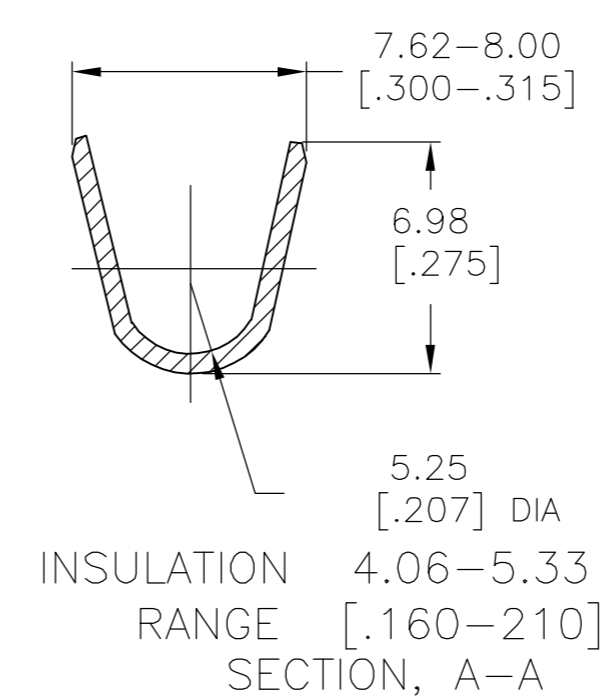
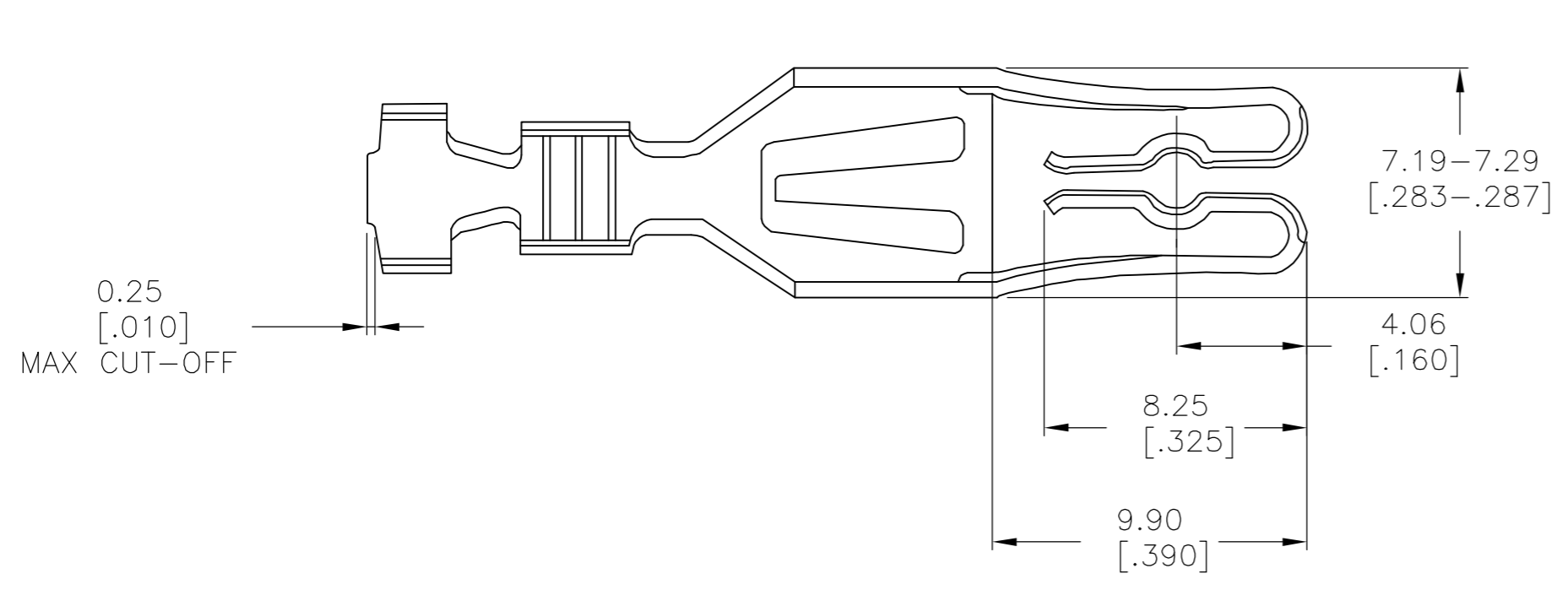
Email & Skype: info@chipsmall.com Web: www.chipsmall.com

Address: A1208, Overseas Decoration Building, #122 Zhenhua RD., Futian, Shenzhen, China



THIS DRAWING IS UNPUBLISHED. RELEASED FOR PUBLICATION
 © COPYRIGHT BY TYCO ELECTRONICS CORPORATION. ALL RIGHTS RESERVED.

LOC		DIST		REVISIONS			
P	LTR	DESCRIPTION		DATE	DWN	APVD	
E		EC OG3C 0067 05		25NOV05	BSV	MM	



- 1 0.0038[.000150] BRIGHT TIN OVER 0.00076[.000030] NICKEL
- 2 0.0038[.000150] MATTE TIN OVER 0.00076[.000030] NICKEL

2	5-530520-1
1	530520-1
FINISH	PART NO

THIS DRAWING IS A CONTROLLED DOCUMENT.		DWN	15 MAY 75	Tyco Electronics Corporation Harrisburg, Pa 17105-3608				
DIMENSIONS: mm [INCHES]		CHK	15 MAY 75					
TOLERANCES UNLESS OTHERWISE SPECIFIED:		APVD	16 MAY 75					
0 PLC ± -	1 PLC ± -	PRODUCT SPEC		NAME LOOSE PIECE CONTACT HIGH CURRENT 10-12 AWG				
2 PLC ± -	3 PLC ± .005	APPLICATION SPEC						
4 PLC ± -	ANGLES ± -	WEIGHT		SIZE	CAGE CODE	DRAWING NO	RESTRICTED TO	
MATERIAL ALLOY CDA-195 1/2 HARD	FINISH 1	CUSTOMER DRAWING		A2	00779	C=530520		
			SCALE	5:1	SHEET	1 OF 1	REV	E

530520