



Chipsmall Limited consists of a professional team with an average of over 10 year of expertise in the distribution of electronic components. Based in Hongkong, we have already established firm and mutual-benefit business relationships with customers from,Europe,America and south Asia,supplying obsolete and hard-to-find components to meet their specific needs.

With the principle of “Quality Parts,Customers Priority,Honest Operation,and Considerate Service”,our business mainly focus on the distribution of electronic components. Line cards we deal with include Microchip,ALPS,ROHM,Xilinx,Pulse,ON,Everlight and Freescale. Main products comprise IC,Modules,Potentiometer,IC Socket,Relay,Connector.Our parts cover such applications as commercial,industrial, and automotives areas.

We are looking forward to setting up business relationship with you and hope to provide you with the best service and solution. Let us make a better world for our industry!



## Contact us

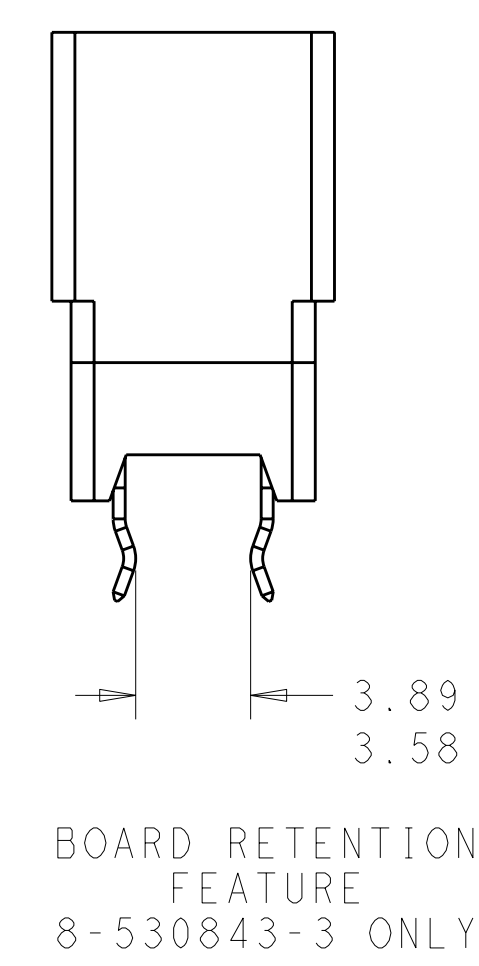
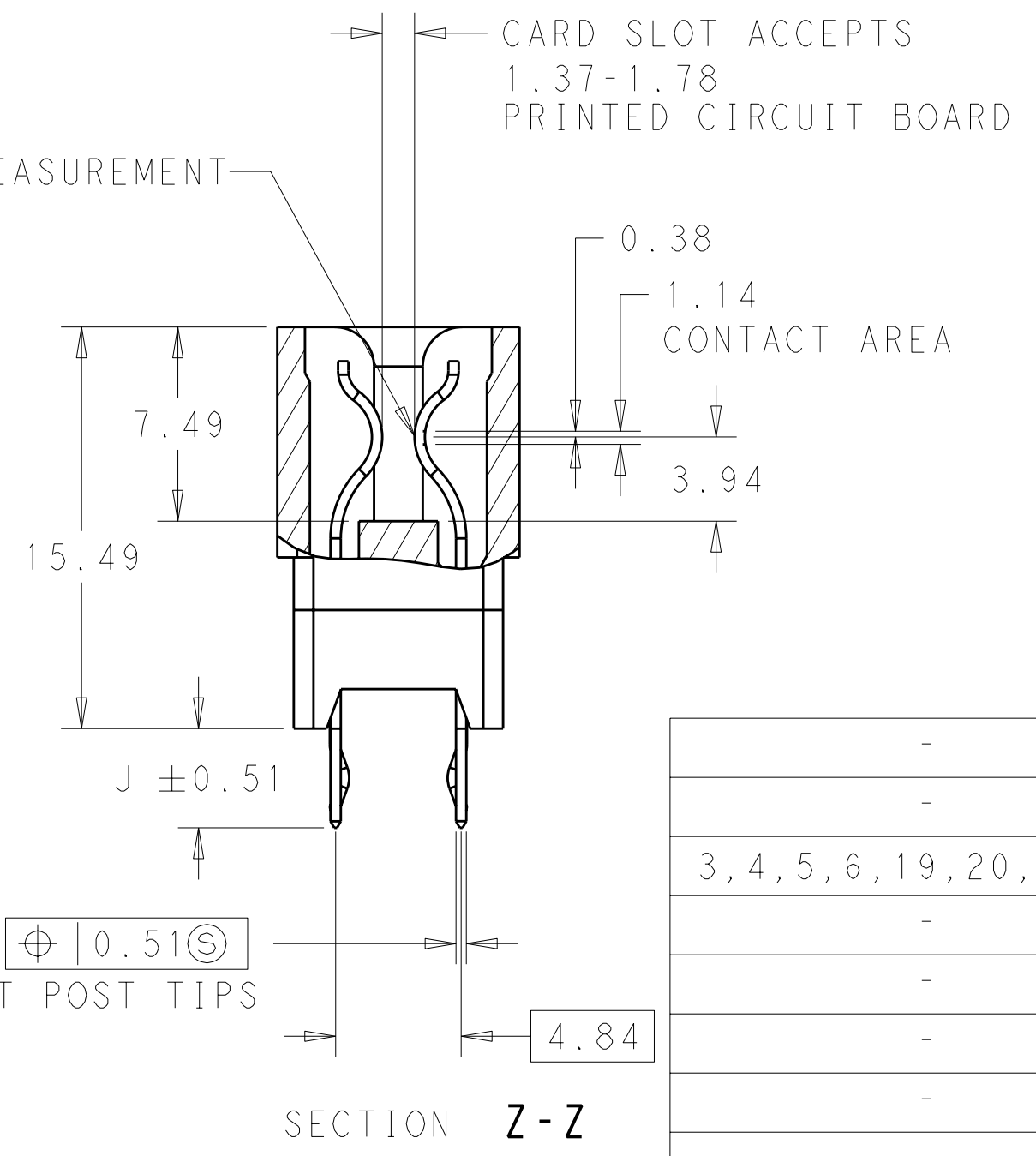
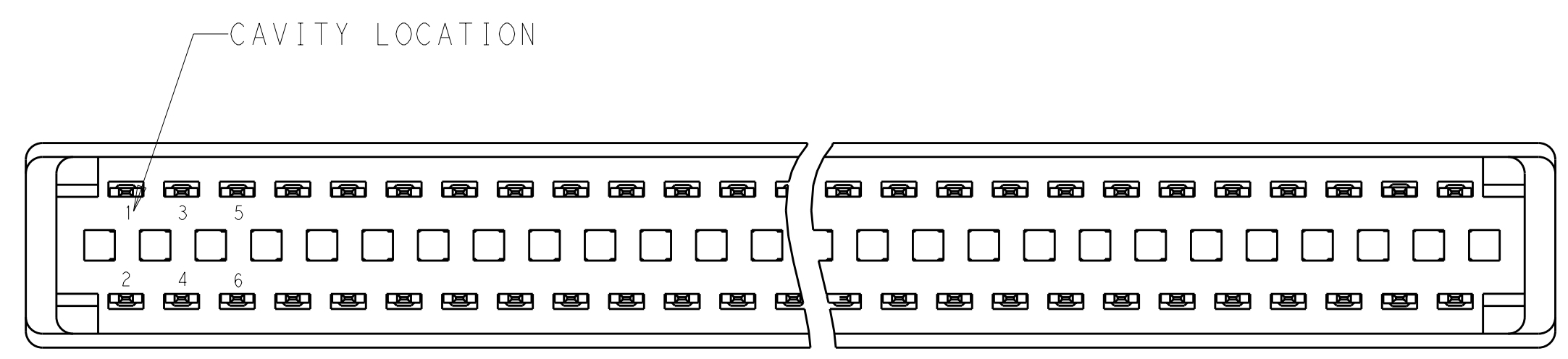
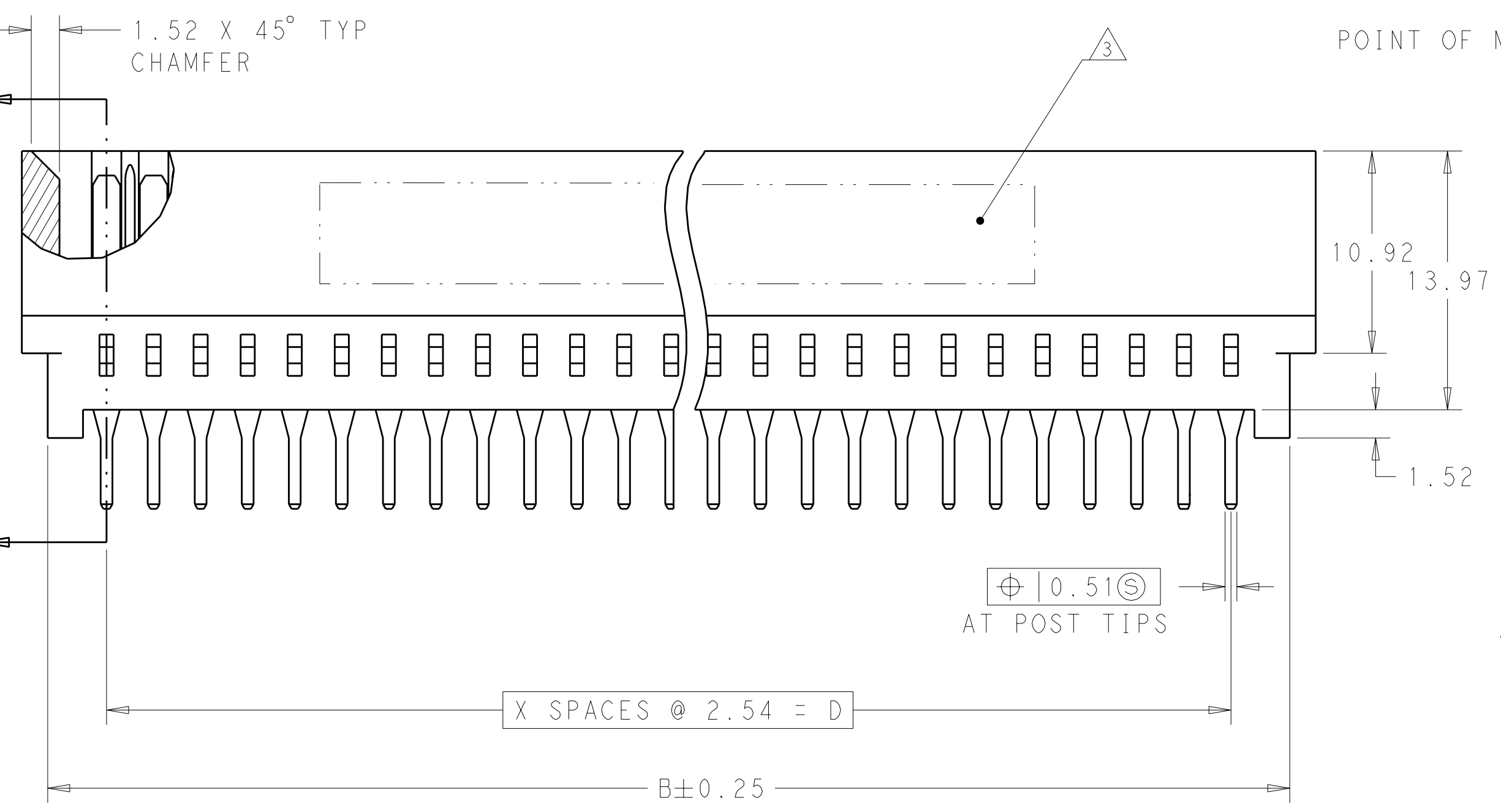
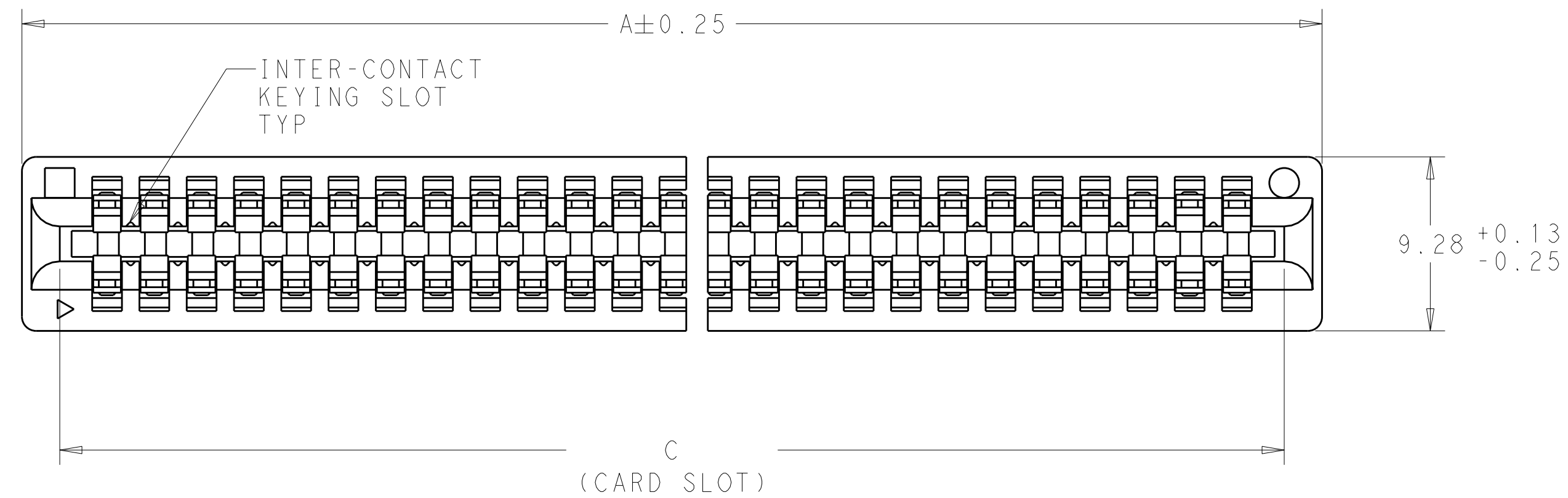
Tel: +86-755-8981 8866 Fax: +86-755-8427 6832

Email & Skype: info@chipsmall.com Web: www.chipsmall.com

Address: A1208, Overseas Decoration Building, #122 Zhenhua RD., Futian, Shenzhen, China



LOC	DIST	REV	DATE	BY	APPD
GP	00	1	11MAR2011	RK	HMR



- MATERIAL:  
HOUSING: GLASS FILLED POLYESTER; COLOR: BLACK  
CONTACT: PHOS BRONZE
- FINISH:  
(SEE TABLE FOR GOLD PLATING) IN CONTACT AREA.  
0.00254 MIN TIN-LEAD ON SOLDER POSTS, ALL  
OVER 0.00127 MIN NICKEL
- AMP LOGO, TE CONNECTIVITY PART NUMBER, DATE CODE AND CSA LOGO INK STAMPED WHITE (HOT STAMPED OR LAZER PRINTED) IN THE APPROXIMATE AREA SHOWN, EITHER SIDE PERMISSABLE, WHEN HOUSING SIZE PERMITS
- RECOMMENDED PCB FINISHED HOLE DIAMETER = 1.02±0.08
- 0.00038 MIN
- 0.00076 MIN
- PRELIMINARY - NOT FOR PRODUCTION

REVISIONS	DATE	BY	APPD
OBSOLETE	8-530843-1		
OBSOLETE	4-530843-1		
OBSOLETE	1-530843-9		
	PART NUMBER		

FINISH	Z	J	D	C	B	A	X	NO. OF DUAL POSITIONS	PART NUMBER	
-	6	19.96	3.18	15.24	20.32	21.59	24.38	6	7	8-530843-5
-	6	22.50	3.18	17.78	22.86	24.13	26.92	7	8	8-530843-4
3, 4, 5, 6, 19, 20, 21, 22	6	32.66	3.18	27.94	33.02	34.29	37.08	11	12	8-530843-3
-	6	9.80	4.75	5.08	10.16	11.43	14.22	2	3	8-530843-2
-	6	9.80	3.18	5.08	10.16	11.43	14.22	2	3	7-530843-7
-	6	17.42	4.75	12.70	17.78	19.05	21.84	5	6	7-530843-6
-	6	17.42	3.18	12.70	17.78	19.05	21.84	5	6	7-530843-5
-	5	80.92	3.18	76.20	81.28	82.55	85.34	30	31	7-530843-0
-	6	80.92	3.18	76.20	81.28	82.55	85.34	30	31	6-530843-5
-	6	154.58	3.18	149.86	154.94	156.21	159.00	59	60	5-530843-5
-	6	52.98	3.18	48.26	53.34	54.61	57.40	19	20	5-530843-4
-	6	45.36	3.18	40.64	45.72	46.99	49.78	16	17	5-530843-3
-	6	27.58	3.18	22.86	27.94	29.21	32.00	9	10	5-530843-0
-	6	47.90	3.18	43.18	48.26	49.53	52.32	17	18	2-530843-7
-	6	91.08	3.18	86.36	91.44	92.71	95.50	34	35	2-530843-3
-	6	129.18	4.75	124.46	129.54	130.81	133.60	49	50	2-530843-2
-	6	103.78	4.75	99.06	104.14	105.41	108.20	39	40	2-530843-0
-	6	78.38	4.75	73.66	78.74	80.01	82.80	29	30	1-530843-8
-	6	32.66	4.75	27.94	33.02	34.29	37.08	11	12	1-530843-2
-	6	111.40	3.18	106.68	111.76	113.03	115.82	42	43	1-530843-0
-	6	93.62	3.18	88.90	93.98	95.25	98.04	35	36	530843-8
-	6	78.38	3.18	73.66	78.74	80.01	82.80	29	30	530843-7
-	6	73.30	3.18	68.58	73.66	74.93	77.72	27	28	530843-6
-	6	68.22	3.18	63.50	66.04	67.31	70.10	24	25	530843-5
-	6	58.06	3.18	53.34	58.42	59.69	62.48	21	22	530843-4
-	6	47.90	3.18	43.18	48.26	49.53	52.32	17	18	530843-3
-	6	40.28	3.18	35.56	40.64	41.91	44.70	14	15	530843-2
-	6	32.66	3.18	27.94	33.02	34.29	37.08	11	12	530843-1

THIS DRAWING IS A CONTROLLED DOCUMENT.

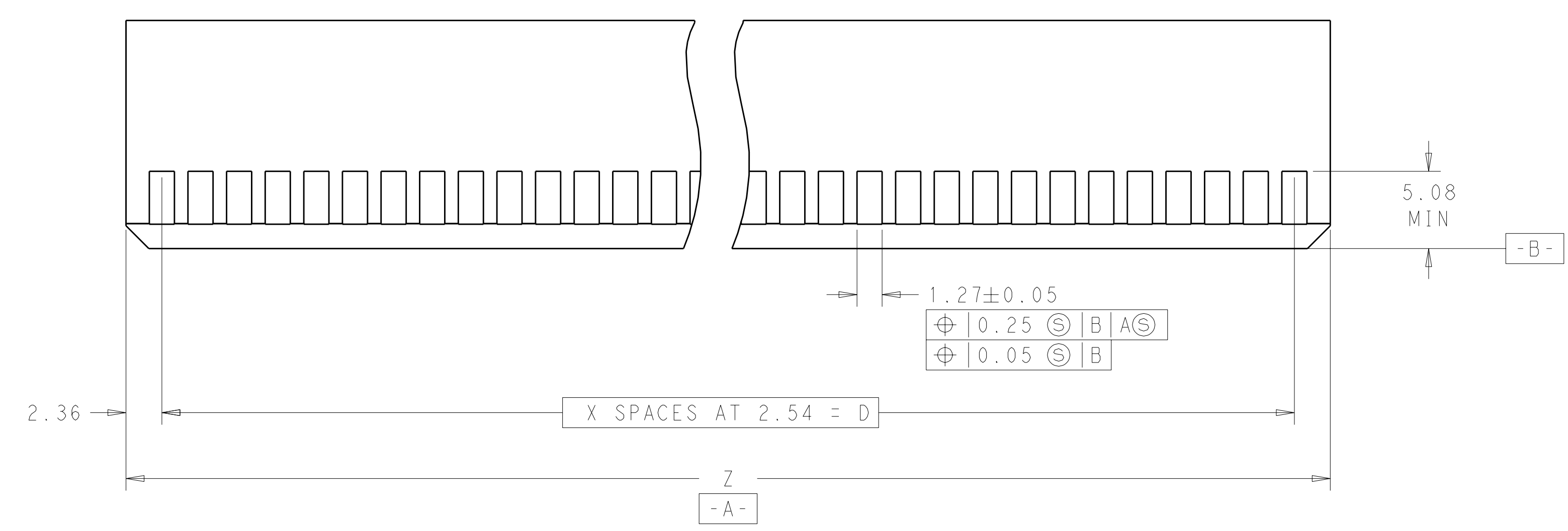
DATE: 11SEP2009  
 DWG: MAYER/GBZYBOWSKI  
 CHK: HOWARD  
 APPD: PERCHERKE  
 NAME: PERCHERKE

PRODUCT SPEC: 108-9039  
 APPLICATION SPEC: 114-13018  
 WEIGHT: -  
 CUSTOMER DRAWING

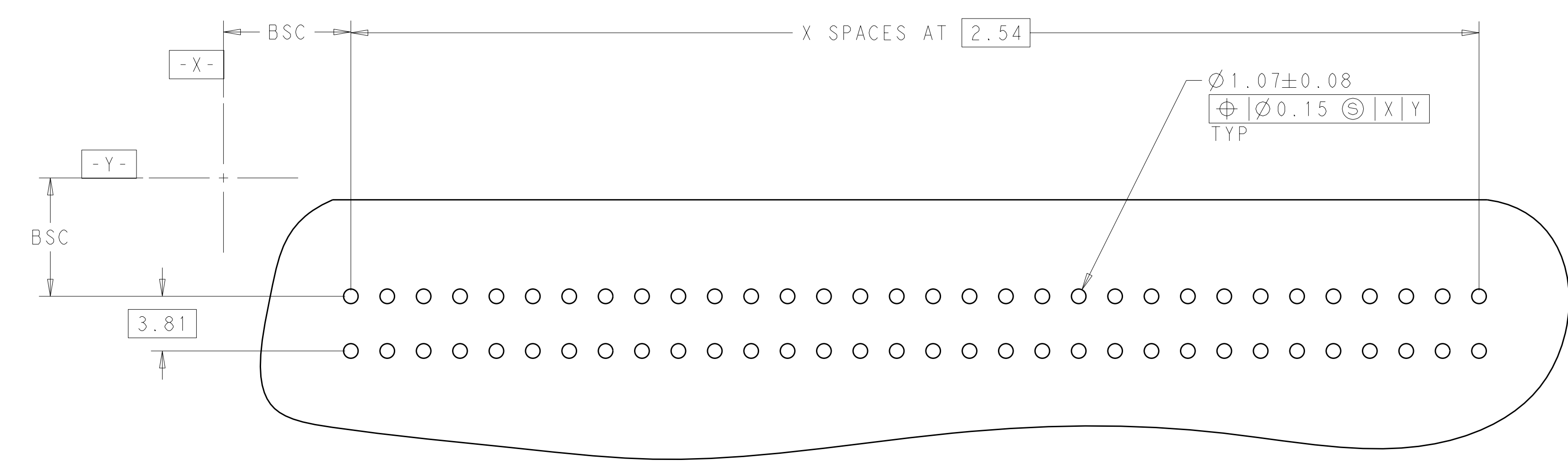
SCALE: 4:1  
 SHEET: 1 OF 2  
 REV: AT5

**OBSOLETE**  
 NOT THE LATEST REVISION

LOC	DIST	REVISIONS			
GP	00	REV	DATE	BY	APPD
		-	-	-	-
		SEE SHEET 1			



RECOMMENDED MAIN BOARD EDGE CONFIGURATION



RECOMMENDED PC BOARD HOLE LAYOUT

THIS DRAWING IS A CONTROLLED DOCUMENT.		DWN: MAYER/GBZYBOWSKI 11SEP2009		CHK: HOWARD 11SEP2009		APVD: PERCHERKE 11SEP2009		NAME: NAME	
DIMENSIONS: MM		TOLERANCES UNLESS OTHERWISE SPECIFIED:		PRODUCT SPEC: 108-9039		APPLICATION SPEC: 114-13018		SIZE: CAGE CODE: DRAWING NO: A100779 C=530843	
MATERIAL: SEE NOTE 1		FINISH: #2		WEIGHT: -		CUSTOMER DRAWING		RESTRICTED TO: -	
SCALE: 4:1		SHEET: 2 OF 2		REV: AT5					