



Chipsmall Limited consists of a professional team with an average of over 10 year of expertise in the distribution of electronic components. Based in Hongkong, we have already established firm and mutual-benefit business relationships with customers from,Europe,America and south Asia,supplying obsolete and hard-to-find components to meet their specific needs.

With the principle of "Quality Parts,Customers Priority,Honest Operation,and Considerate Service",our business mainly focus on the distribution of electronic components. Line cards we deal with include Microchip,ALPS,ROHM,Xilinx,Pulse,ON,Everlight and Freescale. Main products comprise IC,Modules,Potentiometer,IC Socket,Relay,Connector.Our parts cover such applications as commercial,industrial, and automotives areas.

We are looking forward to setting up business relationship with you and hope to provide you with the best service and solution. Let us make a better world for our industry!



## Contact us

Tel: +86-755-8981 8866 Fax: +86-755-8427 6832

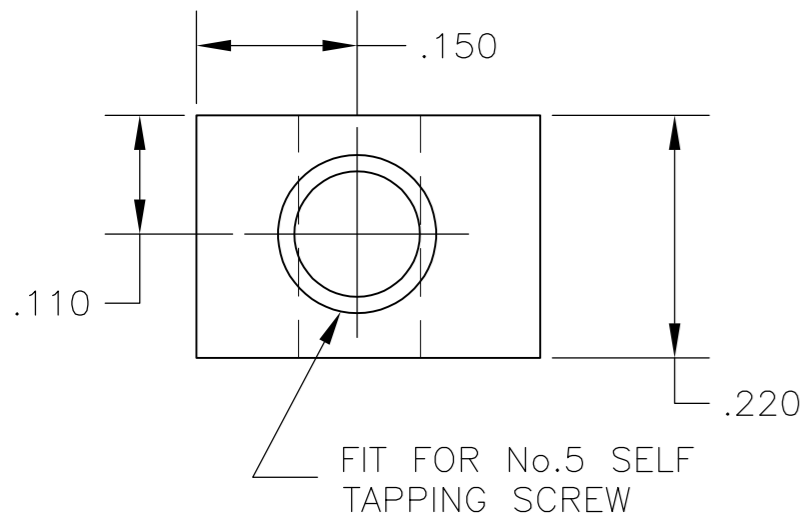
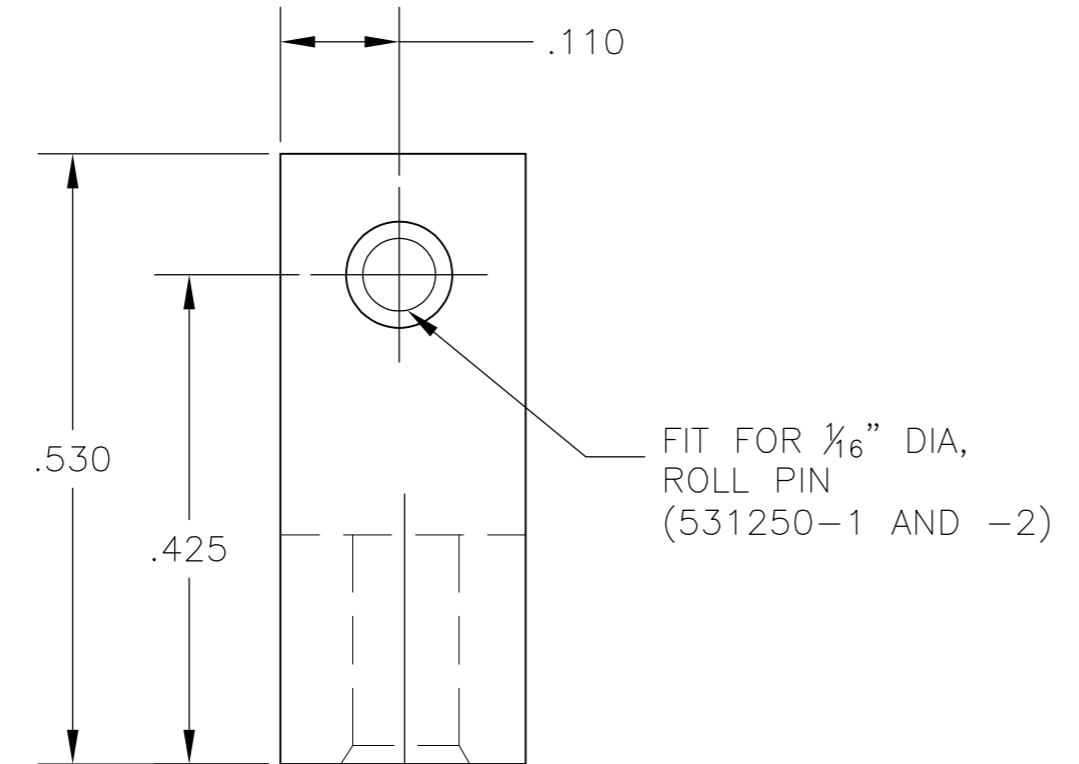
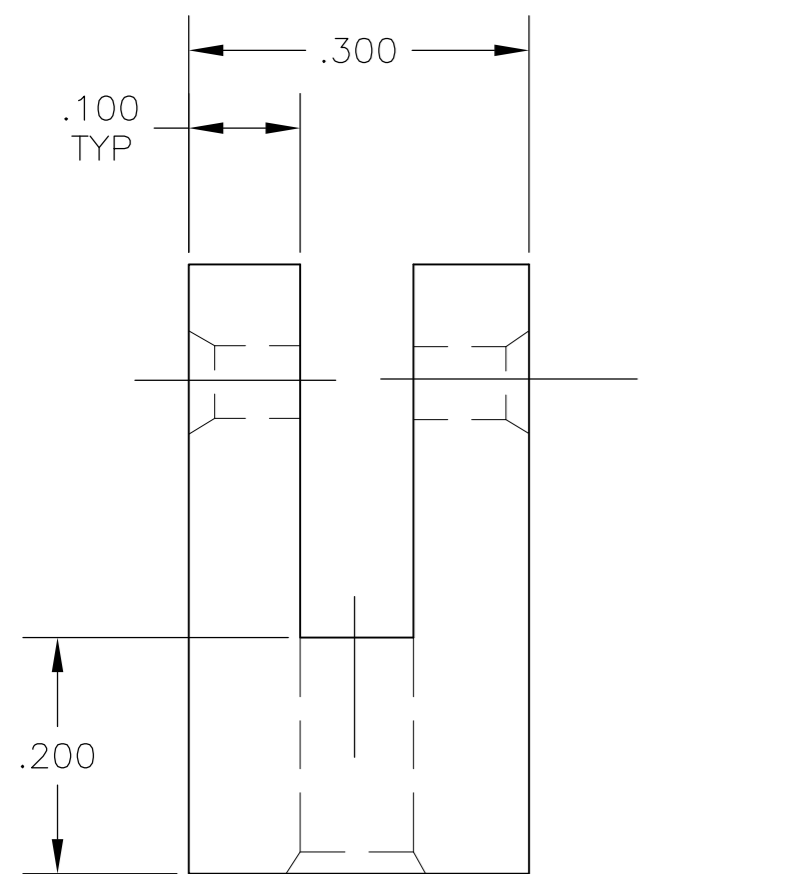
Email & Skype: info@chipsmall.com Web: www.chipsmall.com

Address: A1208, Overseas Decoration Building, #122 Zhenhua RD., Futian, Shenzhen, China

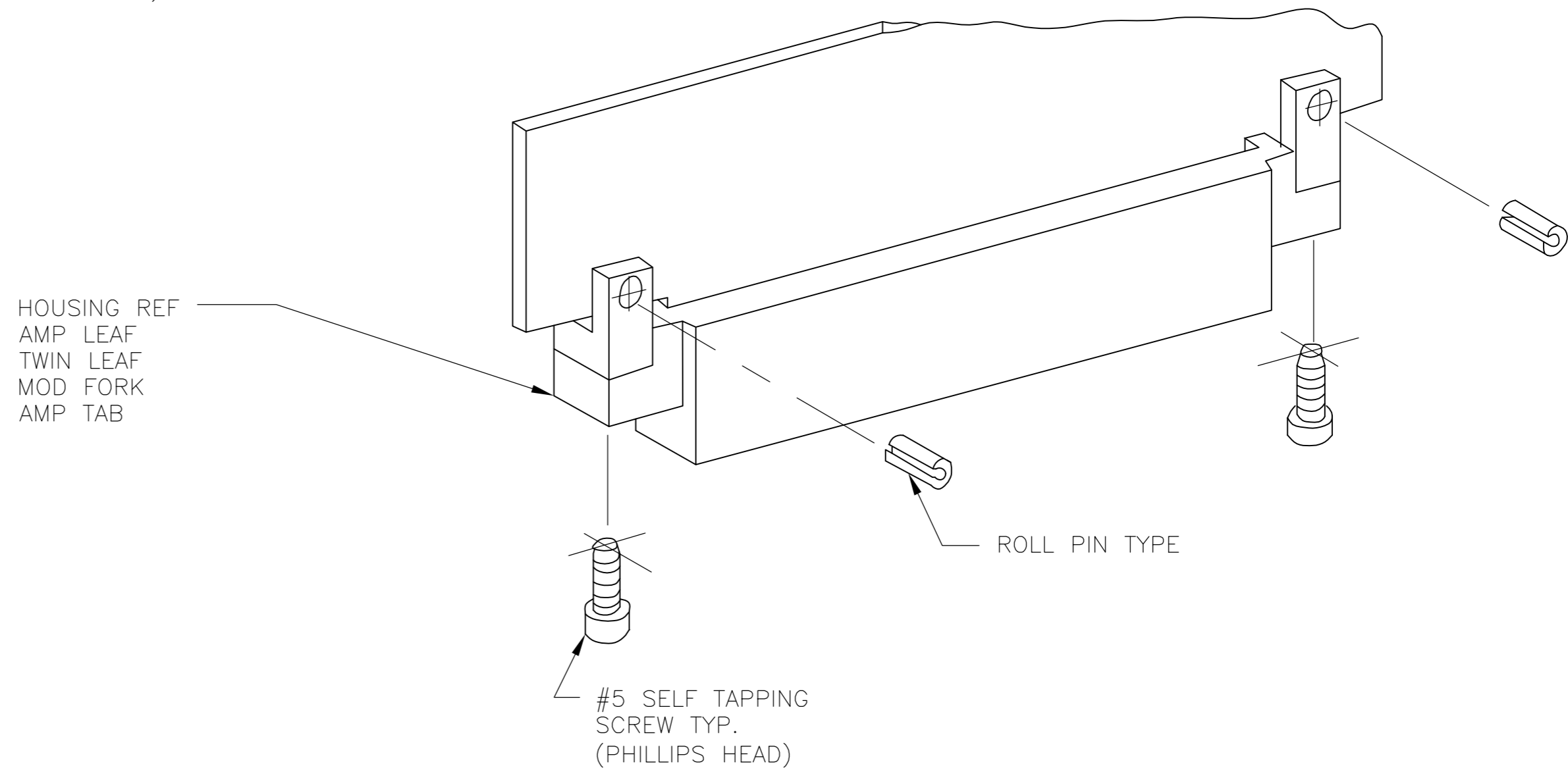


THIS DRAWING IS UNPUBLISHED. RELEASED FOR PUBLICATION  
 © COPYRIGHT BY TYCO ELECTRONICS CORPORATION. ALL INTERNATIONAL RIGHTS RESERVED.

LOC	DIST	REVISIONS			
P	LTR	DESCRIPTION	DATE	DWN	APVD
AD	00	H	REVISED PER ECO-09-004905	02MAR09	HMR MM



- SUPERSEDED  $\triangle 1$  531250-1 KIT INCLUDES: 2=531250-2, 2=SCREWS #5 X 3/8", 2=ROLL PINS 1/16" X 1/4"
- $\triangle 2$  531250-2 AS SHOWN (BOARD RETAINER ONLY)
- OBSOLETE  $\triangle 3$  530250-3 KIT: SAME AS 530250-2 EXCEPT HOLE DIA IS .125 IN PLACE OF FIT FOR 1/16" ROLL PIN
- SUPERSEDED  $\triangle 4$  530250-4 KIT INCLUDES: 2=531250-2, 2=SCREWS #5 X 7/16", 2=ROLL PINS 1/16" X 1/4"
- $\triangle 5$  5-530250-4 KIT (LEAD FREE) INCLUDES: 2=531250-2, 2 SCREWS #5 X 7/16", 2=ROLL PINS 1/16" X 1/4"



SUPERSEDED BY 5-531250-4	$\triangle 5$	5-531250-4
	$\triangle 4$	531250-4
OBSOLETE	$\triangle 3$	531250-3
	$\triangle 2$	531250-2
SUPERSEDED BY 5-531250-4	$\triangle 1$	531250-1
		DESCRIPTION
		PART NO

DIMENSIONS:		TOLERANCES UNLESS OTHERWISE SPECIFIED:		DWN		CHK		APVD		NAME	
INCHES		0 PLC	± -	A.M.SHARPE		RACILLA		RACILLA		Tyco Electronics Corporation	
		1 PLC	± -	11JULY78		RACILLA		RACILLA		Harrisburg, PA 17105-3608	
		2 PLC	± -			PRODUCT SPEC		PRODUCT SPEC		BOARD RETAINER, CARD EDGE, I/O CONN	
		3 PLC	± -			APPLICATION SPEC		APPLICATION SPEC		SIZE	
		4 PLC	± -							CAGE CODE	
		ANGLES	± -							DRAWING NO	
		FINISH	-							RESTRICTED TO	
MATERIAL				WEIGHT		A2 00779		C=531250			
NYLON				CUSTOMER DRAWING		SCALE		SHEET		REV	
						6:1		1 of 1		H	

531250