



Chipsmall Limited consists of a professional team with an average of over 10 year of expertise in the distribution of electronic components. Based in Hongkong, we have already established firm and mutual-benefit business relationships with customers from,Europe,America and south Asia,supplying obsolete and hard-to-find components to meet their specific needs.

With the principle of “Quality Parts,Customers Priority,Honest Operation,and Considerate Service”,our business mainly focus on the distribution of electronic components. Line cards we deal with include Microchip,ALPS,ROHM,Xilinx,Pulse,ON,Everlight and Freescale. Main products comprise IC,Modules,Potentiometer,IC Socket,Relay,Connector.Our parts cover such applications as commercial,industrial, and automotives areas.

We are looking forward to setting up business relationship with you and hope to provide you with the best service and solution. Let us make a better world for our industry!



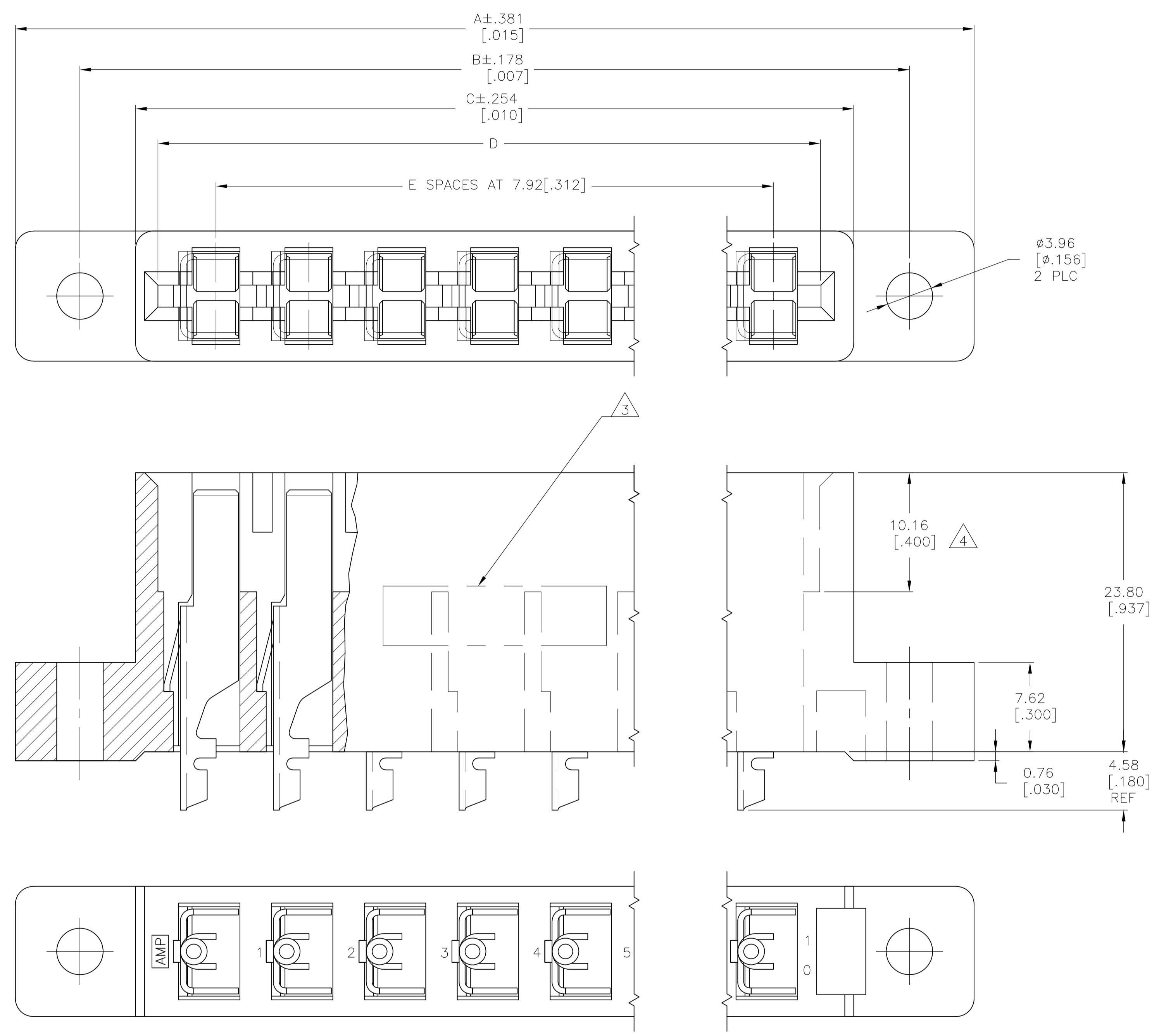
## Contact us

Tel: +86-755-8981 8866 Fax: +86-755-8427 6832

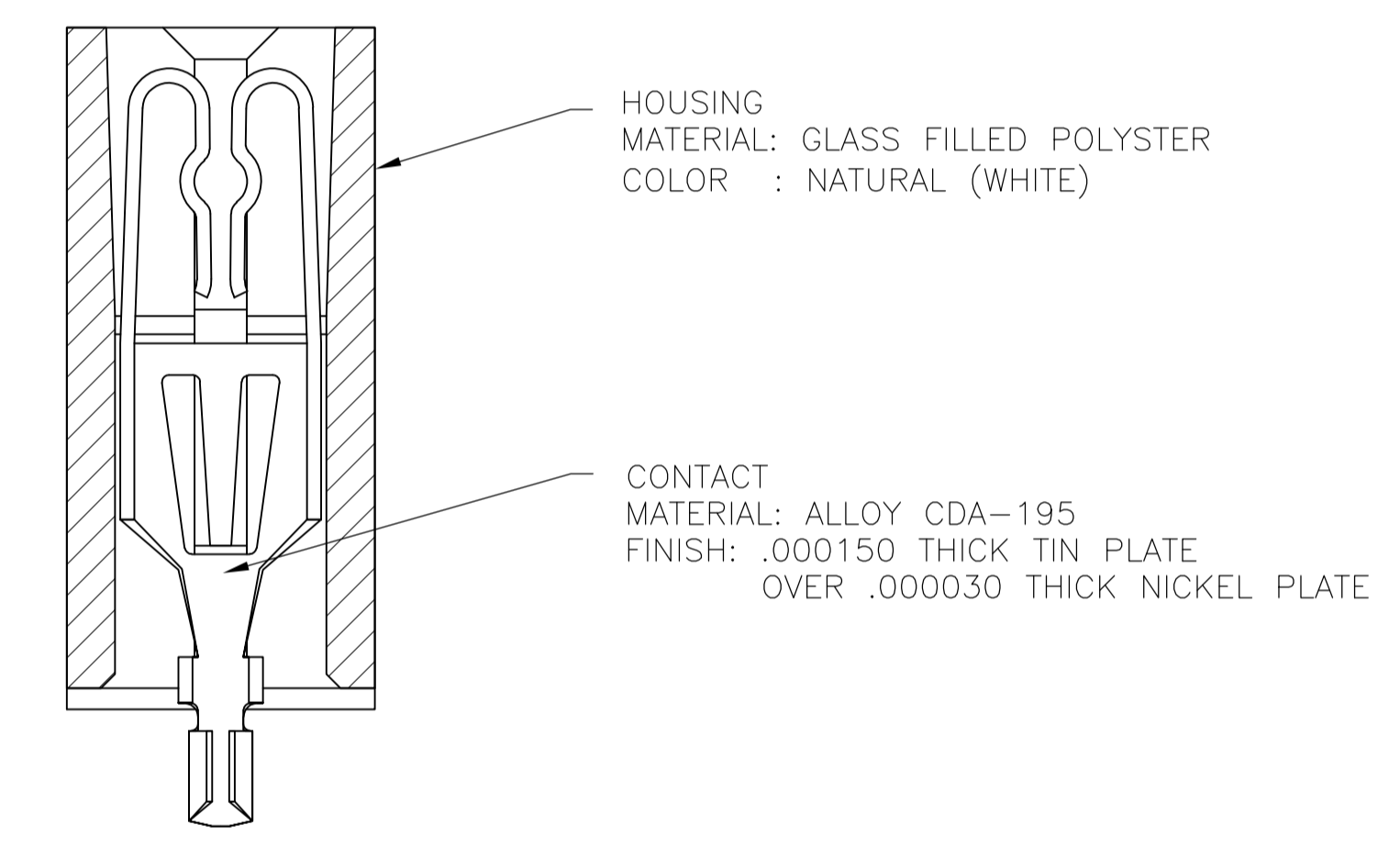
Email & Skype: info@chipsmall.com Web: www.chipsmall.com

Address: A1208, Overseas Decoration Building, #122 Zhenhua RD., Futian, Shenzhen, China

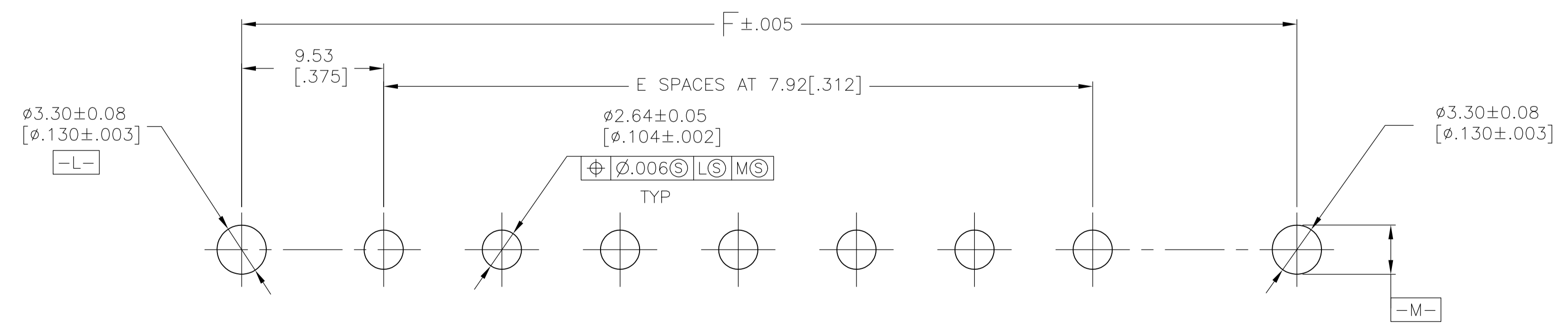




1. A 1/16" THICK DUMMY PC BOARD SHOULD BE INSERTED DURING SOLDERING.
2. MEASURE ACROSS MOUNTING EARS. MAY GOTO .020 OVER NOMINAL AT TOP OF THE HOUSING.
3. AVOID CORING OPTION.
4. MATTE TIN PLATED POST.
5. OBSOLETE PARTS: OBSOLETE CIS STREAMLINING PER D.RENAUD/D.SINISI



OBSOLETE	4.346	11	3.832	3.972	4.346	4.780	12	△ 5-531353-9
△ 5	3.722	9	3.208	3.348	3.722	4.156	10	△ 4 5-531353-8
OBSOLETE	3.410	8	2.896	3.036	3.410	3.844	9	△ 4 5-531353-7
	3.098	7	2.584	2.724	3.098	3.532	8	△ 4 5-531353-6
	2.474	5	1.960	2.100	2.474	2.908	6	△ 4 5-531353-5
△ 5 OBSOLETE	2.162	4	1.648	1.788	2.162	2.593	5	△ 4 5-531353-4
	1.850	3	1.336	1.476	1.850	2.284	4	△ 4 5-531353-3
△ 4	1.538	2	1.024	1.164	1.538	1.972	3	△ 4 5-531353-2
OBSOLETE	1.226	1	0.712	0.852	1.226	1.660	2	△ 4 5-531353-1
	4.346	11	3.832	3.972	4.346	4.780	12	531353-9
△ 5	3.722	9	3.208	3.348	3.722	4.156	10	531353-8
OBSOLETE	3.410	8	2.896	3.036	3.410	3.844	9	531353-7
	3.098	7	2.584	2.724	3.098	3.532	8	531353-6
	2.474	5	1.960	2.100	2.474	2.908	6	531353-5
△ 5 OBSOLETE	2.162	4	1.648	1.788	2.162	2.593	5	531353-4
	1.850	3	1.336	1.476	1.850	2.284	4	531353-3
△ 4	1.538	2	1.024	1.164	1.538	1.972	3	531353-2
OBSOLETE	1.226	1	0.712	0.852	1.226	1.660	2	531353-1
	F	E	D	C	B	A	NO. OF POSN	PART NUMBER



THIS DRAWING IS A CONTROLLED DOCUMENT. **STE** TE Connectivity

DIMENSIONS: mm [INCHES]	TOLERANCES UNLESS OTHERWISE SPECIFIED:	DIN R BROWN 230CT94	APVO C MOSHER 230CT94	NAME
	0 PLC ± -	CHK C MOSHER 230CT94	PRODUCT SPEC	CONNECTOR ASSEMBLY, HIGH CURRENT
	1 PLC ± -	APVO C MOSHER 230CT94	APPLICATION SPEC	SIZE CAGE CODE DRAWING NO
	2 PLC ± -			A1 00779 C=531353
	3 PLC ± .005			RESTRICTED TO
	4 PLC ± -			
	ANGLES ± °			
MATERIAL SEE CALLOUTS	FINISH SEE CALLOUTS	WEIGHT	SCALE 4:1	SHEET 1 OF 1 REV H4
			CUSTOMER DRAWING	