



Chipsmall Limited consists of a professional team with an average of over 10 year of expertise in the distribution of electronic components. Based in Hongkong, we have already established firm and mutual-benefit business relationships with customers from,Europe,America and south Asia,supplying obsolete and hard-to-find components to meet their specific needs.

With the principle of “Quality Parts,Customers Priority,Honest Operation,and Considerate Service”,our business mainly focus on the distribution of electronic components. Line cards we deal with include Microchip,ALPS,ROHM,Xilinx,Pulse,ON,Everlight and Freescale. Main products comprise IC,Modules,Potentiometer,IC Socket,Relay,Connector.Our parts cover such applications as commercial,industrial, and automotives areas.

We are looking forward to setting up business relationship with you and hope to provide you with the best service and solution. Let us make a better world for our industry!



Contact us

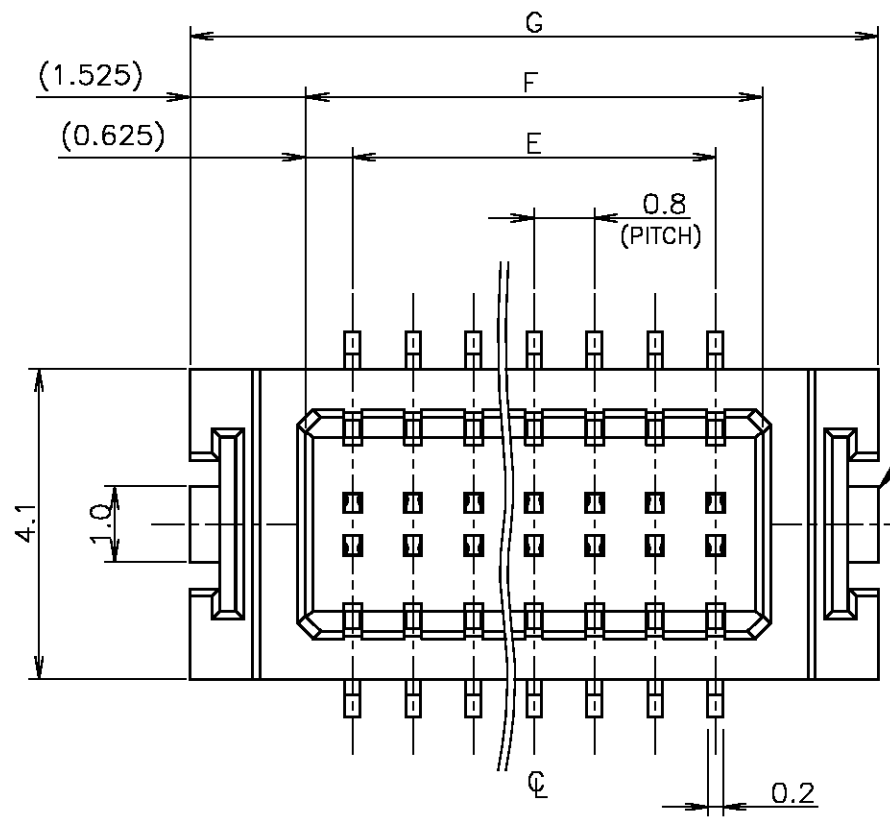
Tel: +86-755-8981 8866 Fax: +86-755-8427 6832

Email & Skype: info@chipsmall.com Web: www.chipsmall.com

Address: A1208, Overseas Decoration Building, #122 Zhenhua RD., Futian, Shenzhen, China



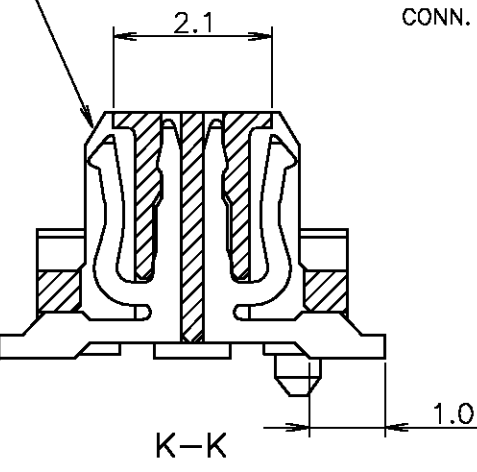
本図：コネクタ図
AS SHOWN: CONNECTOR DWG



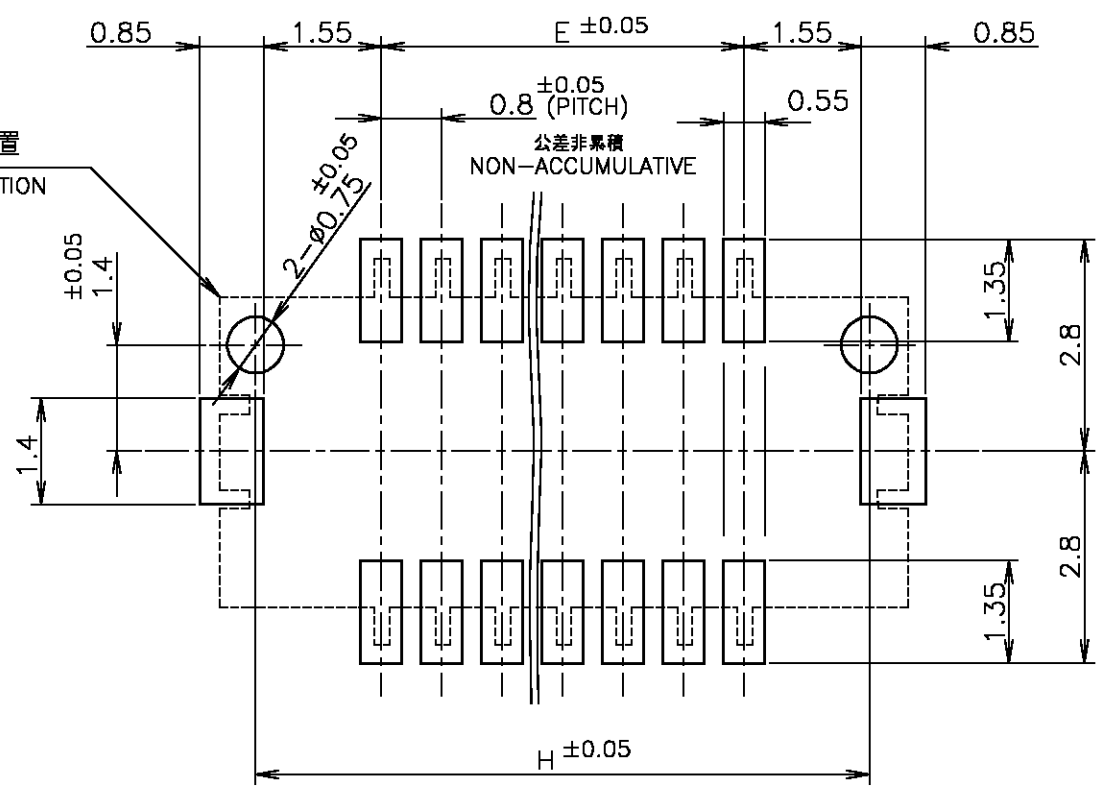
リセプタクルハウジング
RECEPTACLE HOUSING

テールプレート
TAIL PLATE

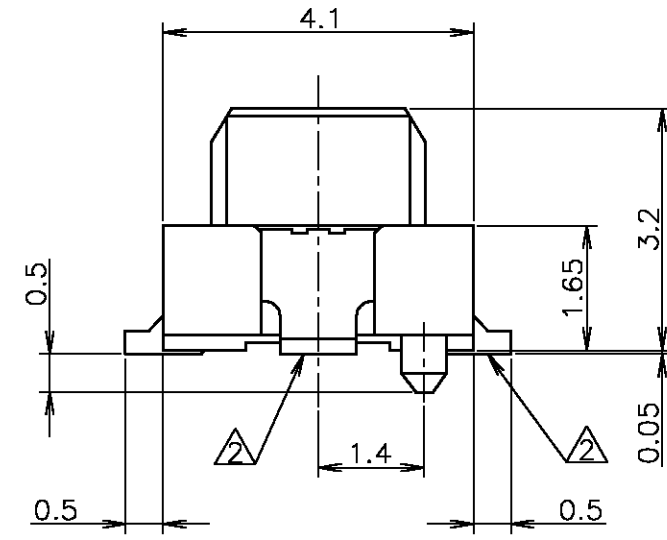
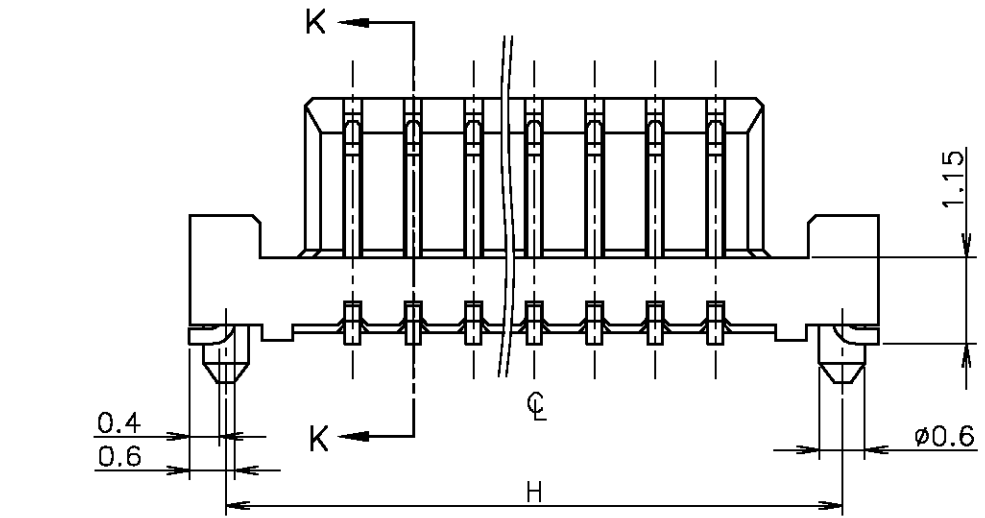
リセプタクルコンタクト
RECEPTACLE CONTACT



コネクタ位置
CONN. POSITION



参考基板加工寸法
REFERENCE P.C BOARD LAYOUT



- 1 材料：リセプタクルハウジング：46ナイロン
(耐熱性樹脂)
リセプタクルコンタクト：銅合金 (t=0.2mm)
金めっき
テールプレート：銅合金 (t=0.2mm)
錫めっき

△ 全てのタイン部及びテールプレートのバラツキは 0.1mm MAX.

- 1 MATERIAL
REC HOUSING: 46 NYLON (HIGH HEAT-RESISTED RESIN)
REC CONTACT: COPPER-ALLOY (t=0.2mm)
Au PLATING
TAIL PLATE: COPPER-ALLOY (t=0.2mm)
POST TIN PLATING

△ MISALIGNMENT BETWEEN TAINS AND TAIL PLATE: 0.1mm MAX.

GENERAL TOLERANCE
一般公差

10 ≥	±0.2
30 ≥ > 10	±0.25
100 ≥ > 30	±0.3
ANGLES	±3°

THIS DRAWING IS A CONTROLLED DOCUMENT.

DIMENSIONS: 単位：mm	TOLERANCES UNLESS OTHERWISE SPECIFIED: 一般公差
	0 PLC ±
	1 PLC ±
	2 PLC ±
	3 PLC ±
	4 PLC ±
ANGLES	±
FINISH 仕上	

MATERIAL
材料

INSTRUCTION SHEET 取扱説明書	22.55	23.5	20.45	19.2	50	5-5316464-0
411-5808	H	G	F	E	極数 POS	型番 PART NO
DWN	Tyco Electronics AMP K.K. Kawasaki, Japan					
CHK						
APVD	NAME 名称					
PRODUCT SPEC 製品規格	ON TAPING EMBOSS 0.8mm PITCH FINE MATE CONN RECEPTACLE ASSEMBLY WITH BOSS					
APPLICATION SPEC 取付適用規格	108-5512					
WEIGHT	SIZE	CAGE CODE	DRAWING NO 番号	RESTRICTED TO		
CUSTOMER DRAWING	A3	00779	C-5316464	-		
	SCALE 尺度	SHEET 2 OF 2		REV 0		
	10:1					