



Chipsmall Limited consists of a professional team with an average of over 10 year of expertise in the distribution of electronic components. Based in Hongkong, we have already established firm and mutual-benefit business relationships with customers from,Europe,America and south Asia,supplying obsolete and hard-to-find components to meet their specific needs.

With the principle of “Quality Parts,Customers Priority,Honest Operation,and Considerate Service”,our business mainly focus on the distribution of electronic components. Line cards we deal with include Microchip,ALPS,ROHM,Xilinx,Pulse,ON,Everlight and Freescale. Main products comprise IC,Modules,Potentiometer,IC Socket,Relay,Connector.Our parts cover such applications as commercial,industrial, and automotives areas.

We are looking forward to setting up business relationship with you and hope to provide you with the best service and solution. Let us make a better world for our industry!



Contact us

Tel: +86-755-8981 8866 Fax: +86-755-8427 6832

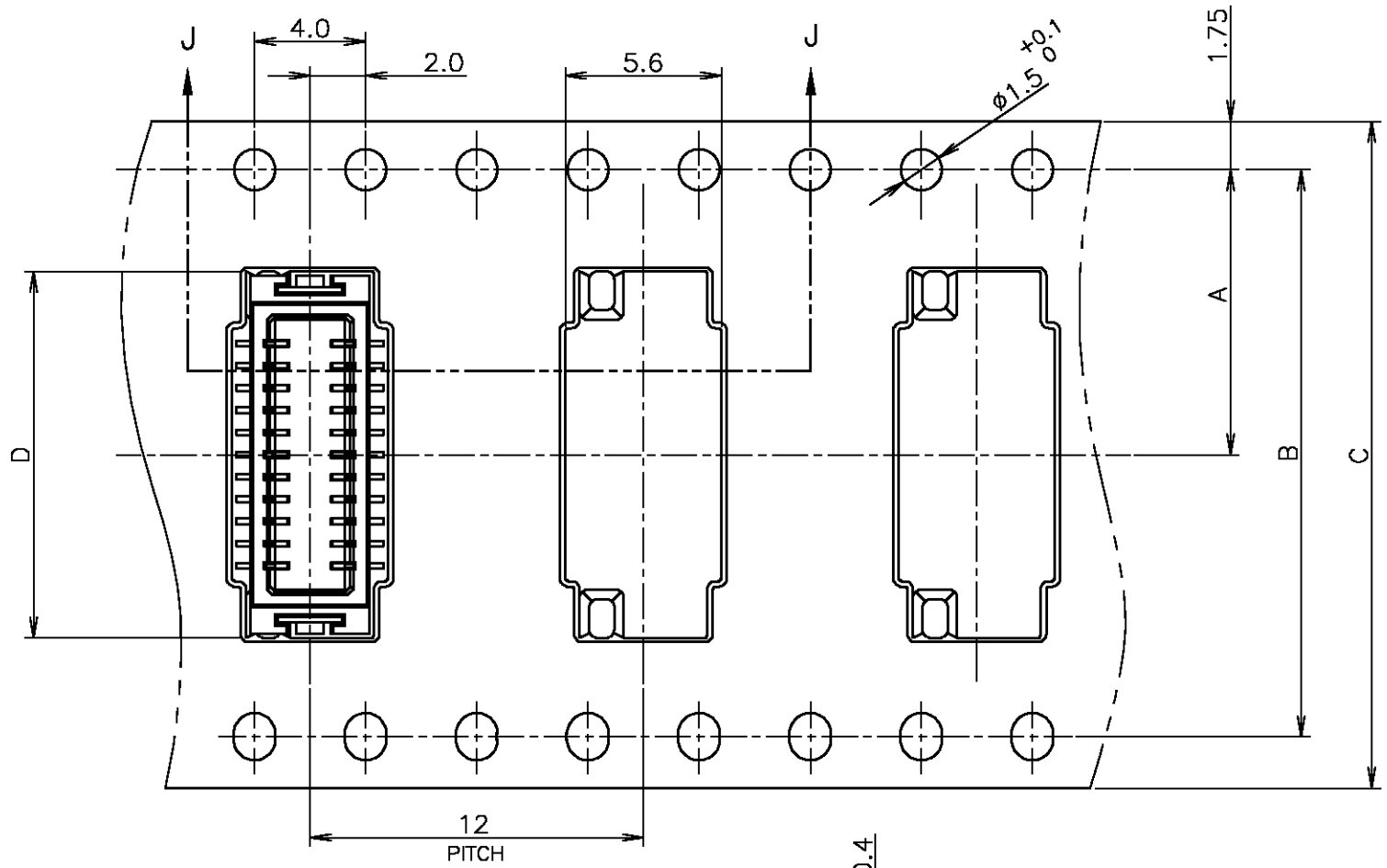
Email & Skype: info@chipsmall.com Web: www.chipsmall.com

Address: A1208, Overseas Decoration Building, #122 Zhenhua RD., Futian, Shenzhen, China

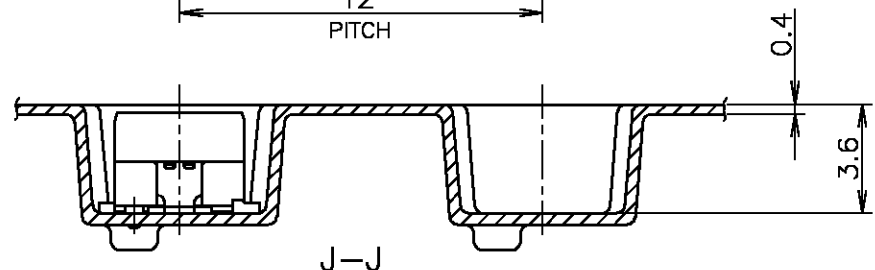


THIS DRAWING IS UNPUBLISHED. RELEASED FOR PUBLICATION DEC, 2004.
 © COPYRIGHT 2004 BY TYCO ELECTRONICS CORPORATION. ALL RIGHTS RESERVED.

LOC	DIST	REVISIONS					
		P	LTR	DESCRIPTION	DATE	DWN	APVD
J		0		RELEASED FJB0-1439-04	27DEC04	M.I	T.K

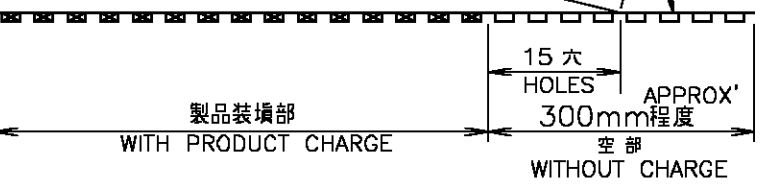
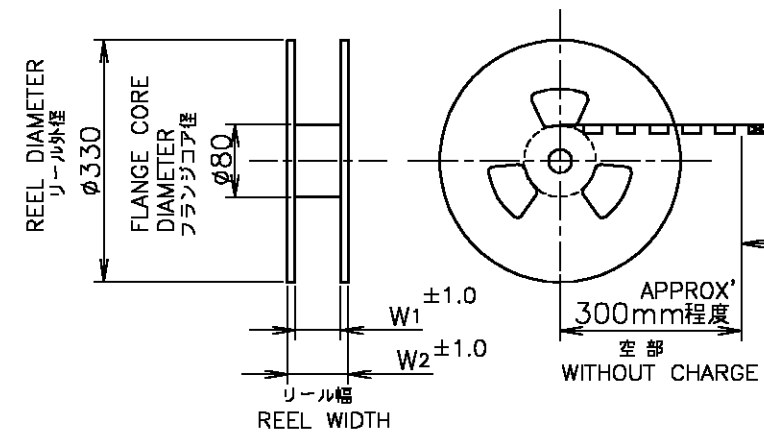


テープ幅
TAPE WIDTH



引出し方向
TOP OF REEL →

カバーテープ
リーダー部
外周一巻
WEEDING THE COVER TAPE
AROUND THE OUTER
PERIPHERY IN
A TURN.
剥離角度, 165°~180°
PEELING ANGLE.



48.7	45.5	23.8	44	40.4	20.2	1000	50	5-5316466-0
W2	W1	D	C	B	A	数量 QTY/REEL	極数 POS	リール巻 コネクタ型番 TAPING P/N

THIS DRAWING IS A CONTROLLED DOCUMENT.

DWN	M.IWASAKI	27DEC04		Tyco Electronics AMP K.K. Kawasaki, Japan
CHK	Y.NAKAZAWA	27DEC04		
APVD	T.KUSUHARA	27DEC04		
PRODUCT SPEC	製品規格			
APPLICATION SPEC	取付適用規格		ON TAPING EMBOSS 0.8mm PITCH FINE MATE CONN TAB ASSEMBLY WITH BOSS V-TYPE	
WEIGHT	SIZE	CAGE CODE	DRAWING NO	RESTRICTED TO
	A3	00779	C-5316466	

CUSTOMER DRAWING

SCALE 4:1 SHEET 1 OF 2 REV 0

GENERAL TOLERANCE
一般公差

10 ≥ : ±0.2
 30 ≥ > 10: ±0.25
 100 ≥ > 30: ±0.3
 ANGLES: ±3'

DIMENSIONS:
単位: 筈
mm

TOLERANCES UNLESS
OTHERWISE SPECIFIED:
一般公差

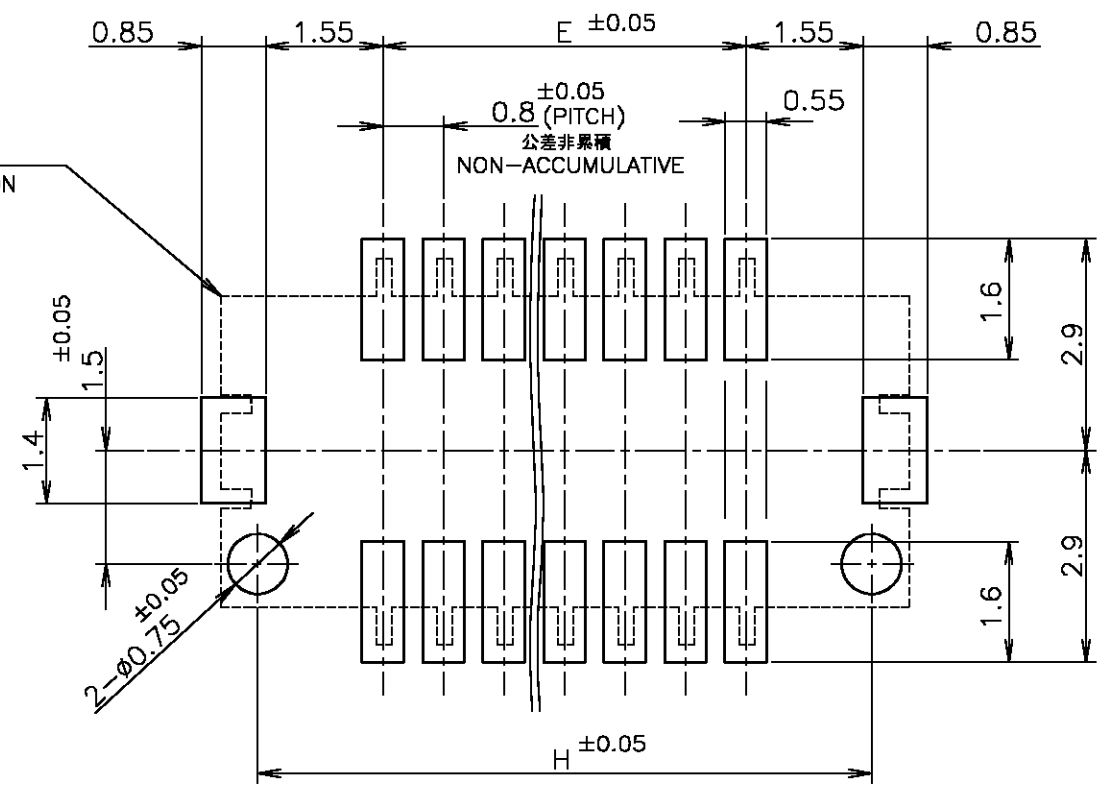
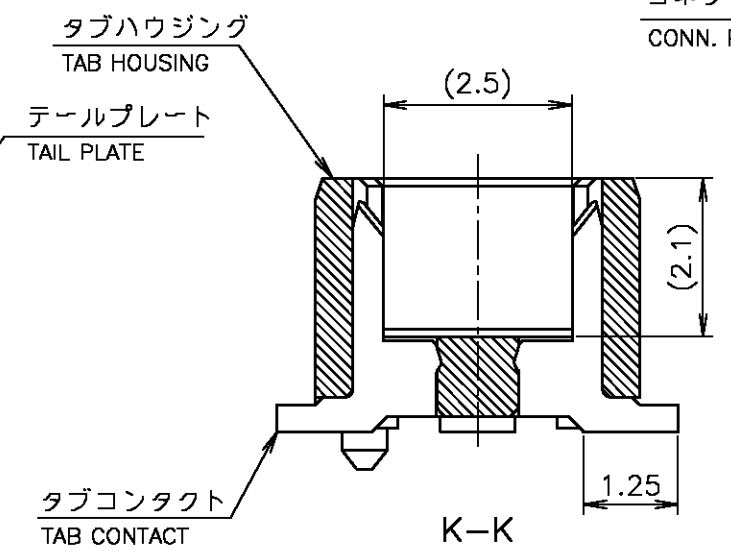
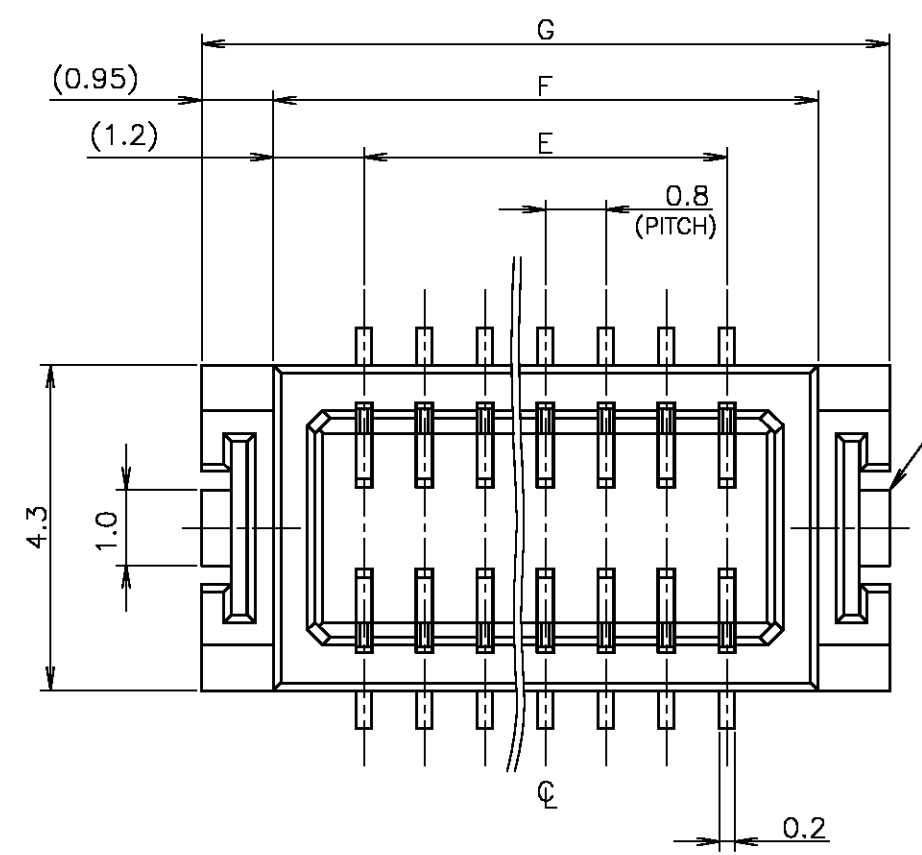
0 PLC	±
1 PLC	±
2 PLC	±
3 PLC	±
4 PLC	±
ANGLES	±
FINISH	仕上

MATERIAL
材料

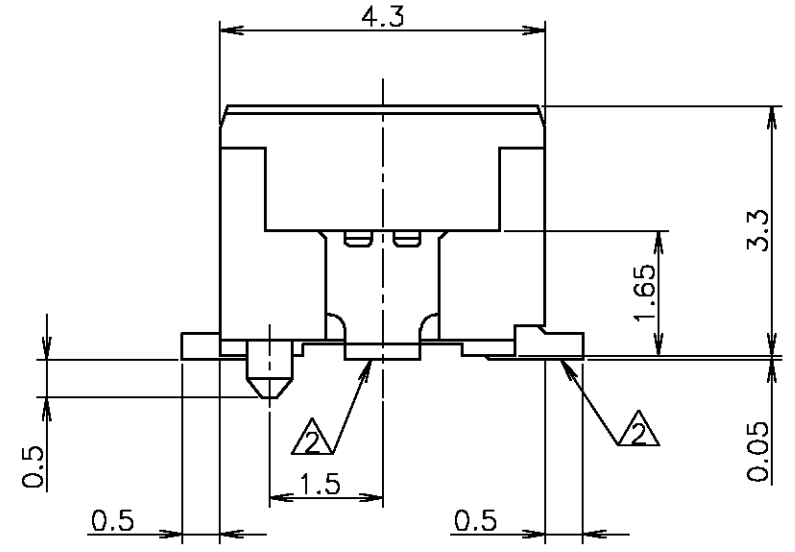
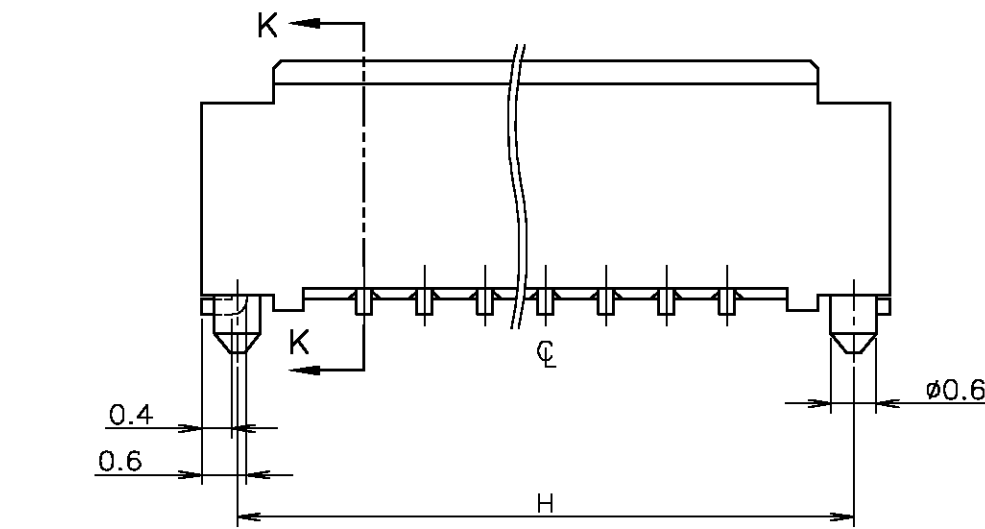
THIS DRAWING IS UNPUBLISHED. RELEASED FOR PUBLICATION DEC, 2004.
 © COPYRIGHT 2004 BY TYCO ELECTRONICS CORPORATION. ALL RIGHTS RESERVED.

LOC		DIST		REVISIONS		
J				変更		
P	LTR	DESCRIPTION		DATE	DWN	APVD
		SEE SHEET 1				

本図：コネクタ図
 AS SHOWN: CONNECTOR DWG



参考基板加工寸法
 REFERENCE P.C BOARD LAYOUT



- 1 材料: タブハウジング: 46ナイロン (耐熱性樹脂)
- タブコンタクト: 銅合金 (t=0.2mm) 金めっき
- テールプレート: 銅合金 (t=0.2mm) 鍍めっき

△ 全てのタイン部及びテールプレートのバラツキは 0.1mm MAX.

- 1 MATERIAL
- TAB HOUSING: 46 NYLON (HIGH HEAT-RESISTED RESIN)
- TAB CONTACT: COPPER-ALLOY (t=0.2mm) Au PLATING
- TAIL PLATE: COPPER-ALLOY (t=0.2mm) TIN PLATING

△ MISALIGNMENT BETWEEN TAINS AND TAIL PLATE: 0.1mm MAX.

GENERAL TOLERANCE	
一般公差	
10 ≥ :	±0.2
30 ≥ > 10:	±0.25
100 ≥ > 30:	±0.3
ANGLES:	±3°

THIS DRAWING IS A CONTROLLED DOCUMENT.	
DIMENSIONS: 単位: 筈 mm	TOLERANCES UNLESS OTHERWISE SPECIFIED: 一般公差
	0 PLC ±
	1 PLC ±
	2 PLC ±
	3 PLC ±
MATERIAL 材料	4 PLC ±
	ANGLES ±
	FINISH 仕上

INSTRUCTION SHEET 取扱説明書	22.55	23.5	21.6	19.2	50	5-5316466-0
411-5808	H	G	F	E	極数 POS	型番 PART NO
DWN	Tyco Electronics AMP K.K. Kawasaki, Japan					
CHK	NAME 名称					
APVD	ON TAPING EMBOSS 0.8mm PITCH FINE MATE CONN TAB ASSEMBLY WITH BOSS V-TYPE					
PRODUCT SPEC 製品規格	108-5512					
APPLICATION SPEC 取付適用規格						
WEIGHT	SIZE	CAGE CODE	DRAWING NO	RESTRICTED TO		
	A3	00779	C-5316466	番号		
CUSTOMER DRAWING	SCALE 尺度	10:1	SHEET	2	OF	2
	REV	0				