



Chipsmall Limited consists of a professional team with an average of over 10 year of expertise in the distribution of electronic components. Based in Hongkong, we have already established firm and mutual-benefit business relationships with customers from,Europe,America and south Asia,supplying obsolete and hard-to-find components to meet their specific needs.

With the principle of “Quality Parts,Customers Priority,Honest Operation,and Considerate Service”,our business mainly focus on the distribution of electronic components. Line cards we deal with include Microchip,ALPS,ROHM,Xilinx,Pulse,ON,Everlight and Freescale. Main products comprise IC,Modules,Potentiometer,IC Socket,Relay,Connector.Our parts cover such applications as commercial,industrial, and automotives areas.

We are looking forward to setting up business relationship with you and hope to provide you with the best service and solution. Let us make a better world for our industry!



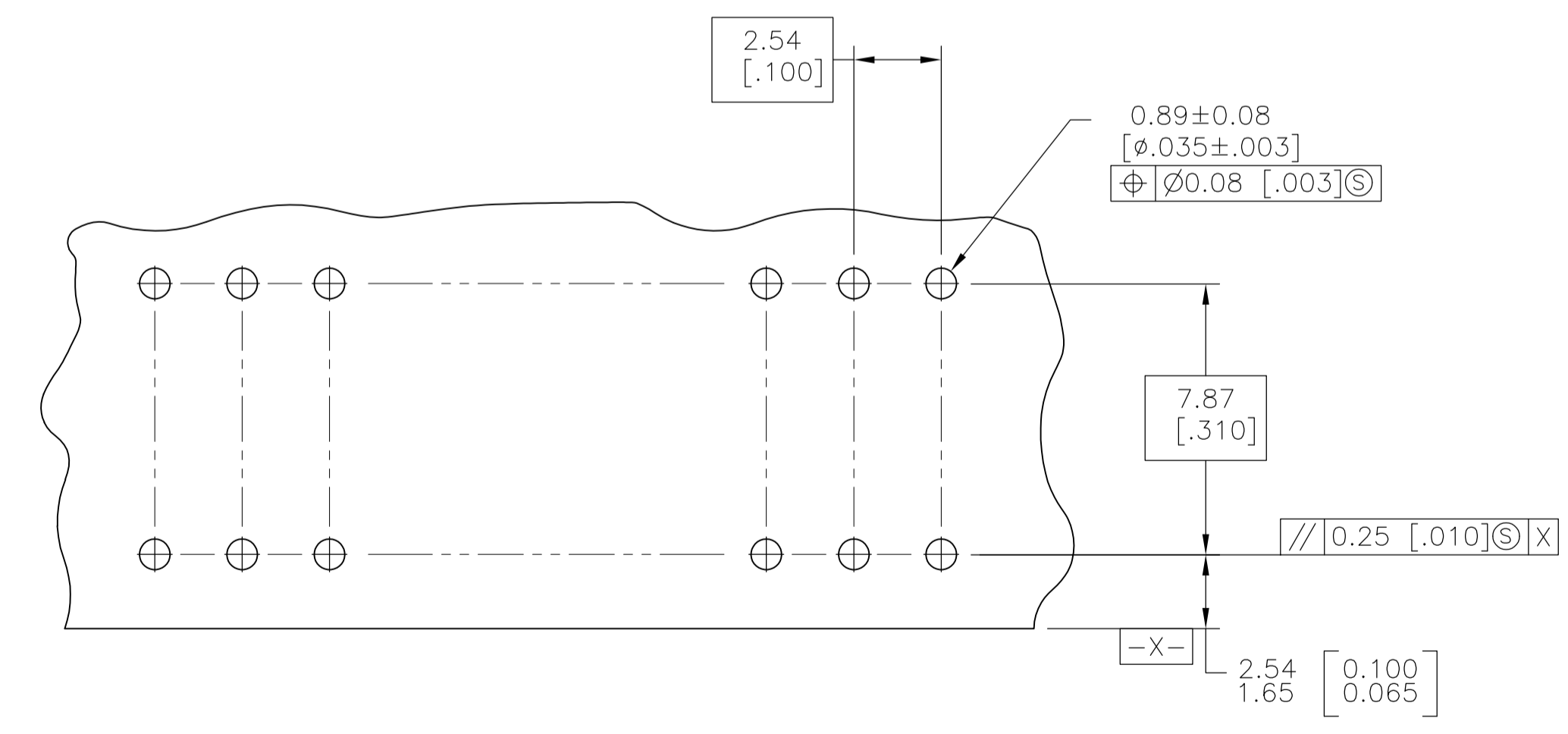
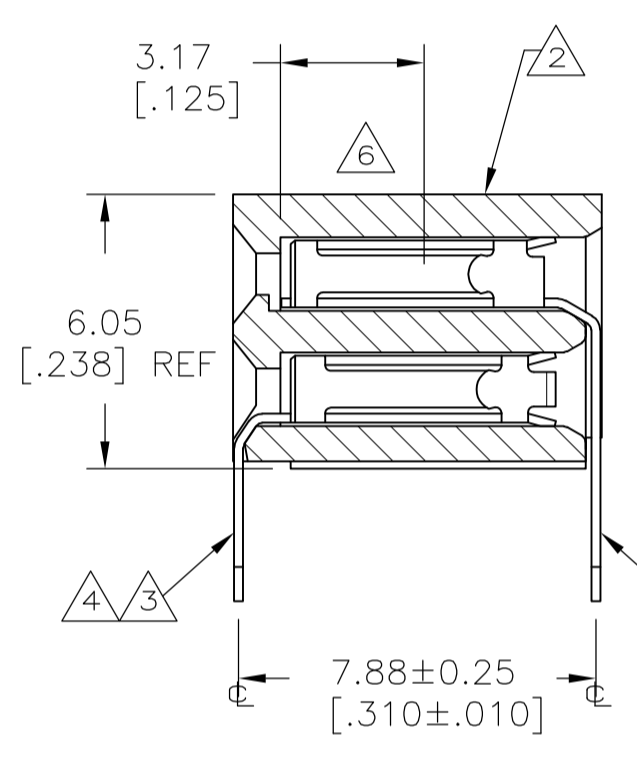
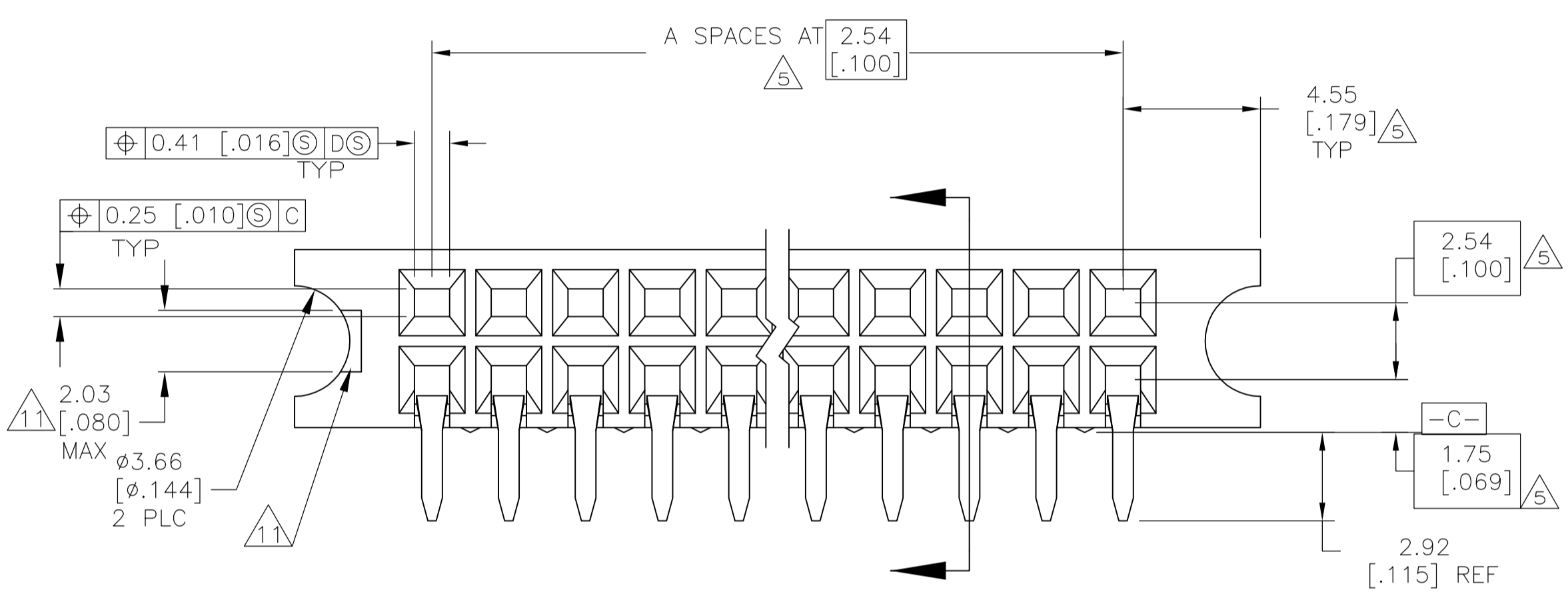
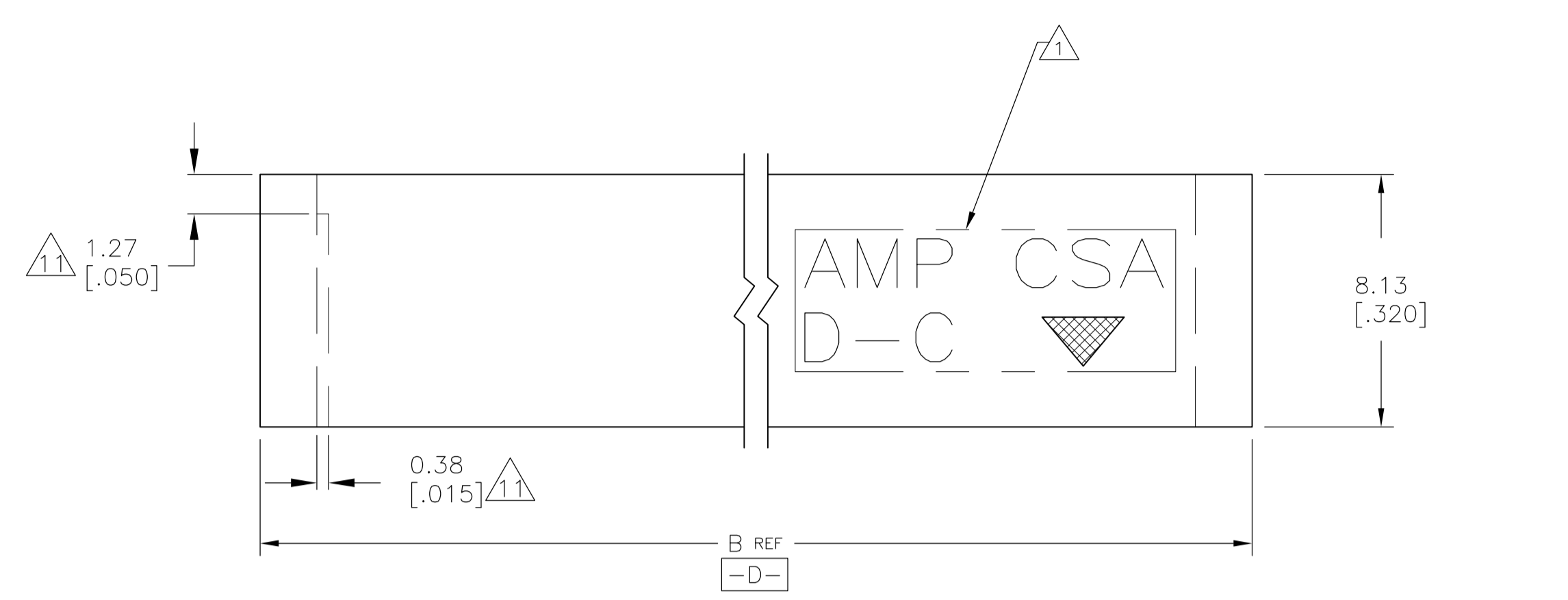
Contact us

Tel: +86-755-8981 8866 Fax: +86-755-8427 6832

Email & Skype: info@chipsmall.com Web: www.chipsmall.com

Address: A1208, Overseas Decoration Building, #122 Zhenhua RD., Futian, Shenzhen, China





RECOMMENDED P.C. BOARD HOLE LAYOUT

- 1 "AMP", "CSA", "D-C", AND "DATE CODE" WITH .062±.015 HIGH CHARACTERS WHERE SIZE PERMITS.
- 2 HOUSING: 1-70 POSITION SIZES MAY BE PPS, GLASS-FILLED OR PCT, GLASS-FILLED. POSITION SIZES GREATER THAN 70 WILL BE PPS, GLASS-FILLED.
- 3 CONTACT: PHOSPHOR BRONZE.
- 4 CONTACT FINISH: DUPLEX PLATED 0.00076 [.000030] GOLD IN CONTACT AREA, 0.00127-0.00254 [.000050-.000100] BRIGHT TIN-LEAD ON SOLDER TAILS, ALL OVER 0.00127 [.000050] NICKEL.
- 5 THESE DIMENSIONS PERTAIN TO CAVITY C'S ONLY, NOT TO CONTACT LOCATIONS.
- 6 POINT OF MEASUREMENT FOR PLATING THICKNESS (INSIDE CONTACT BEAMS).
- 7 CSA LOGO INK STAMPED WHITE ON HOUSING.
- 8 PRELIMINARY PART - NOT RELEASED FOR PRODUCTION.
- 9 CONTACT FINISH: DUPLEX PLATED 0.00076 [.000030] GOLD IN CONTACT AREA, 0.00127-0.00254 [.000050-.000100] MATTE TIN ON SOLDER TAILS, ALL OVER 0.00127 [.000050] NICKEL.
- 10 ROHS 2002/95/EC COMPLIANT.
- 11 RECESSED AREA AROUND MOLD GATE IS OPTIONAL. THIS FEATURE IS ALLOWABLE ON EITHER SIDE OF HOUSING OR MAY NOT BE PRESENT AT ALL.
- 12 OBSOLETE PARTS: OBSOLETE CIS STREAMLINING PER D.RENAUD/D.SINISI

| FINISH | B | A | NO OF POSN | PART NUMBER | FINISH | B | A | NO OF POSN | PART NUMBER |
|----------|-----------------|----|------------|-------------|--------------------------|-----------------|----|------------|-------------|
| OBSOLETE | 34.49 [1.358] | 10 | 22 | 8-532956-0 | OBSOLETE | 34.49 [1.358] | 10 | 22 | 3-532956-0 |
| OBSOLETE | 39.57 [1.558] | 12 | 26 | 7-532956-9 | OBSOLETE | 39.57 [1.558] | 12 | 26 | 2-532956-9 |
| OBSOLETE | 62.43 [2.458] | 21 | 44 | 7-532956-8 | OBSOLETE | 62.43 [2.458] | 21 | 44 | 2-532956-8 |
| OBSOLETE | | 79 | 160 | 7-532956-7 | OBSOLETE | | | | 2-532956-7 |
| OBSOLETE | 24.33 [.958] | 6 | 14 | 7-532956-6 | OBSOLETE | 24.33 [.958] | 6 | 14 | 2-532956-6 |
| OBSOLETE | 24.33 [.958] | 6 | 14 | 7-532956-5 | OBSOLETE | 24.33 [.958] | 6 | 14 | 2-532956-5 |
| OBSOLETE | 235.15 [9.258] | 89 | 180 | 7-532956-4 | OBSOLETE | 235.15 [9.258] | 89 | 180 | 2-532956-4 |
| OBSOLETE | 260.55 [10.258] | 99 | 200 | 7-532956-3 | OBSOLETE | 260.55 [10.258] | 99 | 200 | 2-532956-3 |
| OBSOLETE | 194.51 [7.658] | 73 | 148 | 7-532956-2 | OBSOLETE | 194.51 [7.658] | 73 | 148 | 2-532956-2 |
| OBSOLETE | 184.35 [7.258] | 69 | 140 | 7-532956-1 | OBSOLETE | 184.35 [7.258] | 69 | 140 | 2-532956-1 |
| OBSOLETE | 171.65 [6.758] | 64 | 130 | 7-532956-0 | OBSOLETE | 171.65 [6.758] | 64 | 130 | 2-532956-0 |
| OBSOLETE | 169.11 [6.658] | 63 | 128 | 6-532956-9 | OBSOLETE | 169.11 [6.658] | 63 | 128 | 1-532956-9 |
| OBSOLETE | 158.95 [6.258] | 59 | 120 | 6-532956-8 | OBSOLETE | 158.95 [6.258] | 59 | 120 | 1-532956-8 |
| OBSOLETE | 146.25 [5.758] | 54 | 110 | 6-532956-7 | OBSOLETE | 146.25 [5.758] | 54 | 110 | 1-532956-7 |
| OBSOLETE | 133.55 [5.258] | 49 | 100 | 6-532956-6 | OBSOLETE | 133.55 [5.258] | 49 | 100 | 1-532956-6 |
| OBSOLETE | 128.47 [5.058] | 47 | 96 | 6-532956-5 | OBSOLETE | 128.47 [5.058] | 47 | 96 | 1-532956-5 |
| OBSOLETE | 120.85 [4.758] | 44 | 90 | 6-532956-4 | OBSOLETE | 120.85 [4.758] | 44 | 90 | 1-532956-4 |
| OBSOLETE | 113.23 [4.558] | 42 | 86 | 6-532956-3 | OBSOLETE | 113.23 [4.558] | 42 | 86 | 1-532956-3 |
| OBSOLETE | 108.15 [4.258] | 39 | 80 | 6-532956-2 | OBSOLETE | 108.15 [4.258] | 39 | 80 | 1-532956-2 |
| OBSOLETE | 97.99 [3.858] | 35 | 72 | 6-532956-1 | OBSOLETE | 97.99 [3.858] | 35 | 72 | 1-532956-1 |
| OBSOLETE | 95.45 [3.758] | 34 | 70 | 6-532956-0 | SUPERSEDED BY 6-532956-0 | 95.45 [3.758] | 34 | 70 | 1-532956-0 |
| OBSOLETE | 82.75 [3.258] | 29 | 60 | 5-532956-9 | | 82.75 [3.258] | 29 | 60 | 532956-9 |
| OBSOLETE | 70.05 [2.758] | 24 | 50 | 5-532956-8 | | 70.05 [2.758] | 24 | 50 | 532956-8 |
| OBSOLETE | 57.35 [2.258] | 19 | 40 | 5-532956-7 | | 57.35 [2.258] | 19 | 40 | 532956-7 |
| OBSOLETE | 52.27 [2.058] | 17 | 36 | 5-532956-6 | | 52.27 [2.058] | 17 | 36 | 532956-6 |
| OBSOLETE | 44.65 [1.758] | 14 | 30 | 5-532956-5 | | 44.65 [1.758] | 14 | 30 | 532956-5 |
| OBSOLETE | 37.03 [1.458] | 11 | 24 | 5-532956-4 | | 37.03 [1.458] | 11 | 24 | 532956-4 |
| OBSOLETE | 31.95 [1.258] | 9 | 20 | 5-532956-3 | | 31.95 [1.258] | 9 | 20 | 532956-3 |
| OBSOLETE | 26.87 [1.058] | 7 | 16 | 5-532956-2 | | 26.87 [1.058] | 7 | 16 | 532956-2 |
| OBSOLETE | 21.79 [.858] | 5 | 12 | 5-532956-1 | | 21.79 [.858] | 5 | 12 | 532956-1 |

THIS DRAWING IS A CONTROLLED DOCUMENT. 17JAN01

DIMENSIONS: mm [INCHES] TOLERANCES UNLESS OTHERWISE SPECIFIED:

| | | |
|--------|---|--------------|
| 0 PLC | ± | - |
| 1 PLC | ± | - |
| 2 PLC | ± | 0.13 [0.005] |
| 3 PLC | ± | - |
| 4 PLC | ± | - |
| ANGLES | ± | - |

MATERIAL HOUSING: 2 CONTACT: 3 SEE TABLE

APPROVED: DON FORKER 05/15/91 NAME: RECEPTACLE ASSY, MOD II, DBL ROW, 2.54 X 2.54 [.100 X .100] CL, GUIDE PIN EARS, CLOSED ENTRY, SHORT-POINT-OF-CONTACT

SIZE: A1 CAGE CODE: 00779 DRAWING NO: 532956 WEIGHT: -

CUSTOMER DRAWING SCALE: 6:1 SHEET: 1 OF 1 REV: AF3

STE TE Connectivity