



Chipsmall Limited consists of a professional team with an average of over 10 year of expertise in the distribution of electronic components. Based in Hongkong, we have already established firm and mutual-benefit business relationships with customers from,Europe,America and south Asia,supplying obsolete and hard-to-find components to meet their specific needs.

With the principle of “Quality Parts,Customers Priority,Honest Operation,and Considerate Service”,our business mainly focus on the distribution of electronic components. Line cards we deal with include Microchip,ALPS,ROHM,Xilinx,Pulse,ON,Everlight and Freescale. Main products comprise IC,Modules,Potentiometer,IC Socket,Relay,Connector.Our parts cover such applications as commercial,industrial, and automotives areas.

We are looking forward to setting up business relationship with you and hope to provide you with the best service and solution. Let us make a better world for our industry!



Contact us

Tel: +86-755-8981 8866 Fax: +86-755-8427 6832

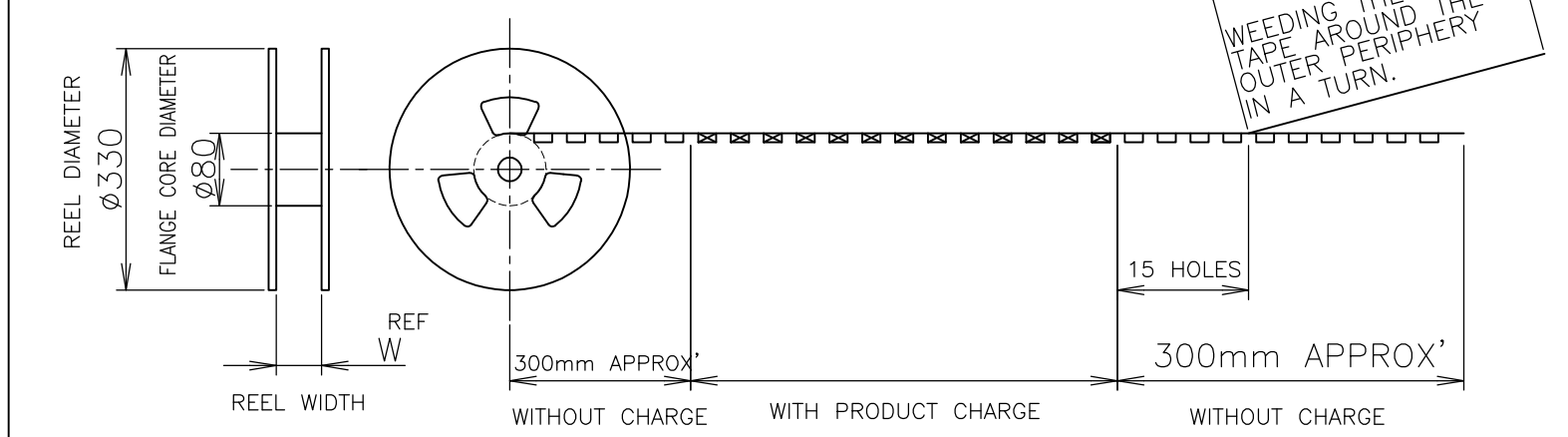
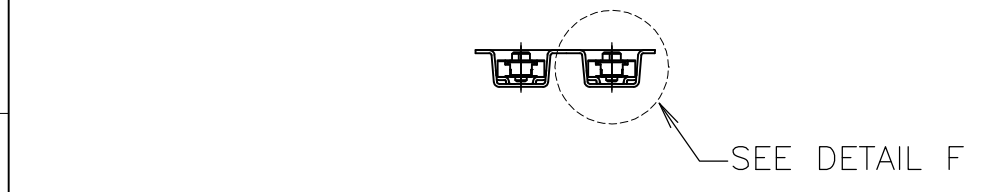
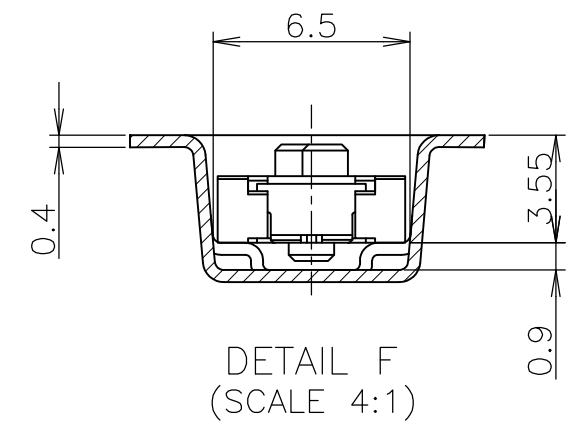
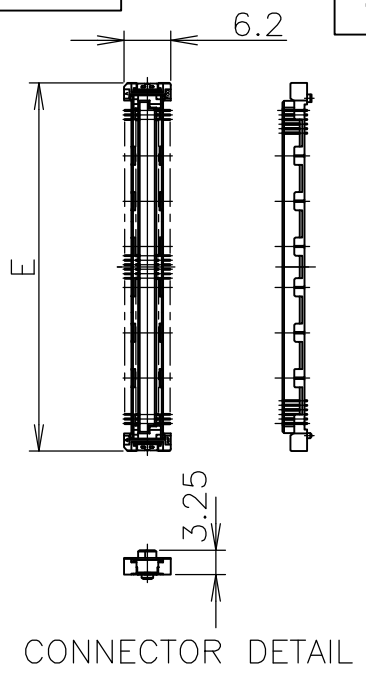
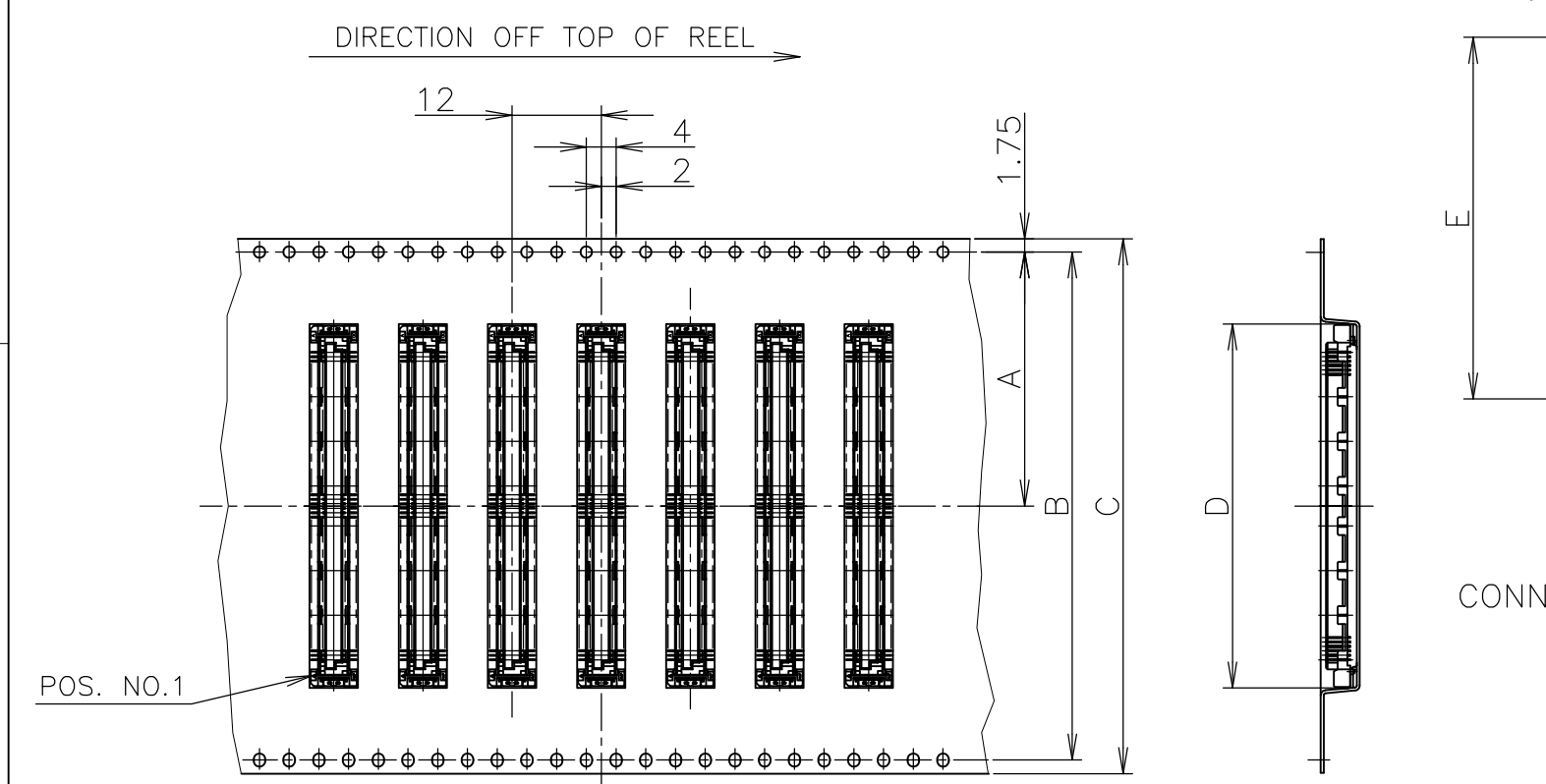
Email & Skype: info@chipsmall.com Web: www.chipsmall.com

Address: A1208, Overseas Decoration Building, #122 Zhenhua RD., Futian, Shenzhen, China



THIS DRAWING IS UNPUBLISHED. RELEASED FOR PUBLICATION DEC , 1996.
 © COPYRIGHT 1996 BY TYCO ELECTRONICS CORPORATION. ALL RIGHTS RESERVED.

| LOC | DIST | REVISIONS | | | |
|-----|------|-----------------------|---------|-----|------|
| P | LTR | DESCRIPTION | DATE | DWN | APVD |
| J | | | | | |
| | D | REVISED ECR-08-000340 | 01FEB08 | T.T | T.F |



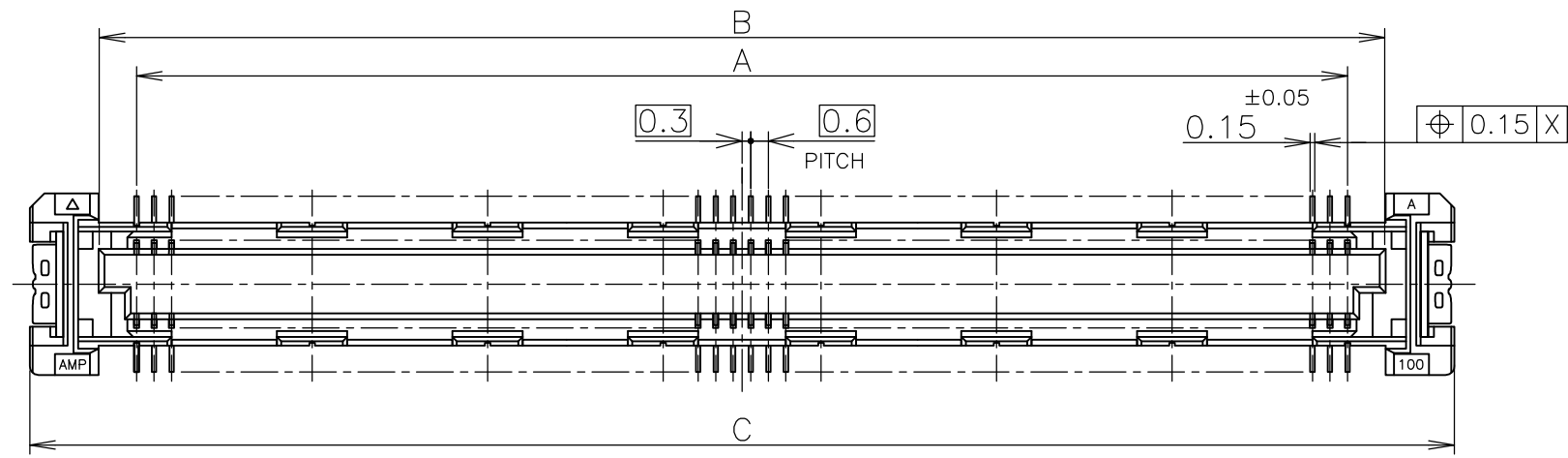
| HOUSING COLOR | SEALANT | TOOLING STATUS | QTY. | W | E | D | C | B | A | POS. | PART NO. |
|---------------|---------------|----------------|------|------|------|----|----|------|------|------|-------------|
| BLACK | AVAILABLE | | 1000 | 77.5 | 48.7 | 49 | 72 | 68.4 | 34.2 | 140 | 8-5353189-0 |
| | NOT AVAILABLE | | | 77.5 | 54.7 | 55 | 72 | 68.4 | 34.2 | 160 | 6-5353189-1 |
| | | | | 77.5 | 48.7 | 49 | 72 | 68.4 | 34.2 | 140 | 6- - -0 |
| | | | | 61.5 | 42.7 | 43 | 56 | 52.4 | 26.2 | 120 | 5- - -9 |
| | | | | 61.5 | 36.7 | 37 | 56 | 52.4 | 26.2 | 100 | 5- - -8 |
| | NOT AVAILABLE | | | 61.5 | 33.7 | 34 | 56 | 52.4 | 26.2 | 90 | 5- - -7 |
| | AVAILABLE | | | 49.5 | 30.7 | 31 | 44 | 40.4 | 20.2 | 80 | 5- - -6 |
| | NOT AVAILABLE | | | 49.5 | 27.7 | 28 | 44 | 40.4 | 20.2 | 70 | 5- - -5 |
| | NOT AVAILABLE | | | 49.5 | 24.7 | 25 | 44 | 40.4 | 20.2 | 60 | 5- - -4 |
| | AVAILABLE | | | 37.5 | 21.7 | 22 | 32 | 28.4 | 14.2 | 50 | 5- - -3 |
| | NOT AVAILABLE | | | 37.5 | 18.7 | 19 | 32 | 28.4 | 14.2 | 40 | 5- - -2 |
| | AVAILABLE | 1000 | | 29.5 | 15.7 | 16 | 24 | 11.5 | 30 | | 5-5353189-1 |
| NATURAL | NOT AVAILABLE | | 1000 | 77.5 | 54.7 | 55 | 72 | 68.4 | 34.2 | 160 | 1-5353189-1 |
| | | | | 77.5 | 48.7 | 49 | 72 | 68.4 | 34.2 | 140 | 1- - -0 |
| | | | | 61.5 | 42.7 | 43 | 56 | 52.4 | 26.2 | 120 | - - -9 |
| | NOT AVAILABLE | | | 61.5 | 36.7 | 37 | 56 | 52.4 | 26.2 | 100 | - - -8 |
| | AVAILABLE | | | 61.5 | 33.7 | 34 | 56 | 52.4 | 26.2 | 90 | - - -7 |
| | NOT AVAILABLE | | | 49.5 | 30.7 | 31 | 44 | 40.4 | 20.2 | 80 | - - -6 |
| | | | | 49.5 | 27.7 | 28 | 44 | 40.4 | 20.2 | 70 | - - -5 |
| | | | | 49.5 | 24.7 | 25 | 44 | 40.4 | 20.2 | 60 | - - -4 |
| | | | | 37.5 | 21.7 | 22 | 32 | 28.4 | 14.2 | 50 | - - -3 |
| | | | | 37.5 | 18.7 | 19 | 32 | 28.4 | 14.2 | 40 | - - -2 |
| | NOT AVAILABLE | 1000 | | 29.5 | 15.7 | 16 | 24 | 11.5 | 30 | | 5353189-1 |

3 THIS PRODUCT WAS COATED BY FLUX-PENETRATION -INHIBITING AGENT.

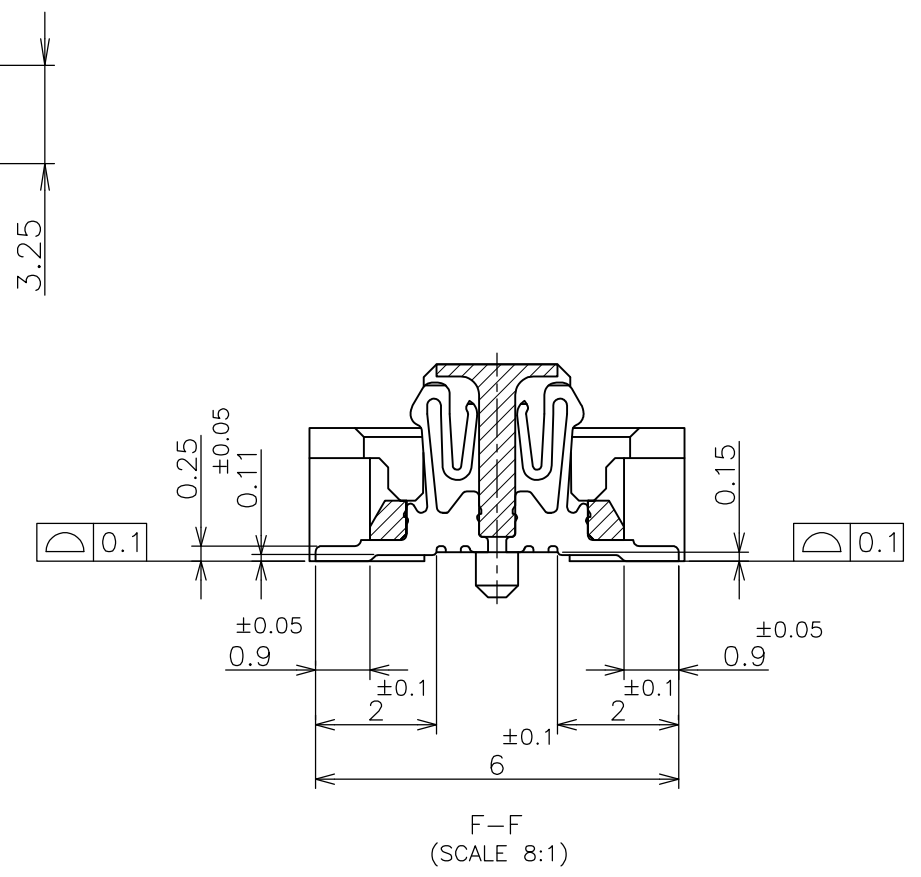
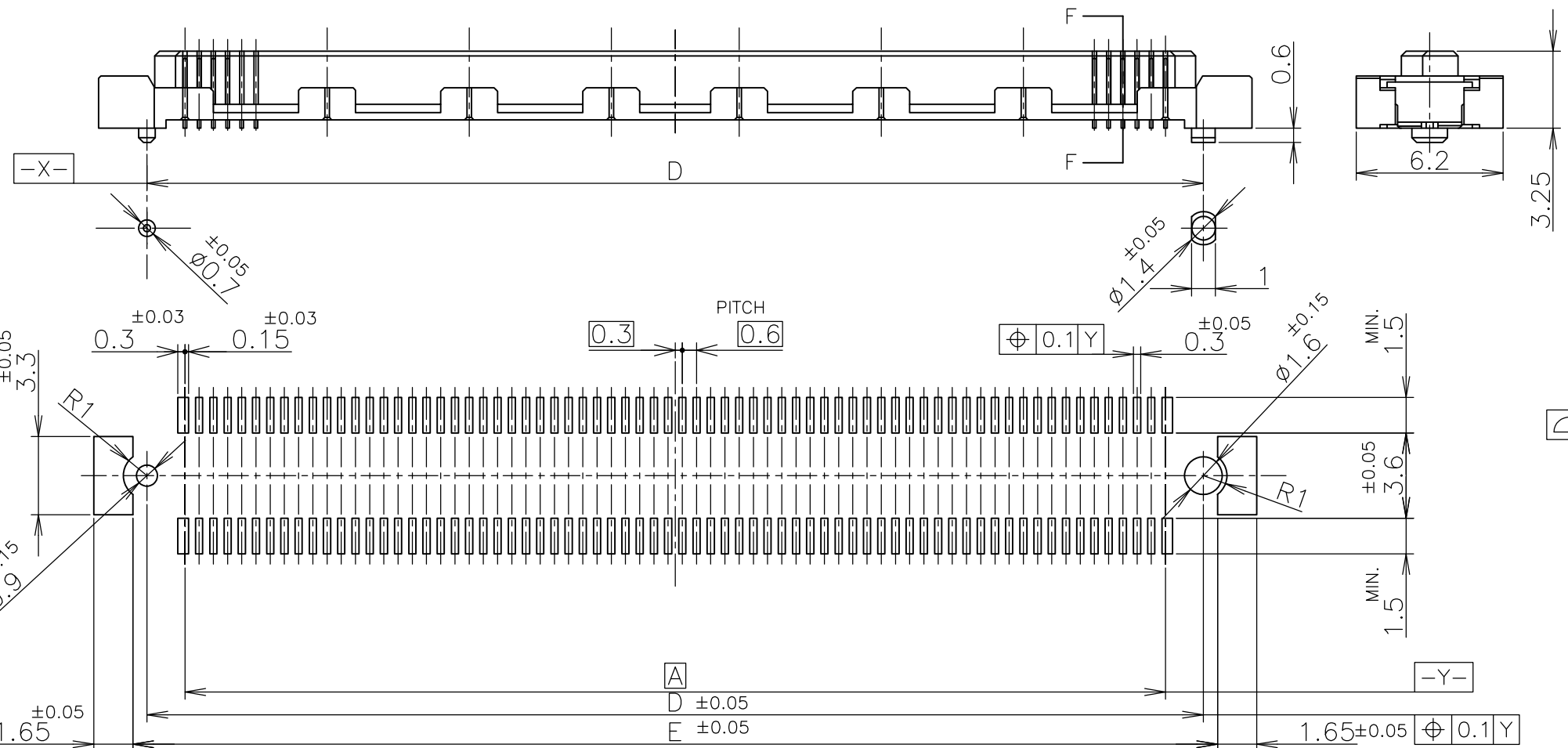
THIS DRAWING IS A CONTROLLED DOCUMENT.

| | | | |
|----------------|--|------------------------|---|
| DIMENSIONS: MM | TOLERANCES UNLESS OTHERWISE SPECIFIED: | DWN HAWKING HE 20DEC04 | Tyco Electronics Corporation Kawasaki, Japan |
| | | CHK STEVEN YAO 20DEC04 | |
| | | APVD I.ENOMOTO 20DEC04 | NAME |
| | | PRODUCT SPEC | EMBOSS ASSY |
| | | 108-60047 | FH 0.6BTB CONNECTOR |
| | | APPLICATION SPEC | REC 4H STD TYPE |
| MATERIAL | FINISH | 114-5255 | SIZE CAGE CODE DRAWING NO RESTRICTED TO |
| | | WEIGHT | A3 00779 C-5353189 |
| | | CUSTOMER DRAWING | SCALE 1:1 SHEET 1 OF 2 REV D |

| | | | | | | | |
|-----|------|-----------|-----|-------------|------|-----|------|
| LOC | DIST | REVISIONS | | | | | |
| J | | P | LTR | DESCRIPTION | DATE | DWN | APVD |
| | | - | | SEE SHEET 1 | - | - | - |



△ MATERIAL : HOUSING : HIGH TEMP THERMO PLASTIC
 UL94V-0
 CONTACT : COPPER ALLOY
 △ FINISH : UNDER PL Ni 0.0013mm MIN ALL OVER.
 CONTACT AREA 0.0002 MIN Au PL.
 SOLDERING AREA 0.00005 MIN Au PL.



REFERENCE P.C. BOARD LAYOUT

| | | | | | | |
|----------------|------|------|------|----|------|-----|
| AVAILABLE | 51.8 | 50.6 | 54.7 | 50 | 47.4 | 160 |
| AVAILABLE | 45.8 | 44.6 | 48.7 | 44 | 41.4 | 140 |
| NOT AVAILABLE | 39.8 | 38.6 | 42.7 | 38 | 35.4 | 120 |
| NOT AVAILABLE | 33.8 | 32.6 | 36.7 | 32 | 29.4 | 100 |
| AVAILABLE | 30.8 | 29.6 | 33.7 | 29 | 26.4 | 90 |
| AVAILABLE | 27.8 | 26.6 | 30.7 | 26 | 23.4 | 80 |
| AVAILABLE | 24.8 | 23.6 | 27.7 | 23 | 20.4 | 70 |
| NOT AVAILABLE | 21.8 | 20.6 | 24.7 | 20 | 17.4 | 60 |
| AVAILABLE | 18.8 | 17.6 | 21.7 | 17 | 14.4 | 50 |
| NOT AVAILABLE | 15.8 | 14.6 | 18.7 | 14 | 11.4 | 40 |
| NOT AVAILABLE | 12.8 | 11.6 | 15.7 | 11 | 8.4 | 30 |
| TOOLING STATUS | E | D | C | B | A | POS |

| | | | | | | |
|--|--|------------------|---|-----------|------------|---------------|
| THIS DRAWING IS A CONTROLLED DOCUMENT. | | DWN | Tyco Electronics Corporation Kawasaki, Japan | | | |
| DIMENSIONS: MM | | CHK | NAME | | | |
| TOLERANCES UNLESS OTHERWISE SPECIFIED: | | APVD | EMBOSS ASSY FH 0.6BTB CONNECTOR REC 4H STD TYPE | | | |
| 0 PLC ± 0.3 1 PLC ± 0.3 2 PLC ± 0.3 3 PLC ± 0.3 4 PLC ± 0.3 ANGLES ± 3° | | PRODUCT SPEC | SIZE | CAGE CODE | DRAWING NO | RESTRICTED TO |
| MATERIAL | | APPLICATION SPEC | A3 | 00779 | G-5353189 | |
| FINISH | | WEIGHT | CUSTOMER DRAWING | | SCALE 4:1 | SHEET 2 OF 2 |