



Chipsmall Limited consists of a professional team with an average of over 10 year of expertise in the distribution of electronic components. Based in Hongkong, we have already established firm and mutual-benefit business relationships with customers from,Europe,America and south Asia,supplying obsolete and hard-to-find components to meet their specific needs.

With the principle of “Quality Parts,Customers Priority,Honest Operation,and Considerate Service”,our business mainly focus on the distribution of electronic components. Line cards we deal with include Microchip,ALPS,ROHM,Xilinx,Pulse,ON,Everlight and Freescale. Main products comprise IC,Modules,Potentiometer,IC Socket,Relay,Connector.Our parts cover such applications as commercial,industrial, and automotives areas.

We are looking forward to setting up business relationship with you and hope to provide you with the best service and solution. Let us make a better world for our industry!



Contact us

Tel: +86-755-8981 8866 Fax: +86-755-8427 6832

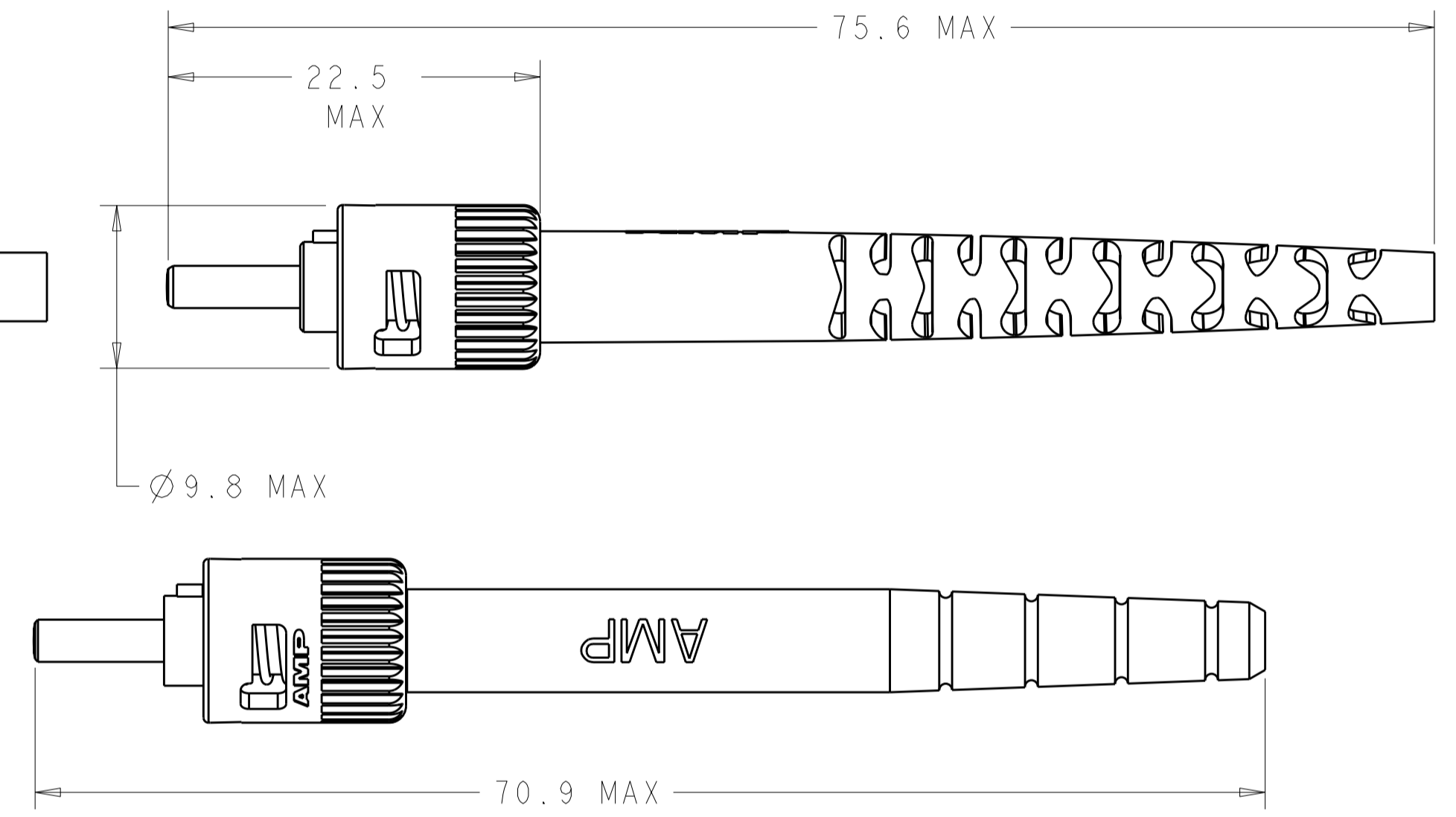
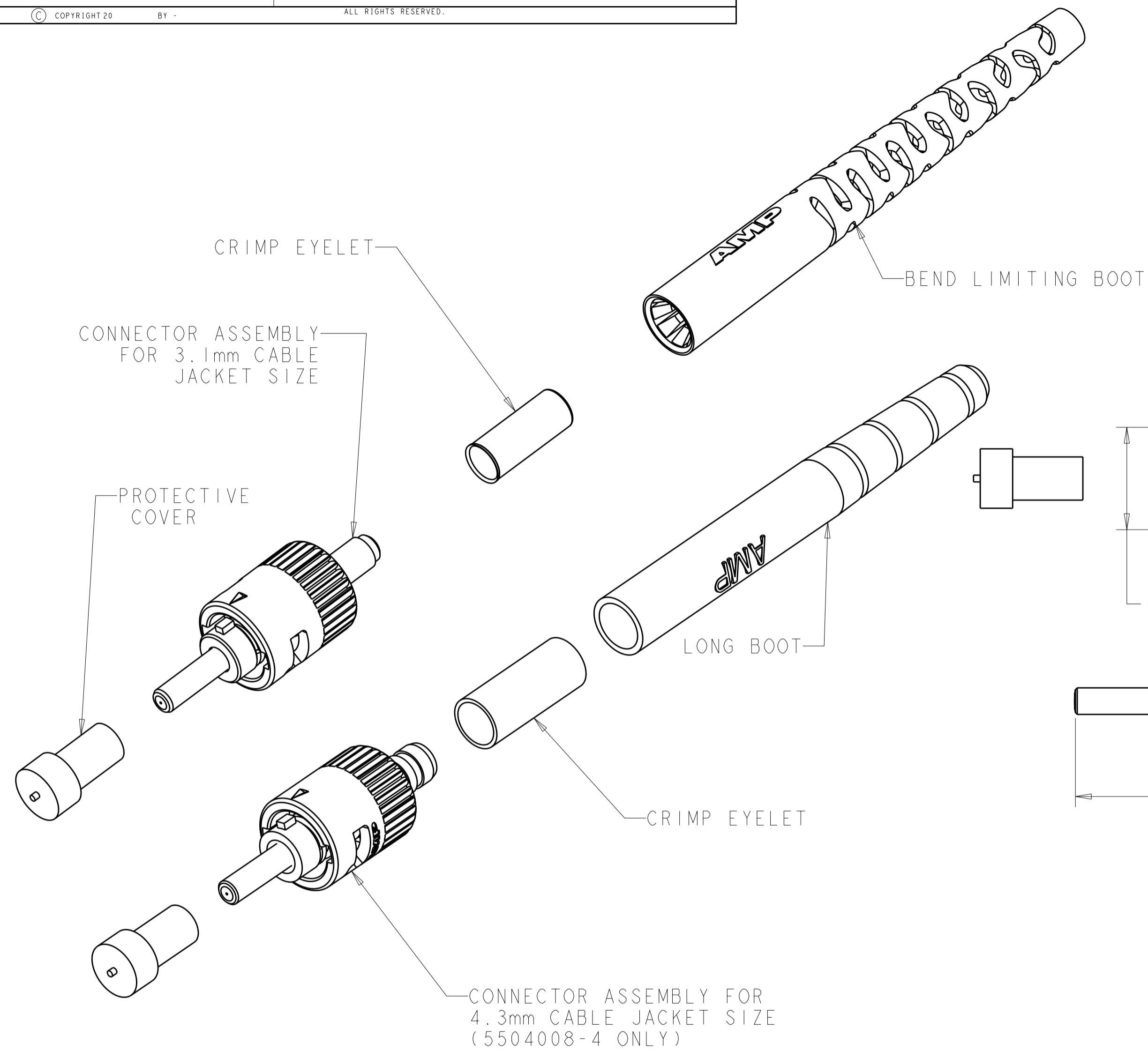
Email & Skype: info@chipsmall.com Web: www.chipsmall.com

Address: A1208, Overseas Decoration Building, #122 Zhenhua RD., Futian, Shenzhen, China



THIS DRAWING IS UNPUBLISHED. RELEASED FOR PUBLICATION 20
 © COPYRIGHT 20 BY - ALL RIGHTS RESERVED.

LOC	DIST	REVISIONS			
P	LTR	DESCRIPTION	DATE	DWN	APVD
CE	00				
		BI	REVISED PER ECO-11-005027	15MAR2011	RK HMR



- ① BULK PACKAGE.
- ② MATERIAL:
 - PROTECTIVE COVER: LDPE, COLOR: BLACK, NON-FR.
 - CONNECTOR ASSY
 - FERRULE ASSY: STAINLESS STEEL/NICKEL PLATED BRASS.
 - SPRING: STAINLESS STEEL.
 - COUPLING NUT: ZINC.
 - RETENTION RING: STAINLESS STEEL.
 - 3.1mm CRIMP EYELET: TIN PLATED COPPER.
 - LONG AND BEND LIMITING BOOTS: TPE, COLOR: BLACK, UL94 V-0 RATED AT AT QUALIFYING THICKNESS.
 - 4.3mm CRIMP EYELET: NICKEL PLATED BRASS

①	NONE	125um	5-5504008-4
	BEND LIMITING	280um	4-5504008-6
①	BEND LIMITING	125um	1-5504008-7
	BEND LIMITING	231um	1.5504008-4
	BEND LIMITING	240um	1-5504008-3
	BEND LIMITING	140um	5504008-7
	LONG	125um	5504008-4
	BEND LIMITING	125um	5504008-3
	BOOT	HOLE SIZE	PART NUMBER

THIS DRAWING IS A CONTROLLED DOCUMENT.		DWN B. BRIGGS 29 JUN 2005	TE Connectivity															
DIMENSIONS: mm		CHK S. BUCHTER 29 JUN 2005																
TOLERANCES UNLESS OTHERWISE SPECIFIED:		APVD S. BUCHTER 29 JUN 2005	NAME CONNECTOR KIT, SST, 2.5mm BAYONET															
<table border="1"> <tr><td>0 PLC</td><td>±</td></tr> <tr><td>1 PLC</td><td>±</td></tr> <tr><td>2 PLC</td><td>±</td></tr> <tr><td>3 PLC</td><td>±</td></tr> <tr><td>4 PLC</td><td>±</td></tr> <tr><td>ANGLES</td><td>±</td></tr> <tr><td>FINISH</td><td>±</td></tr> </table>		0 PLC	±	1 PLC	±	2 PLC	±	3 PLC	±	4 PLC	±	ANGLES	±	FINISH	±	PRODUCT SPEC	SIZE CAGE CODE DRAWING NO	
0 PLC	±																	
1 PLC	±																	
2 PLC	±																	
3 PLC	±																	
4 PLC	±																	
ANGLES	±																	
FINISH	±																	
MATERIAL		APPLICATION SPEC	A200779C-5504008															
		WEIGHT	RESTRICTED TO															
		CUSTOMER DRAWING	SCALE 3:1	SHEET 1 OF 1 REV BI														