



Chipsmall Limited consists of a professional team with an average of over 10 year of expertise in the distribution of electronic components. Based in Hongkong, we have already established firm and mutual-benefit business relationships with customers from,Europe,America and south Asia,supplying obsolete and hard-to-find components to meet their specific needs.

With the principle of “Quality Parts,Customers Priority,Honest Operation,and Considerate Service”,our business mainly focus on the distribution of electronic components. Line cards we deal with include Microchip,ALPS,ROHM,Xilinx,Pulse,ON,Everlight and Freescale. Main products comprise IC,Modules,Potentiometer,IC Socket,Relay,Connector.Our parts cover such applications as commercial,industrial, and automotives areas.

We are looking forward to setting up business relationship with you and hope to provide you with the best service and solution. Let us make a better world for our industry!



Contact us

Tel: +86-755-8981 8866 Fax: +86-755-8427 6832

Email & Skype: info@chipsmall.com Web: www.chipsmall.com

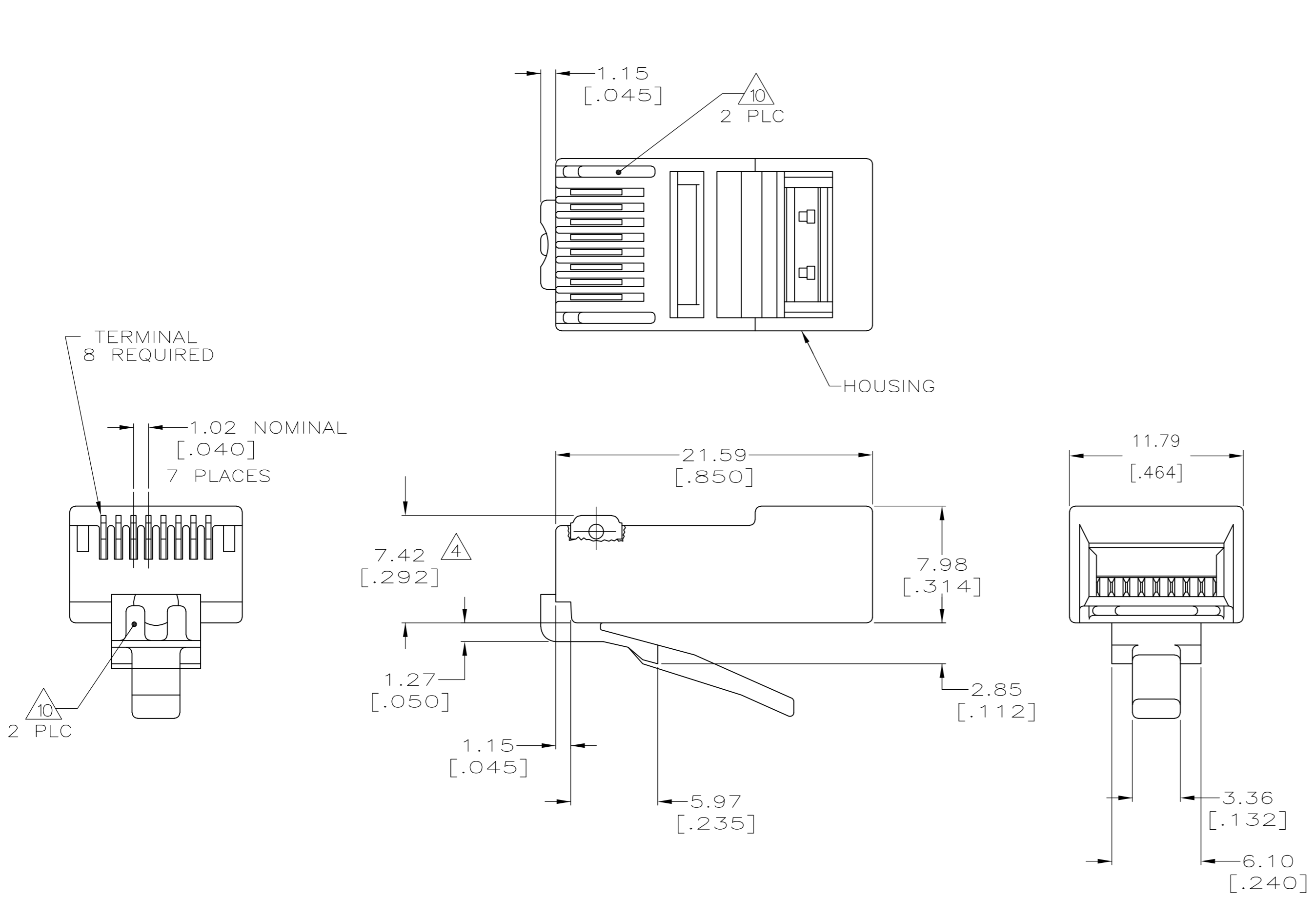
Address: A1208, Overseas Decoration Building, #122 Zhenhua RD., Futian, Shenzhen, China



THIS DRAWING IS UNPUBLISHED. RELEASED FOR PUBLICATION
 © COPYRIGHT - By - ALL RIGHTS RESERVED.

LOC	DIST	REVISIONS					
		P	LTR	DESCRIPTION	DATE	DWN	APVD
HM	00	S		REVISED PER ECO-12-012703	11JUL2012	GG	JG

- ① DIMENSIONS ARE MAXIMUM UNLESS OTHERWISE SPECIFIED.
- ② MATERIAL: HOUSING-POLYCARBONATE,CLEAR. TERMINAL-0.36[.014] THICK PHOSPHOR BRONZE PLATED WITH 1.27μm[.000050] THICK GOLD IN LOCALIZED GOLD PLATE AREA OVER 2.54μm[.000100] THICK NICKEL UNDERPLATE.
- 3. PLUG WILL ACCEPT 24 OR 26 AWG SOLID WIRE HAVING A MAXIMUM INSULATION DIAMETER OF 0.89-0.99[.035-.039] AND A MAXIMUM OVAL CABLE JACKET OF 2.54 X 8.89[.100 X .350].
- ④ TERMINATED DIMENSION 6.15[.242] MAXIMUM.
- ⑥ 10,000 ASSEMBLIES PER PACKAGE.
- ⑦ 500 ASSEMBLIES PER PACKAGE.
- ⑧ 100 ASSEMBLIES PER PACKAGE.
- ⑩ REELED PRODUCT ON STRIP DOES NOT HAVE VOID CORING ILLUSTRATED ON THIS DRAWING.
- ⑪ 100 ASSEMBLIES PER CARTON.



⑧	5-554720-3
⑦	5-554720-2
⑥	5-554720-1
⑪	3-554720-3
⑩	554720-1
REELED	PART NO.
PACKAGED	

OBSELETE

THIS DRAWING IS A CONTROLLED DOCUMENT.		DWN L. HALL 03NOV2005	TE TE Connectivity	
DIMENSIONS: mm [INCHES]		CHK C. CASH 03NOV2005		
TOLERANCES UNLESS OTHERWISE SPECIFIED:		APVD C. CASH 03NOV2005	NAME	
0 PLC ± - ①		PRODUCT SPEC 108-1163	MODULAR PLUG ASSEMBLY, 8 POSITION, SOLID WIRE	
1 PLC ± - ①		APPLICATION SPEC 114-6016	SIZE A2	CAGE CODE 00779
2 PLC ± - ①		WEIGHT -	DRAWING NO C=554720	RESTRICTED TO -
3 PLC ± - ①		CUSTOMER DRAWING	SCALE 4:1	SHEET 1 of 1
4 PLC ± - ①			REV S	
ANGLES ± - ①				
FINISH - ②				