



Chipsmall Limited consists of a professional team with an average of over 10 year of expertise in the distribution of electronic components. Based in Hongkong, we have already established firm and mutual-benefit business relationships with customers from,Europe,America and south Asia,supplying obsolete and hard-to-find components to meet their specific needs.

With the principle of "Quality Parts,Customers Priority,Honest Operation,and Considerate Service",our business mainly focus on the distribution of electronic components. Line cards we deal with include Microchip,ALPS,ROHM,Xilinx,Pulse,ON,Everlight and Freescale. Main products comprise IC,Modules,Potentiometer,IC Socket,Relay,Connector.Our parts cover such applications as commercial,industrial, and automotives areas.

We are looking forward to setting up business relationship with you and hope to provide you with the best service and solution. Let us make a better world for our industry!



Contact us

Tel: +86-755-8981 8866 Fax: +86-755-8427 6832

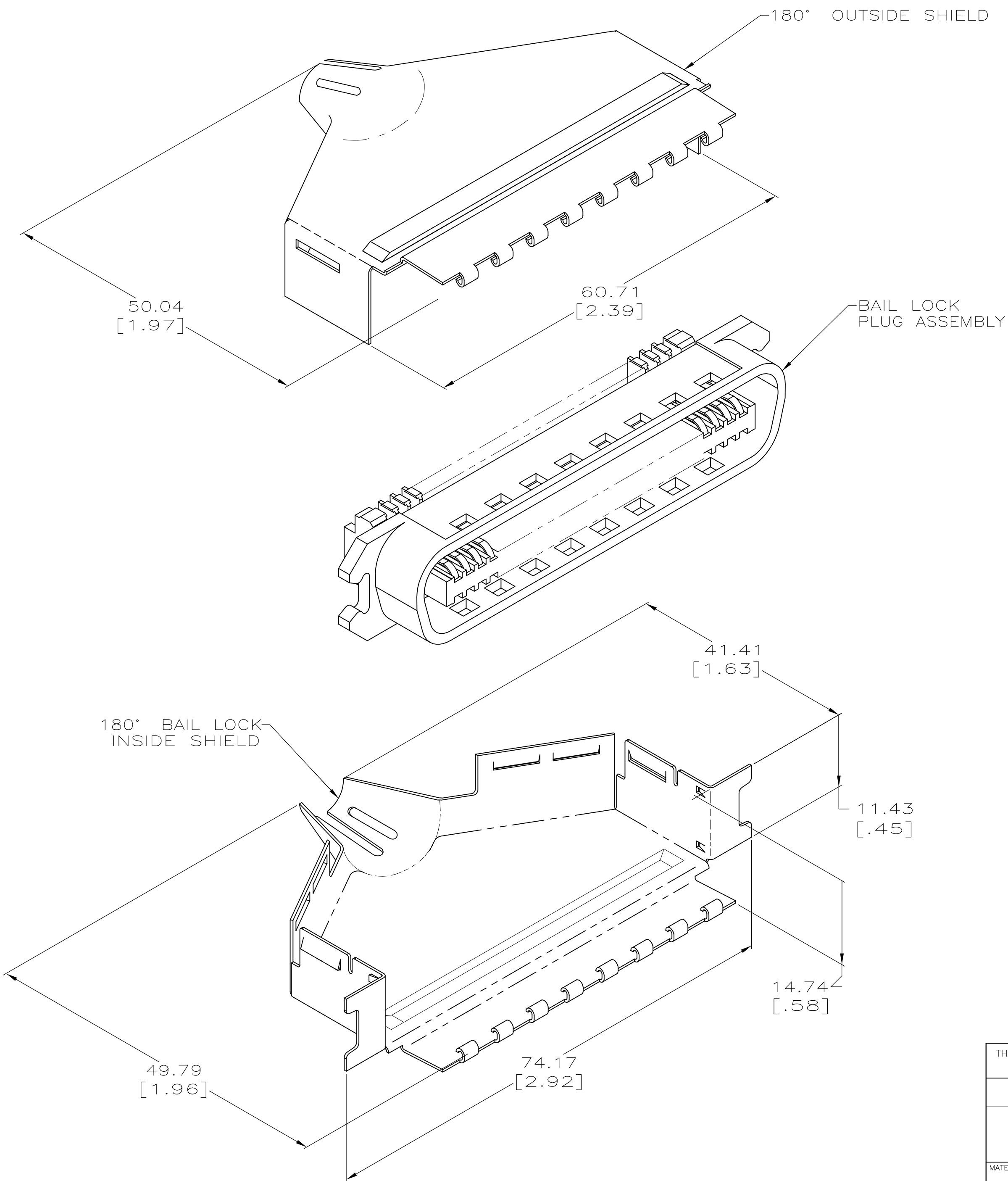
Email & Skype: info@chipsmall.com Web: www.chipsmall.com

Address: A1208, Overseas Decoration Building, #122 Zhenhua RD., Futian, Shenzhen, China



THIS DRAWING IS UNPUBLISHED. RELEASED FOR PUBLICATION
 © COPYRIGHT BY TYCO ELECTRONICS CORPORATION. ALL RIGHTS RESERVED.

LOC		DIST		REVISIONS			
P	LTR	DESCRIPTION		DATE	DWN	APVD	
	F	REVISED PER ECO-08-007327		05SEP08	BM	WM	
	F1	REV PER ECO-09-021510		12SEP09	KK	AEG	



- THIS KIT SHIPPED NOT ASSEMBLED.
- MATERIAL: SHIELDS – BRIGHT NICKEL PLATED CARBON STEEL.
 PLUG HOUSING – POLYPHENYLENE OXIDE, SEE TABLE FOR COLOR.
 TERMINAL – HIGH STRENGTH COPPER ALLOY PLATED WITH 0.76µm [.000030] MIN GOLD OR GOLD FLASH OVER PALLADIUM NICKEL PLATE, 0.76µm [.000030] MIN TOTAL ON MATING SURFACE. 1.27µm [.000050] MIN NICKEL UNDERPLATE OVER ENTIRE TERMINAL.
- WIRE SIZE: 24 OR 26 AWG SOLID OR 24 AWG 7 STRANDS OF COPPER CONDUCTORS. MAXIMUM INSULATION DIAMETER OF 1.14 [.045] IS ACCEPTABLE FOR MOST APPLICATIONS.
- CABLE RANGE: Ø8.89–15.88 [.350–.625].
- CENTER-TO-CENTER SPACING OF TERMINALS 2.16 [.085] NOMINAL.
- WIRE SIZE: 26–27–28 AWG 7 STRANDS OF COPPER CONDUCTORS. MAXIMUM INSULATION DIAMETER OF 1.14 [.045] IS ACCEPTABLE FOR MOST APPLICATIONS.
- DIMENSIONS ARE MAXIMUM UNLESS OTHERWISE SPECIFIED.
- PACKAGED 1 KIT PER POLYBAG.
- BULK PACKAGED 500 KITS PER CONTAINER.
- OBsolete PARTS: OBSOLETE CIS STREAMLINING PER D.RENAUD/D.SINISI

△10	OBsolete	COMPAQ-GRAY	△9	E	△6	5-554953-3
△10	OBsolete	BLACK	△9	B	△3	5-554953-2
△10	OBsolete	BLACK	△9	E	△6	5-554953-1
		BLACK	△8	B	△3	554953-2
		BLACK	△8	E	△6	554953-1
		COLOR	PACKAGED	SLOT SIZE	WIRE SIZE	PART NUMBER

THIS DRAWING IS A CONTROLLED DOCUMENT.		DWN	L. SMITH	3-24-95	Tyco Electronics Corporation Harrisburg, PA 17105-3608
DIMENSIONS: mm [INCHES]		CHK	D.HUSSEY	4-04-95	
TOLERANCES UNLESS OTHERWISE SPECIFIED:		APVD	M.HUGHES	4-04-95	
0 PLC ± - 1 PLC ± - 2 PLC ± - 3 PLC ± - 4 PLC ± - ANGLES ± - FINISH ± -		NAME		PRODUCT SPEC	
MATERIAL		WEIGHT		APPLICATION SPEC	SIZE
FINISH		CUSTOMER DRAWING		RESTRICTED TO	CAGE CODE
				SCALE	DRAWING NO
				SHEET	REV
				1 of 1	F1

554953