



Chipsmall Limited consists of a professional team with an average of over 10 year of expertise in the distribution of electronic components. Based in Hongkong, we have already established firm and mutual-benefit business relationships with customers from,Europe,America and south Asia,supplying obsolete and hard-to-find components to meet their specific needs.

With the principle of “Quality Parts,Customers Priority,Honest Operation,and Considerate Service”,our business mainly focus on the distribution of electronic components. Line cards we deal with include Microchip,ALPS,ROHM,Xilinx,Pulse,ON,Everlight and Freescale. Main products comprise IC,Modules,Potentiometer,IC Socket,Relay,Connector.Our parts cover such applications as commercial,industrial, and automotives areas.

We are looking forward to setting up business relationship with you and hope to provide you with the best service and solution. Let us make a better world for our industry!



## Contact us

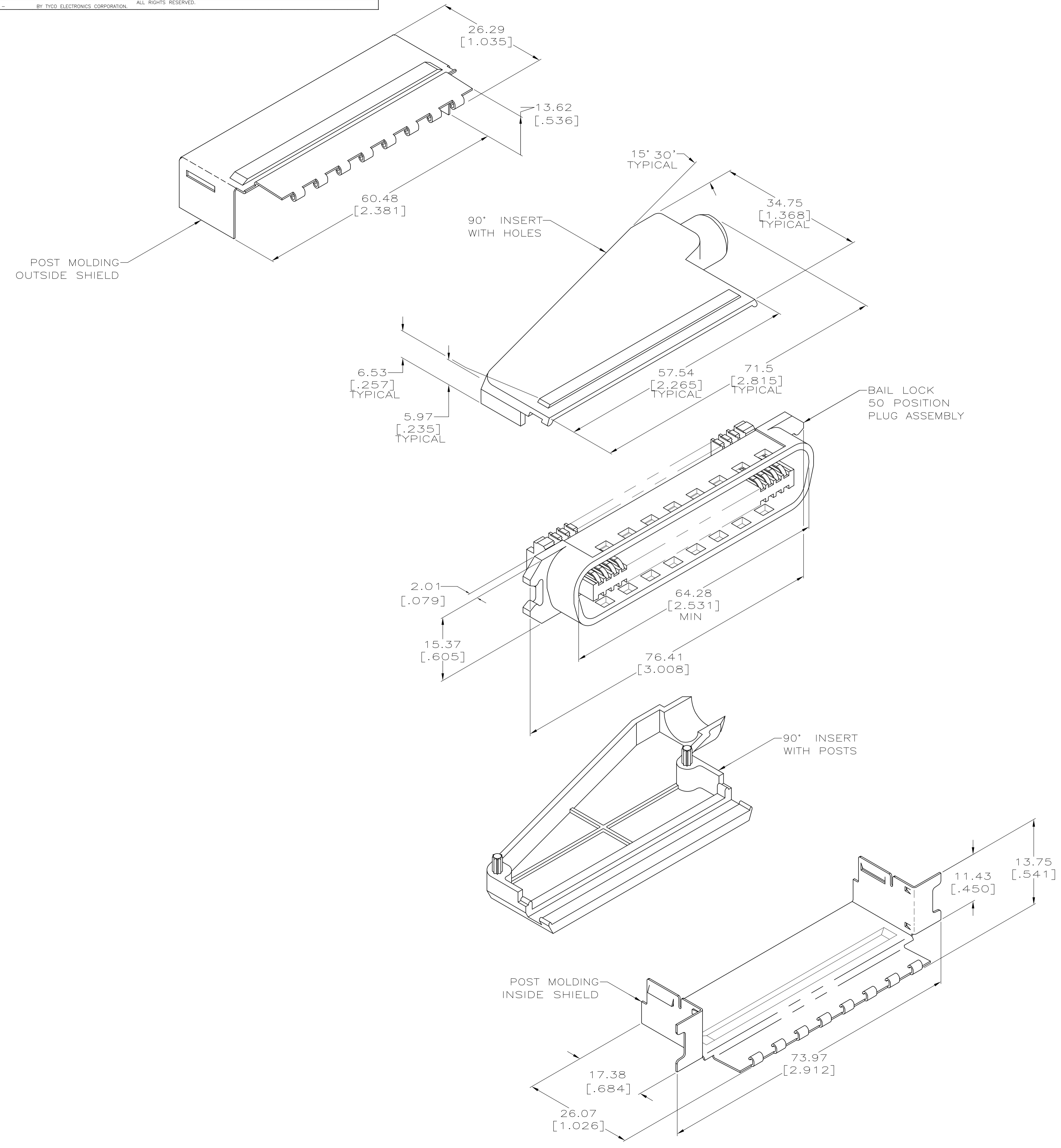
Tel: +86-755-8981 8866 Fax: +86-755-8427 6832

Email & Skype: info@chipsmall.com Web: www.chipsmall.com

Address: A1208, Overseas Decoration Building, #122 Zhenhua RD., Futian, Shenzhen, China



LOC		DIST		REVISIONS			
GP	00			REVISED PER ECO-08-007327	02OCT08	BM	WM



1. THIS KIT SHIPPED NOT ASSEMBLED.
- △ MATERIAL: INSERT – ABS MOLDING COMPOUND.  
 PLUG HOUSING – POLYPHENYLENE OXIDE, SEE TABLE FOR COLOR.  
 TERMINAL – HIGH STRENGTH COPPER ALLOY PLATED WITH 0.76μm [.000030] MIN GOLD OR GOLD FLASH OVER PALLADIUM NICKEL PLATE, 0.76μm [.000030] MIN TOTAL ON MATING SURFACE. 1.27μm [.000050] MIN NICKEL UNDERPLATE OVER ENTIRE TERMINAL.
- SHIELDS – BRIGHT NICKEL PLATED CARBON STEEL.
- △ WIRE SIZE: 24 OR 26 AWG SOLID OR 24 AWG 7 STRANDED COPPER CONDUCTORS. MAXIMUM INSULATION DIAMETER OF 1.14[.045] IS ACCEPTABLE FOR MOST APPLICATIONS.
4. CENTER-TO-CENTER SPACING OF TERMINALS IS 2.16 [.085] NOMINAL.
- △ BULK PACKAGED 500 KITS PER CONTAINER.
7. DIMENSIONS ARE MAXIMUM UNLESS OTHERWISE SPECIFIED.
- △ WIRE SIZE: 26, 27 OR 28 AWG 7 STRANDED COPPER CONDUCTORS. MAXIMUM INSULATION DIAMETER OF 1.14[.045] IS ACCEPTABLE FOR MOST APPLICATIONS.

OBSOLETE	BLACK	E	△	△	△	5-555012-3
	GRAY	E	△	△	△	5-555012-2
		B	△	△	△	5-555012-1
	HOUSING COLOR	SLOT	WIRE SIZE	PACKAGED	PART NUMBER	

THIS DRAWING IS A CONTROLLED DOCUMENT.		DIN DL DRUMMOND 7-21-95	Tyco Electronics Corporation	
DIMENSIONS: mm [INCHES]		CIK D. AHERON 8-11-95	Harrisburg, PA 17105-3608	
TOLERANCES UNLESS OTHERWISE SPECIFIED:		APPO M. HUGHES 8-11-95	NAME	
0. PLC ± -	1. PLC ± -	PLUG KIT, 50 POSITION, POST MOLDING, SHIELDED, 90 DEGREE, BAIL LOCK, CHAMP		
2. PLC ± -	3. PLC ± -	APPLICATION SPEC		
4. PLC ± -	ANGLES ± -	SIZE	CAGE CODE	DRAWING NO
		A1	00779	C=555012
MATERIAL	FINISH	WEIGHT	RESTRICTED TO	
△	△			
CUSTOMER DRAWING		SCALE	SHEET	REV
		2:1	1 of 1	M