



Chipsmall Limited consists of a professional team with an average of over 10 year of expertise in the distribution of electronic components. Based in Hongkong, we have already established firm and mutual-benefit business relationships with customers from,Europe,America and south Asia,supplying obsolete and hard-to-find components to meet their specific needs.

With the principle of “Quality Parts,Customers Priority,Honest Operation,and Considerate Service”,our business mainly focus on the distribution of electronic components. Line cards we deal with include Microchip,ALPS,ROHM,Xilinx,Pulse,ON,Everlight and Freescale. Main products comprise IC,Modules,Potentiometer,IC Socket,Relay,Connector.Our parts cover such applications as commercial,industrial, and automotives areas.

We are looking forward to setting up business relationship with you and hope to provide you with the best service and solution. Let us make a better world for our industry!



Contact us

Tel: +86-755-8981 8866 Fax: +86-755-8427 6832

Email & Skype: info@chipsmall.com Web: www.chipsmall.com

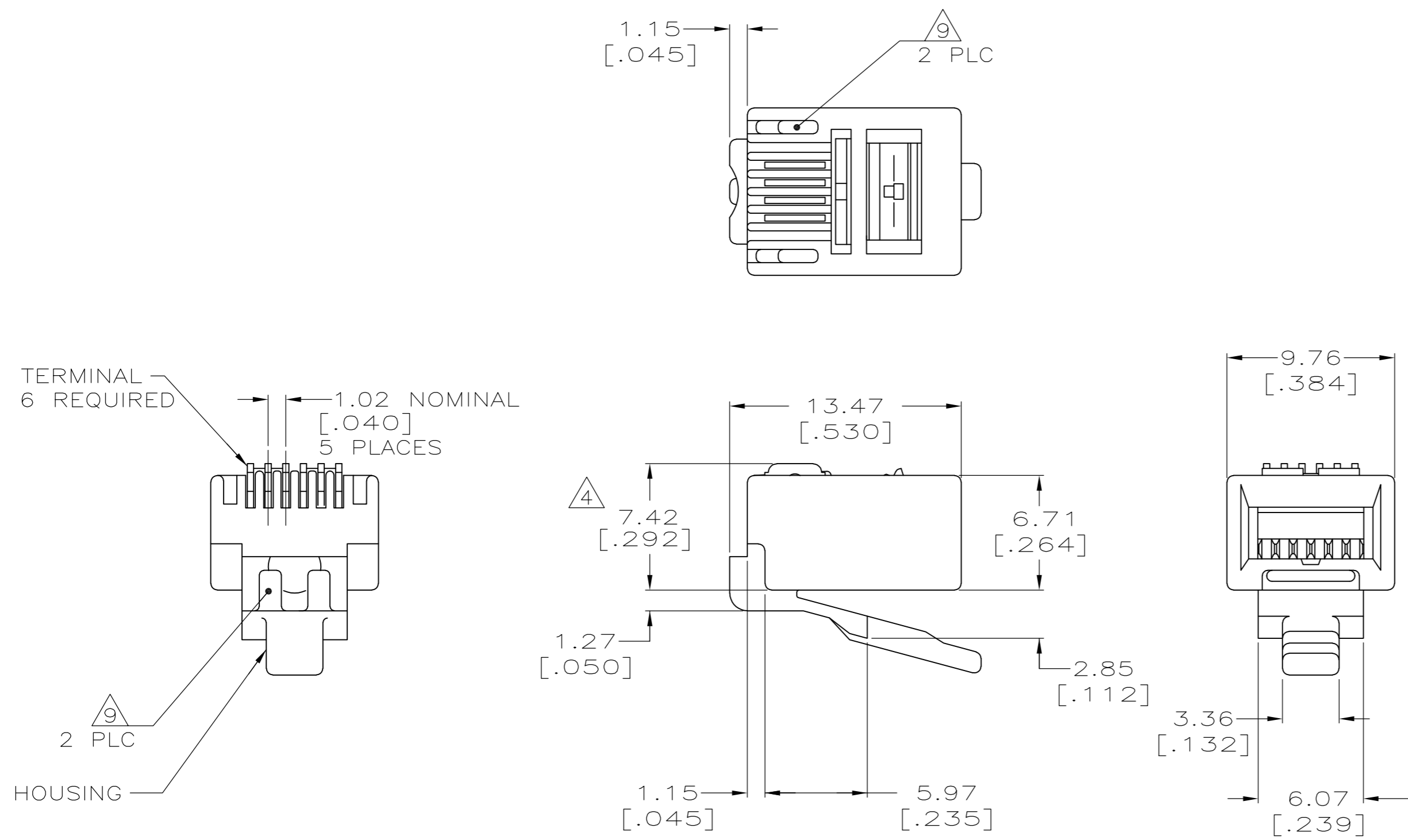
Address: A1208, Overseas Decoration Building, #122 Zhenhua RD., Futian, Shenzhen, China



THIS DRAWING IS UNPUBLISHED. RELEASED FOR PUBLICATION
 © COPYRIGHT - By - ALL RIGHTS RESERVED.

| LOC | DIST | REVISIONS | | | | | |
|-----|------|-----------|-----|---------------------------|-----------|-----|------|
| HM | 00 | P | LTR | DESCRIPTION | DATE | DWN | APVD |
| | | S | | REVISED PER ECO-12-012703 | 11JUL2012 | GG | JG |

- ① DIMENSIONS ARE MAXIMUM UNLESS OTHERWISE SPECIFIED.
- ② MATERIAL: HOUSING—POLYCARBONATE,CLEAR. TERMINAL—0.36[.014] THICK PHOSPHOR BRONZE PLATED WITH 1.27μm[.000050] THICK GOLD IN LOCALIZED GOLD PLATE AREA OVER 2.54μm[.000100] THICK NICKEL UNDERPLATE.
- ③ PLUG WILL ACCEPT 24 OR 26 AWG SOLID WIRE HAVING AN INSULATION DIAMETER RANGE OF 0.89–0.99[.035–.039] AND A MAXIMUM OVAL CABLE JACKET OF 2.29 X 6.61 [.09 X .260].
- ④ TERMINATED DIMENSION 6.15[.242] MAXIMUM.
- ⑥ 1000 ASSEMBLIES PER PACKAGE.
- ⑦ 100 ASSEMBLIES PER PACKAGE.
- ⑨ REELED PRODUCT ON STRIP DOES NOT HAVE VOID CORING ILLUSTRATED ON THIS DRAWING.



| | | |
|-----------------|-----------|------------|
| | ⑦③ | 5-555042-3 |
| | ⑥③ | 5-555042-2 |
| OBSOLETE | REELED ③⑨ | 555042-1 |
| | PACKAGED | PART NO. |

| | | | | | | | | | |
|---|--|--|------------|----------------------|-----|-----------------|-----------|------------|---------------|
| THIS DRAWING IS A CONTROLLED DOCUMENT. | | DWN | L. HALL | 12DEC2007 | | TE Connectivity | | | |
| DIMENSIONS: INCHES | | CHK | B. MCNEILL | 12DEC2007 | | NAME | | | |
| TOLERANCES UNLESS OTHERWISE SPECIFIED: | | APVD | B. MCNEILL | 12DEC2007 | | PRODUCT SPEC | | | |
| 0 PLC ± - 1 PLC ± - 2 PLC ± - 3 PLC ± - 4 PLC ± - ANGLES ± - FINISH ± - | | 108-1163 APPLICATION SPEC 114-6016 WEIGHT - | | 114-6016 WEIGHT - | | SIZE | CAGE CODE | DRAWING NO | RESTRICTED TO |
| MATERIAL - | | CUSTOMER DRAWING | | SCALE | 4:1 | SHEET | 1 of 1 | REV | S |

555042