



Chipsmall Limited consists of a professional team with an average of over 10 year of expertise in the distribution of electronic components. Based in Hongkong, we have already established firm and mutual-benefit business relationships with customers from,Europe,America and south Asia,supplying obsolete and hard-to-find components to meet their specific needs.

With the principle of “Quality Parts,Customers Priority,Honest Operation,and Considerate Service”,our business mainly focus on the distribution of electronic components. Line cards we deal with include Microchip,ALPS,ROHM,Xilinx,Pulse,ON,Everlight and Freescale. Main products comprise IC,Modules,Potentiometer,IC Socket,Relay,Connector.Our parts cover such applications as commercial,industrial, and automotives areas.

We are looking forward to setting up business relationship with you and hope to provide you with the best service and solution. Let us make a better world for our industry!



## Contact us

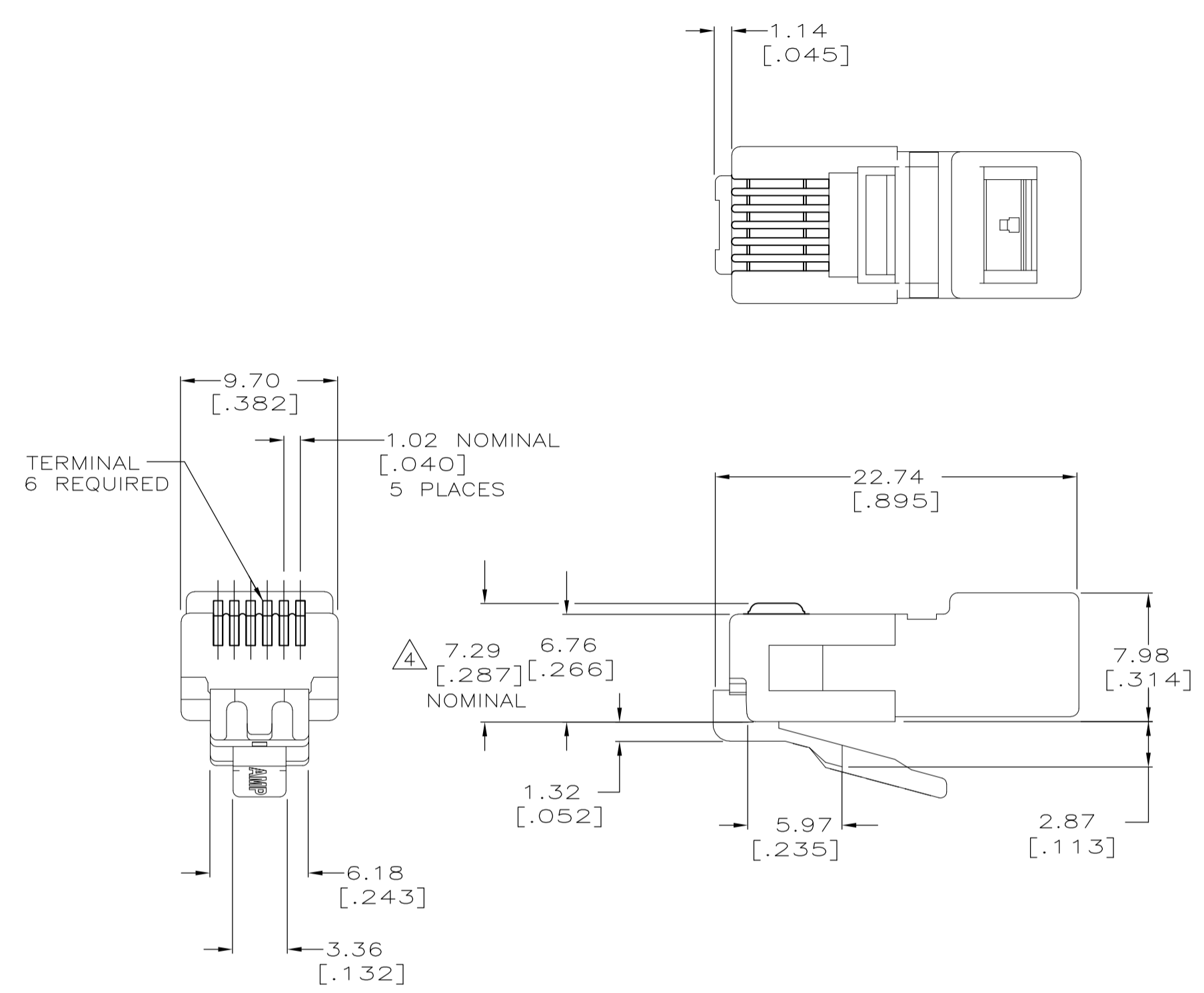
Tel: +86-755-8981 8866 Fax: +86-755-8427 6832

Email & Skype: info@chipsmall.com Web: www.chipsmall.com

Address: A1208, Overseas Decoration Building, #122 Zhenhua RD., Futian, Shenzhen, China



LOC	DIST	REVISIONS					
HM	00	P	LTR	DESCRIPTION	DATE	DWN	APVD
		K		REV PER ECO-12-012918	05JUL2012	JM	JG



1 MATERIAL: HOUSING—POLYCARBONATE, CLEAR  
 TERMINAL— .014 THICK PHOSPHOR BRONZE, PLATED  
 WITH 1.27 $\mu$ m [.000050] MINIMUM THICK  
 GOLD IN LOCALIZED GOLD PLATE AREA, OVER  
 2.54 $\mu$ m [.000100] MINIMUM THICK NICKEL  
 UNDERPLATE.

2. ALL DIMENSIONS SHOWN ARE MAXIMUM UNLESS  
 OTHERWISE SPECIFIED.

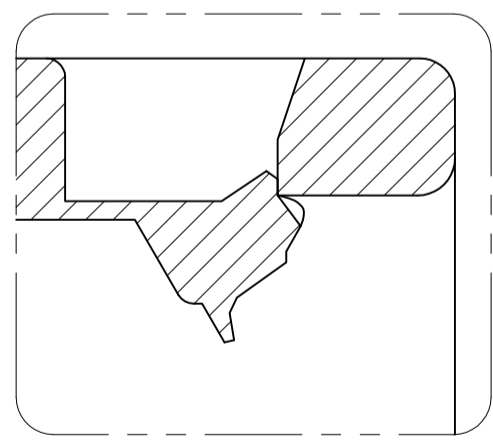
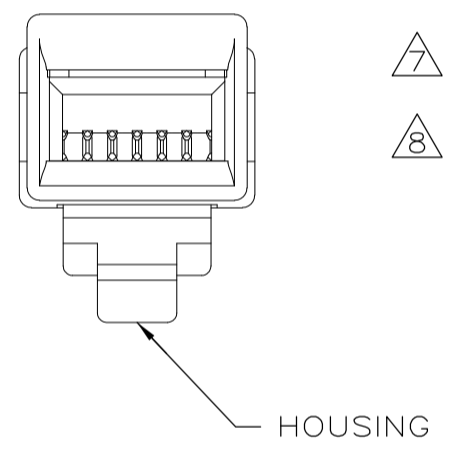
3. PLUG WILL ACCEPT 0.737[.029] – 0.99[.039] DIAMETER  
 STRANDED WIRE, 26 OR 28 AWG WITH A 2.29 [.090] X  
 6.60 [.260] JACKET.

4 TERMINATED DIMENSION 6.15 [.242]  
 MAXIMUM.

5 LATCH SHALL BE IN POSITION SHOWN IN DETAIL A  
 AFTER CRIMPING.

7 500 ASSEMBLIES PER PACKAGE.

8 100 ASSEMBLIES PER PACKAGE.



DETAIL A  
 SCALE 10:1

8	5-555176-3
7	5-555176-2
PACKAGED	PART NO

THIS DRAWING IS A CONTROLLED DOCUMENT.		DWN L. HALL 12DEC2007	Tyco Electronics Corporation Harrisburg, PA 17105-3608	
DIMENSIONS: mm [INCHES]	TOLERANCES UNLESS OTHERWISE SPECIFIED:	CHK B. MCNEILL 13DEC2007	NAME	
	0 PLC ± -	APVD B. MCNEILL 13DEC2007	PRODUCT SPEC	
	1 PLC ± -		APPLICATION SPEC	
	2 PLC ± -		WEIGHT	
	3 PLC ± -		SIZE CAGE CODE DRAWING NO	
	4 PLC ± -		RESTRICTED TO	
	ANGLES ± -		A2 00779 555176	
MATERIAL	FINISH		SCALE 4:1 SHEET 1 OF 1 REV K	
			CUSTOMER DRAWING	