



Chipsmall Limited consists of a professional team with an average of over 10 year of expertise in the distribution of electronic components. Based in Hongkong, we have already established firm and mutual-benefit business relationships with customers from,Europe,America and south Asia,supplying obsolete and hard-to-find components to meet their specific needs.

With the principle of “Quality Parts,Customers Priority,Honest Operation,and Considerate Service”,our business mainly focus on the distribution of electronic components. Line cards we deal with include Microchip,ALPS,ROHM,Xilinx,Pulse,ON,Everlight and Freescale. Main products comprise IC,Modules,Potentiometer,IC Socket,Relay,Connector.Our parts cover such applications as commercial,industrial, and automotives areas.

We are looking forward to setting up business relationship with you and hope to provide you with the best service and solution. Let us make a better world for our industry!



## Contact us

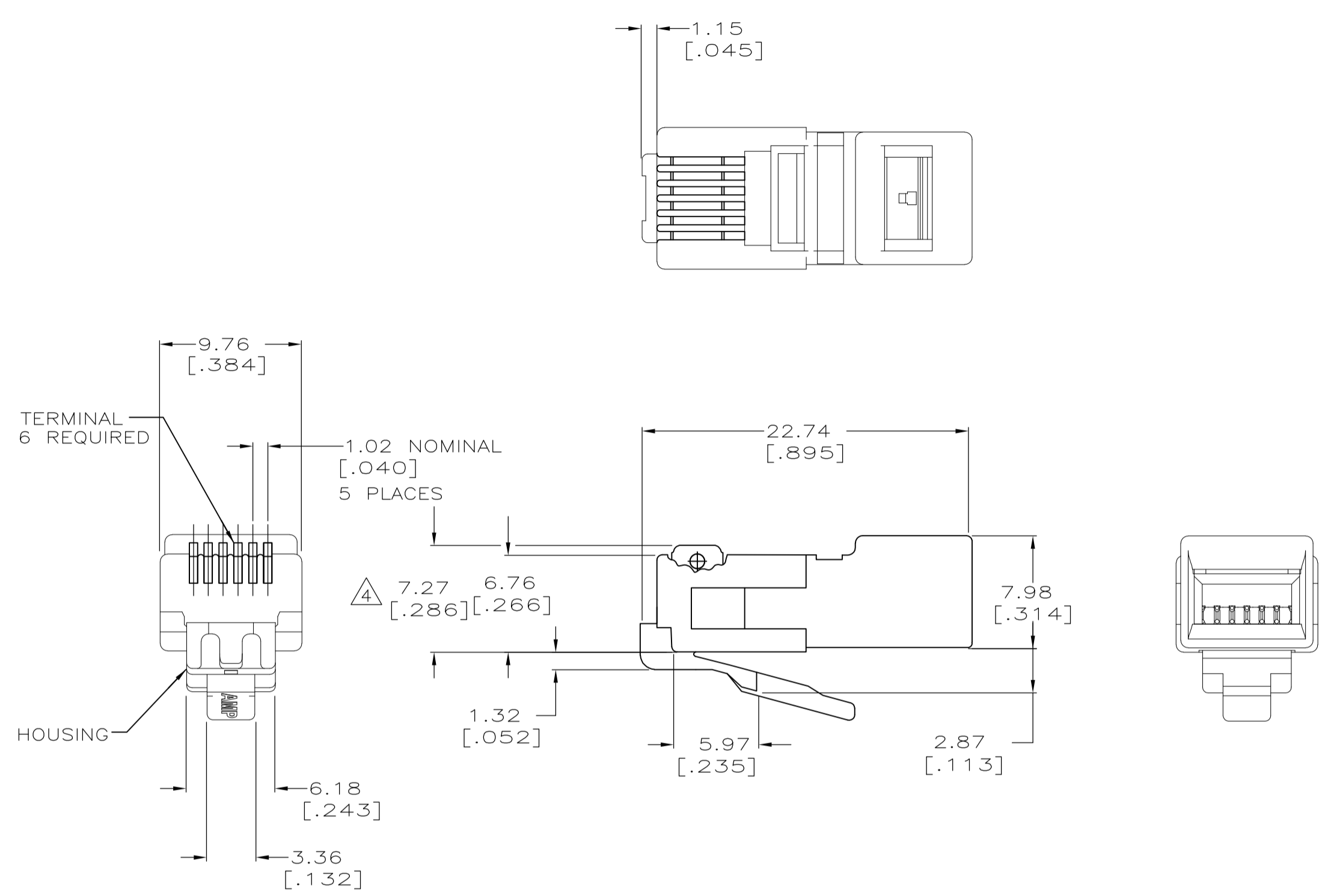
Tel: +86-755-8981 8866 Fax: +86-755-8427 6832

Email & Skype: info@chipsmall.com Web: www.chipsmall.com

Address: A1208, Overseas Decoration Building, #122 Zhenhua RD., Futian, Shenzhen, China



LOC	DIST	REVISIONS			
P	LTR	DESCRIPTION	DATE	DWN	APVD
J		REV: ECO-12-012703	11JUL2012	GG	JG



- 1 DIMENSIONS ARE MAXIMUM UNLESS OTHERWISE SPECIFIED.
- 2 MATERIAL: HOUSING-POLYCARBONATE, CLEAR  
 TERMINAL- PHOSPHOR BRONZE, PLATED WITH 1.27 $\mu$ m [.000050] MINIMUM THICK GOLD IN LOCALIZED GOLD PLATE AREA, OVER 2.54 $\mu$ m [.000100] MINIMUM THICK NICKEL UNDERPLATE.
- 3. PLUG WILL ACCEPT 24 OR 26 AWG SOLID WIRE,  $\phi$ 0.99 [.039] MAXIMUM INSULATION DIAMETER, WITH A 4.96 [.195] DIAMETER MAXIMUM JACKET.
- 4 TERMINATED DIMENSION 6.15 [.242] MAXIMUM.
- 7 500 ASSEMBLIES PER PACKAGE.
- 8 100 ASSEMBLIES PER PACKAGE.

8	5-555426-3
7	5-555426-2
PACKAGED	PART NO

THIS DRAWING IS A CONTROLLED DOCUMENT.		DWN B. SIMPSON 11-10-93	Tyco Electronics Corporation Harrisburg, PA 17105-3608	
DIMENSIONS: mm [INCHES]		CHK C. WHITT 11-18-93	NAME LAURER/MCGRATH	
TOLERANCES UNLESS OTHERWISE SPECIFIED:		APVD 11-23-93	PRODUCT SPEC 108-1163	
0 PLC ± -		APPLICATION SPEC 114-6016		
1 PLC ± -		WEIGHT -		
2 PLC ± -		SIZE A2		
3 PLC ± -		CAGE CODE 00779		
4 PLC ± -		DRAWING NO 555426		
ANGLES ± -		RESTRICTED TO		
FINISH		CUSTOMER DRAWING		
SCALE 4:1		SHEET 1 OF 1		
REV J				

555426