



Chipsmall Limited consists of a professional team with an average of over 10 year of expertise in the distribution of electronic components. Based in Hongkong, we have already established firm and mutual-benefit business relationships with customers from,Europe,America and south Asia,supplying obsolete and hard-to-find components to meet their specific needs.

With the principle of “Quality Parts,Customers Priority,Honest Operation,and Considerate Service”,our business mainly focus on the distribution of electronic components. Line cards we deal with include Microchip,ALPS,ROHM,Xilinx,Pulse,ON,Everlight and Freescale. Main products comprise IC,Modules,Potentiometer,IC Socket,Relay,Connector.Our parts cover such applications as commercial,industrial, and automotives areas.

We are looking forward to setting up business relationship with you and hope to provide you with the best service and solution. Let us make a better world for our industry!



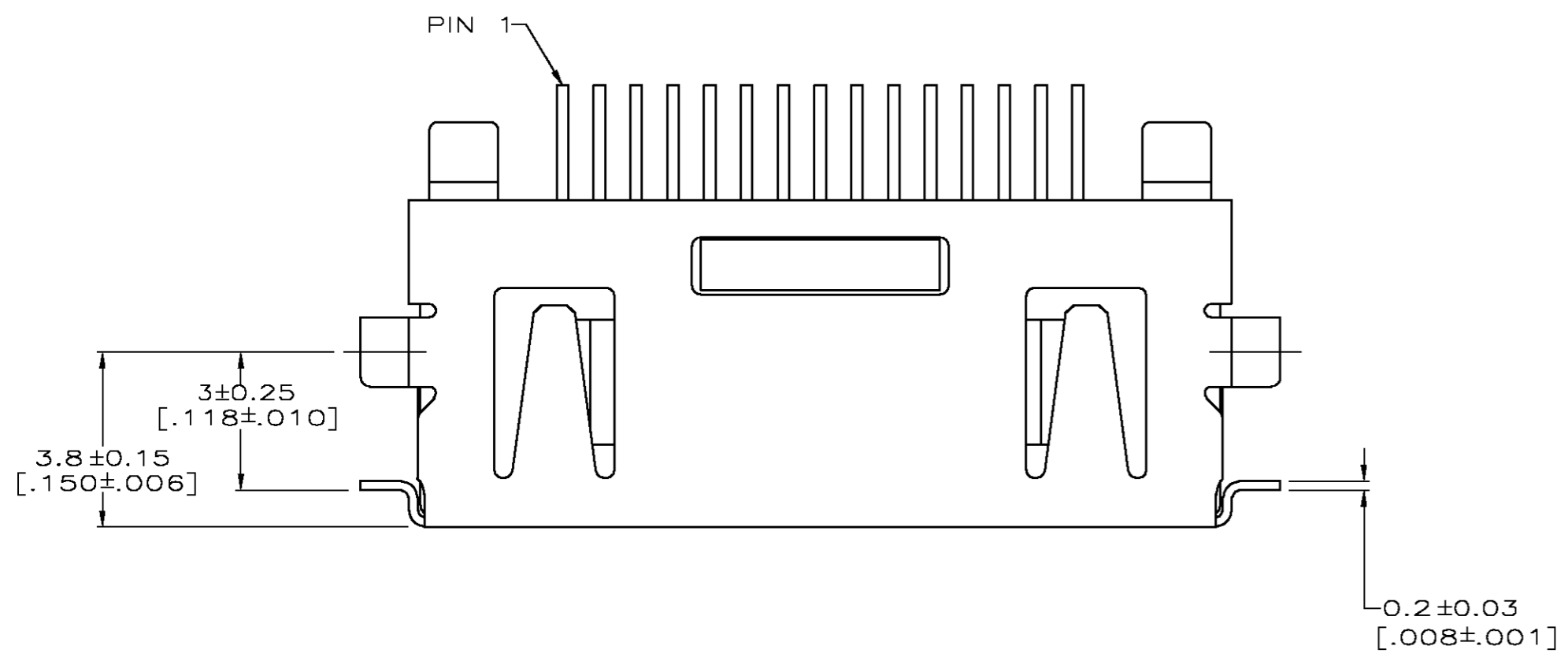
Contact us

Tel: +86-755-8981 8866 Fax: +86-755-8427 6832

Email & Skype: info@chipsmall.com Web: www.chipsmall.com

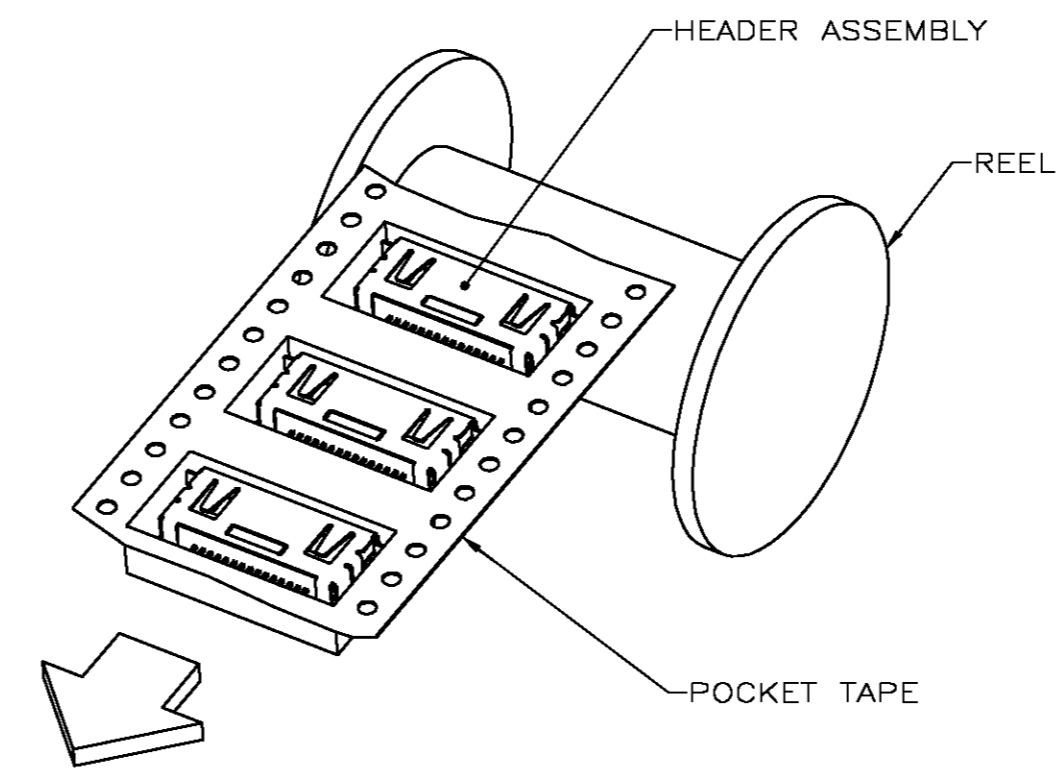
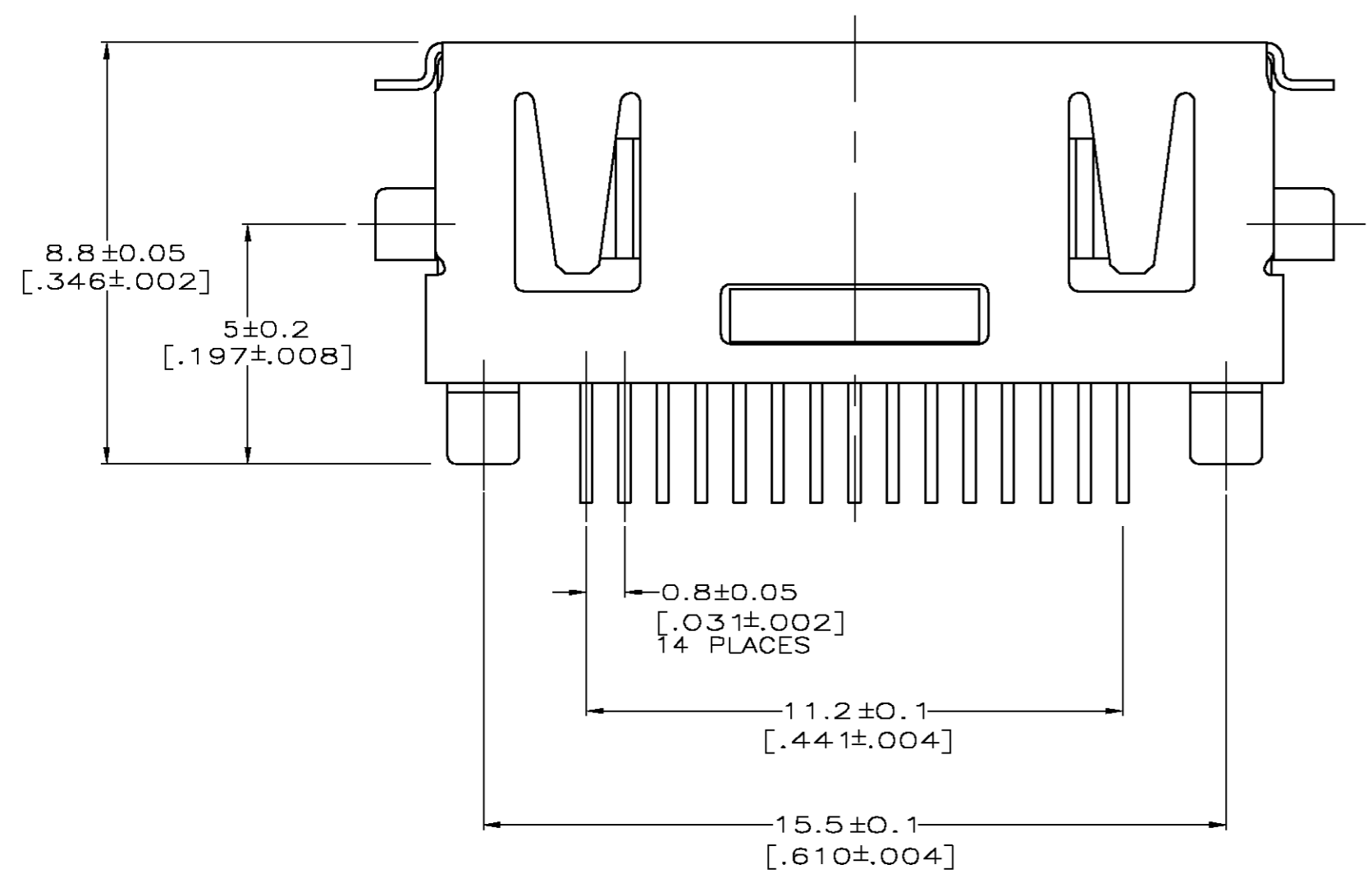
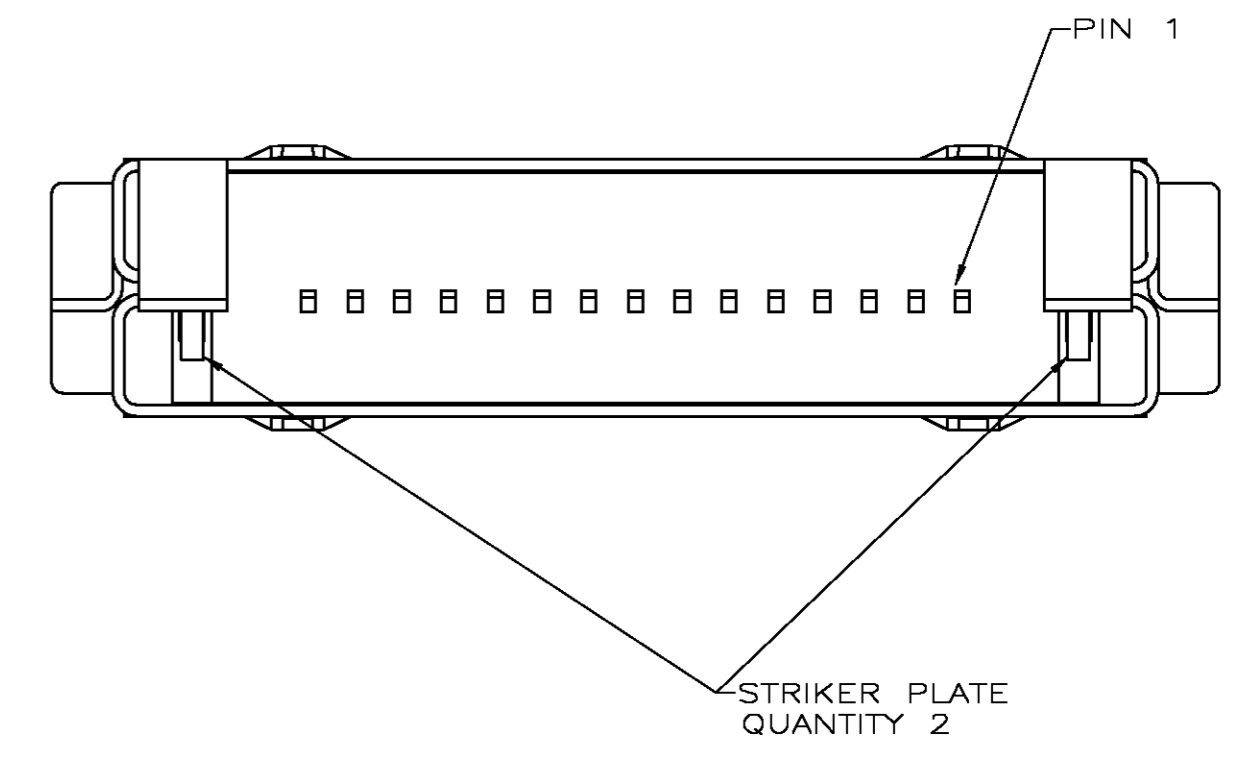
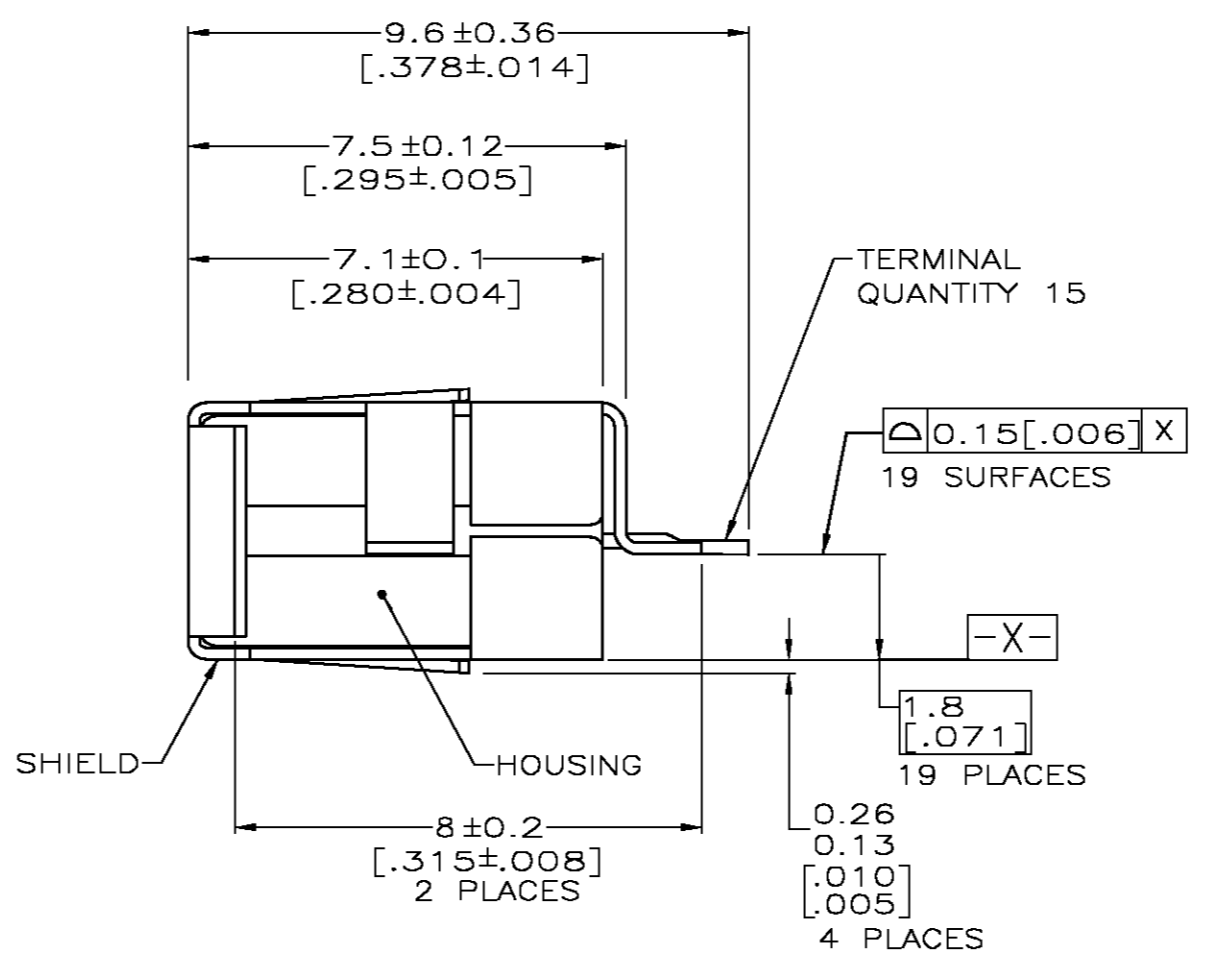
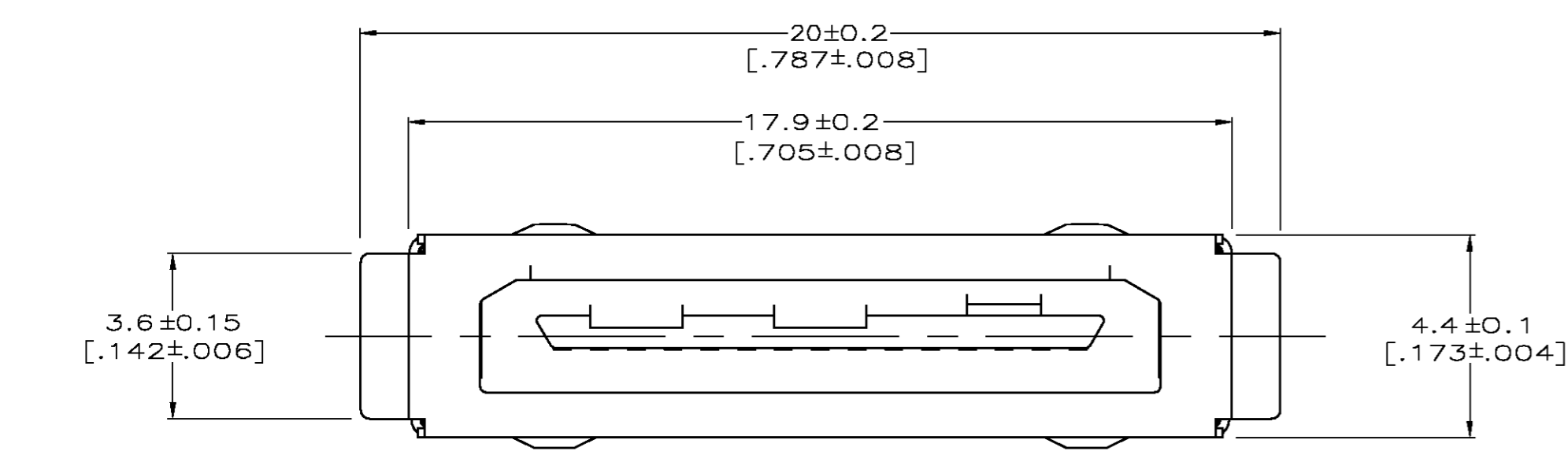
Address: A1208, Overseas Decoration Building, #122 Zhenhua RD., Futian, Shenzhen, China





⚠ MATERIAL: HOUSING - NYLON MOLDING COMPOUND, 94V-0, GLASS FILLED, BLACK.
 TERMINALS - 0.25[.010] THICK BRASS PLATED WITH 0.254 MICRONS[.000010] MINIMUM THICK GOLD OVER 1.016 MICRONS [.000040] MINIMUM THICK PALADIUM NICKEL OVER 0.05 MICRONS[.000002] MINIMUM THICK GOLD IN CONTACT AREAS AND 3.8 MICRONS[.000150] MINIMUM THICK TIN ON SOLDER TINES OVER 2.54 MICRONS[.000100] MINIMUM THICK NICKEL UNDERPLATE.
 SHIELD - STAINLESS STEEL, TIN PLATED
 STRIKER PLATE - STAINLESS STEEL.

2. PACKAGED IN TAPE AND REEL.



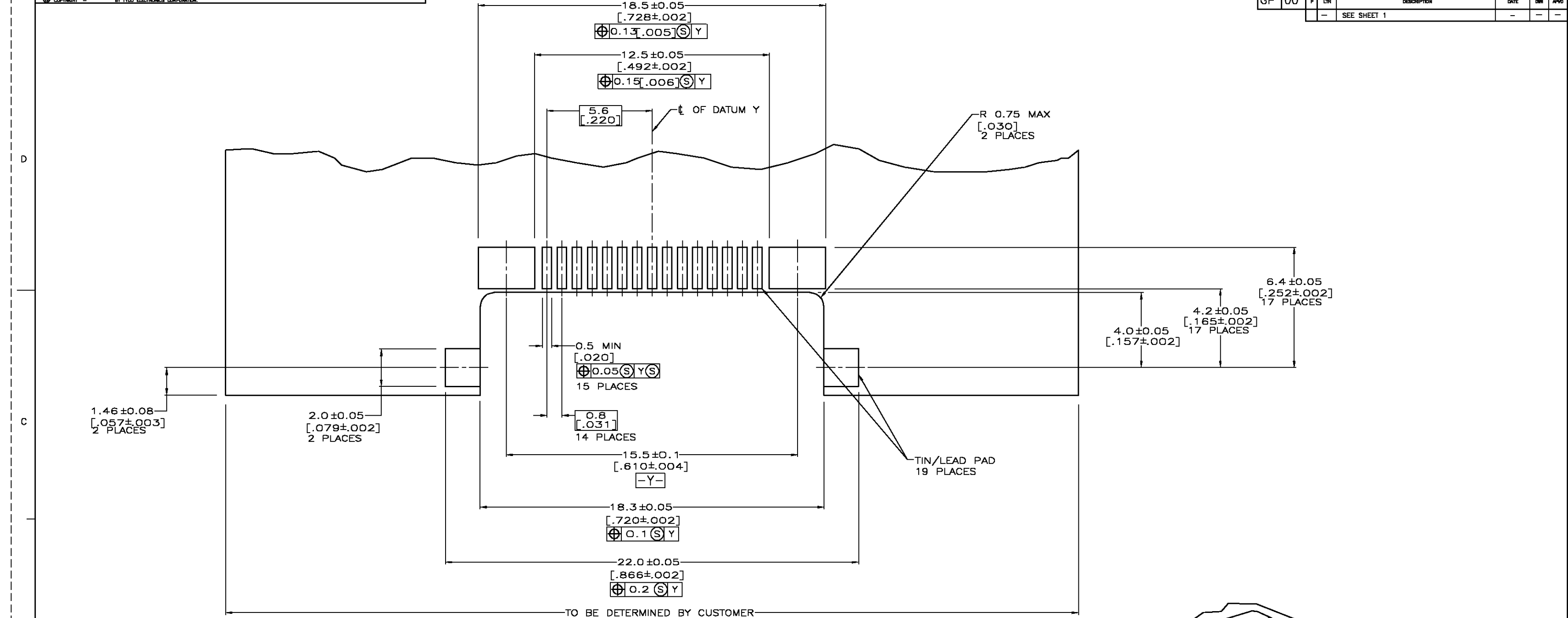
KEYING OPTION	PART NUMBER
KEY 5-15	5-5558556-5
KEY 4-15	5-5558556-4
KEY 3-15	5-5558556-3
KEY 2-15	5-5558556-2
KEY 1-15	5-5558556-1

THIS DRAWING IS A CONTROLLED DOCUMENT.

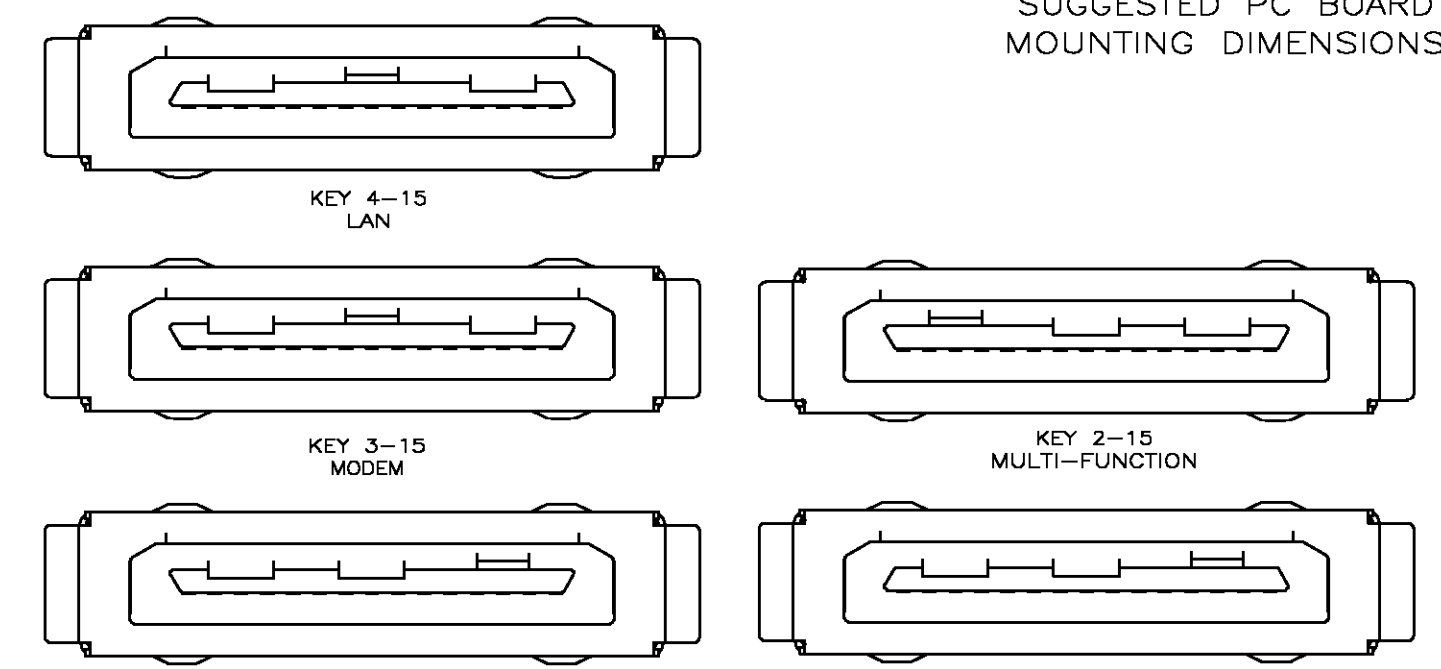
OWN: B. McMASTER	23JUN05	Tyco Electronics Corporation Harrisburg, Pa 17105-3608
CHK: D. GORENC	23JUN05	
APVD: W. WALMSLEY	23JUN05	NAME: W. WALMSLEY
PRODUCT SPEC: -		APPLICATION SPEC: -
SIZE: A1	CAGE CODE: 00779	DRAWING NO: 5558556
WEIGHT: -		RESTRICTED TO: -
CUSTOMER DRAWING	SCALE: 10:1	SHEET: 1 OF 2

REVISION: OBSOLETE - Not the latest revision

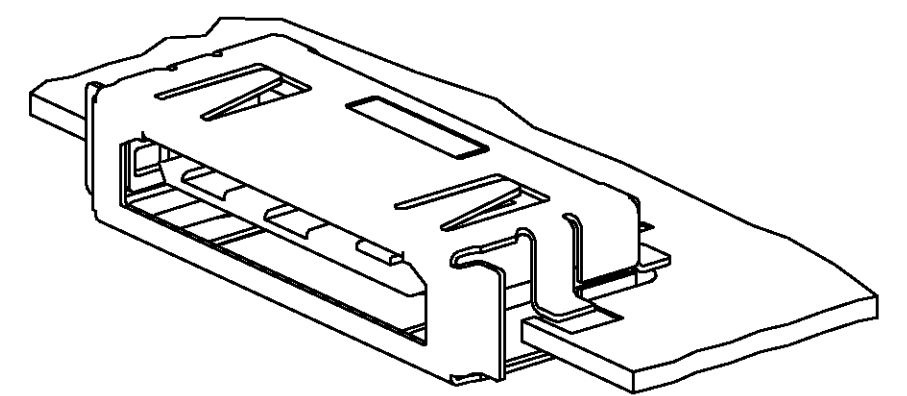
LOC	REV	DESCRIPTION	DATE	BY	APP
GP	00	SEE SHEET 1			



SUGGESTED PC BOARD MOUNTING DIMENSIONS



KEYING OPTIONS SCALE 8:1



THIS DRAWING IS A CONTROLLED DOCUMENT.		DATE	BY	APPROVED	TYCO ELECTRONICS CORPORATION Harrisburg, Pa 17105-3808
DIMENSIONS: mm (INCHES)		DATE	BY	APPROVED	
MATERIAL		DATE	BY	APPROVED	
FINISH		DATE	BY	APPROVED	
CUSTOMER DRAWING		DATE	BY	APPROVED	
DRAWING NO. A100779		SCALE	SHEET 2 OF 2		REV 0