



Chipsmall Limited consists of a professional team with an average of over 10 year of expertise in the distribution of electronic components. Based in Hongkong, we have already established firm and mutual-benefit business relationships with customers from,Europe,America and south Asia,supplying obsolete and hard-to-find components to meet their specific needs.

With the principle of “Quality Parts,Customers Priority,Honest Operation,and Considerate Service”,our business mainly focus on the distribution of electronic components. Line cards we deal with include Microchip,ALPS,ROHM,Xilinx,Pulse,ON,Everlight and Freescale. Main products comprise IC,Modules,Potentiometer,IC Socket,Relay,Connector.Our parts cover such applications as commercial,industrial, and automotives areas.

We are looking forward to setting up business relationship with you and hope to provide you with the best service and solution. Let us make a better world for our industry!



## Contact us

Tel: +86-755-8981 8866 Fax: +86-755-8427 6832

Email & Skype: info@chipsmall.com Web: www.chipsmall.com

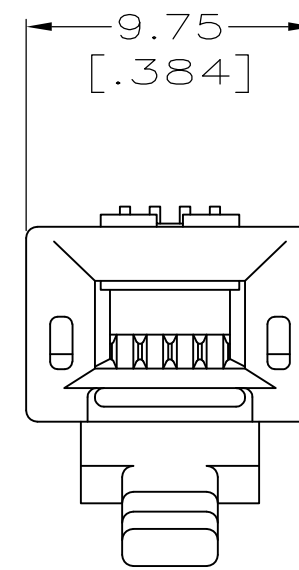
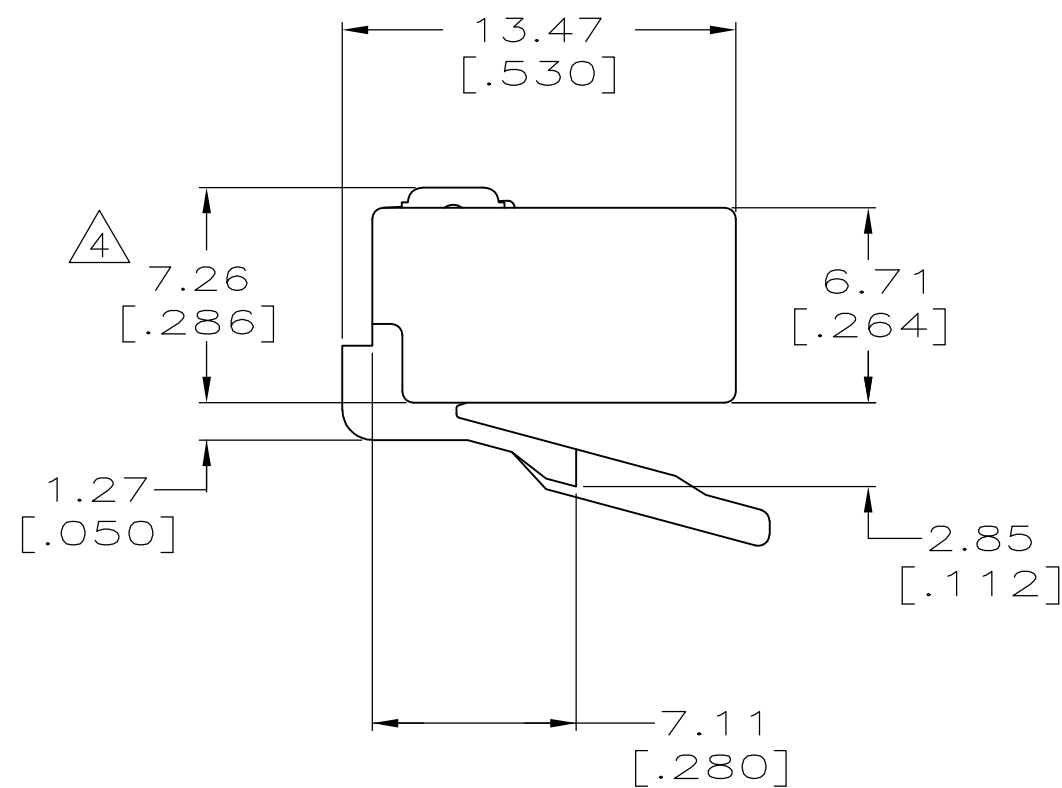
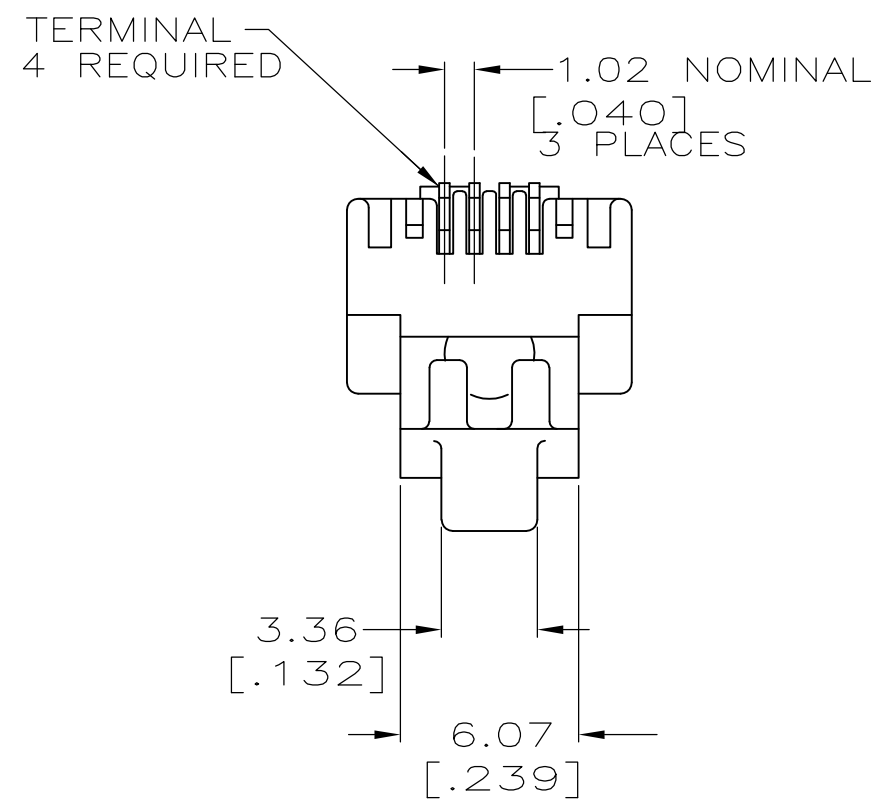
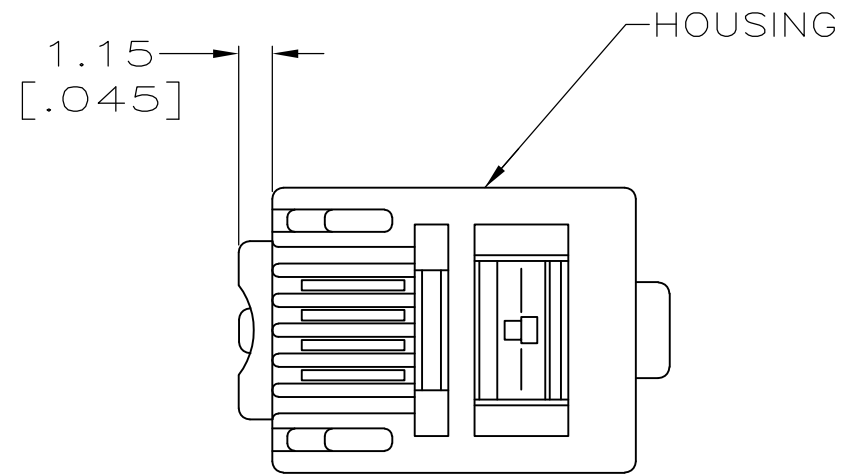
Address: A1208, Overseas Decoration Building, #122 Zhenhua RD., Futian, Shenzhen, China



THIS DRAWING IS UNPUBLISHED. RELEASED FOR PUBLICATION  
 © COPYRIGHT BY TYCO ELECTRONICS CORPORATION. ALL RIGHTS RESERVED.

LOC	DIST	REVISIONS			
P	LTR	DESCRIPTION	DATE	DWN	APVD
HM	00	G	REV ECO-08-004066	21FEB08	LH BM

- ① ALL DIMENSIONS SHOWN ARE MAXIMUM UNLESS OTHERWISE SPECIFIED.
- ② MATERIAL: HOUSING - POLYCARBONATE CLEAR. TERMINAL - 0.36[.014] THICK PHOSPHOR BRONZE PLATED WITH 1.27um [.000050] THICK GOLD IN THE LOCALIZED GOLD PLATE AREA, GOLD FLASH OVER THE REMAINDER, OVER 2.54um[.000100] THICK NICKEL UNDERPLATE.
- 3. PLUG WILL ACCEPT 24 OR 26 AWG SOLID WIRE HAVING A MAXIMUM INSULATION DIAMETER OF 0.99[.039] AND A MAXIMUM ROUND CABLE JACKET DIAMETER OF 2.54 [.100] OR OVAL CABLE JACKET OF 2.29 X 4.83[.090 X .190] MAXIMUM.
- ④ TERMINATED DIMENSION: 6.15[.242] MAXIMUM.
- ⑤ 1000 PIECES PER PACKAGE.
- ⑥ 100 PIECES PER PACKAGE.



⑥	LOOSE PIECE	5-556384-3
⑤		5-556384-2
PACKAGED	DESCRIPTION	PART NO.

THIS DRAWING IS A CONTROLLED DOCUMENT.		DWN L. HALL 21FEB2008	Tyco Electronics Corporation Harrisburg, PA 17105-3608	
DIMENSIONS: MM [INCHES]		CHK B. MCNEILL 21FEB2008	NAME	
TOLERANCES UNLESS OTHERWISE SPECIFIED:		APVD B. MCNEILL 21FEB2008	PRODUCT SPEC	
0 PLC ± - ①	1 PLC ± - ①	108-1163	MODULAR PLUG ASSEMBLY, 4 POSITION, SOLID WIRE, 24 AND 26 AWG	
2 PLC ± - ①	3 PLC ± - ①	114-6016	SIZE A2	CAGE CODE 00779
4 PLC ± - ①	ANGLES ± - ①	FINISH - ②	DRAWING NO. C=556384	RESTRICTED TO -
MATERIAL - ②		WEIGHT -	SCALE 4:1	SHEET 1 of 1
CUSTOMER DRAWING		REV G		