



Chipsmall Limited consists of a professional team with an average of over 10 year of expertise in the distribution of electronic components. Based in Hongkong, we have already established firm and mutual-benefit business relationships with customers from,Europe,America and south Asia,supplying obsolete and hard-to-find components to meet their specific needs.

With the principle of “Quality Parts,Customers Priority,Honest Operation,and Considerate Service”,our business mainly focus on the distribution of electronic components. Line cards we deal with include Microchip,ALPS,ROHM,Xilinx,Pulse,ON,Everlight and Freescale. Main products comprise IC,Modules,Potentiometer,IC Socket,Relay,Connector.Our parts cover such applications as commercial,industrial, and automotives areas.

We are looking forward to setting up business relationship with you and hope to provide you with the best service and solution. Let us make a better world for our industry!



Contact us

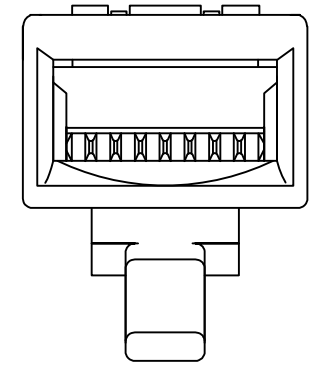
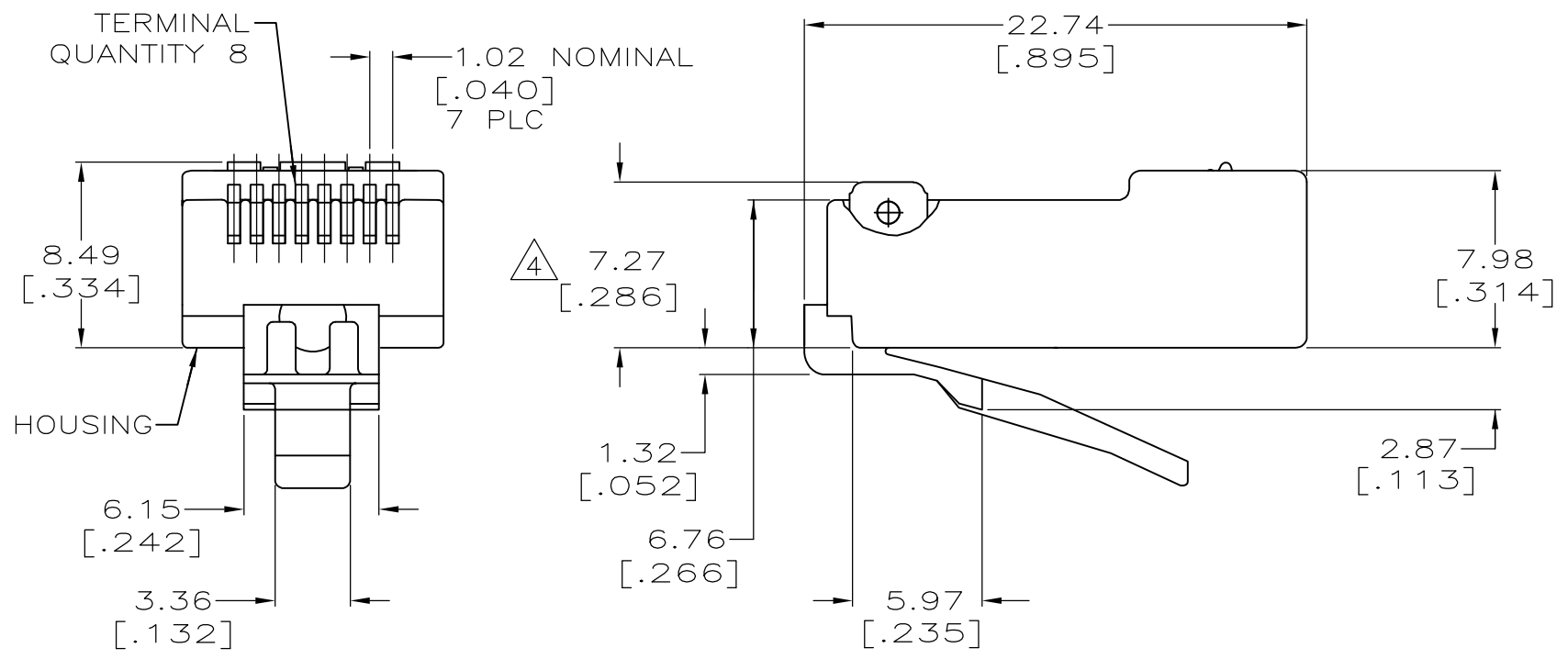
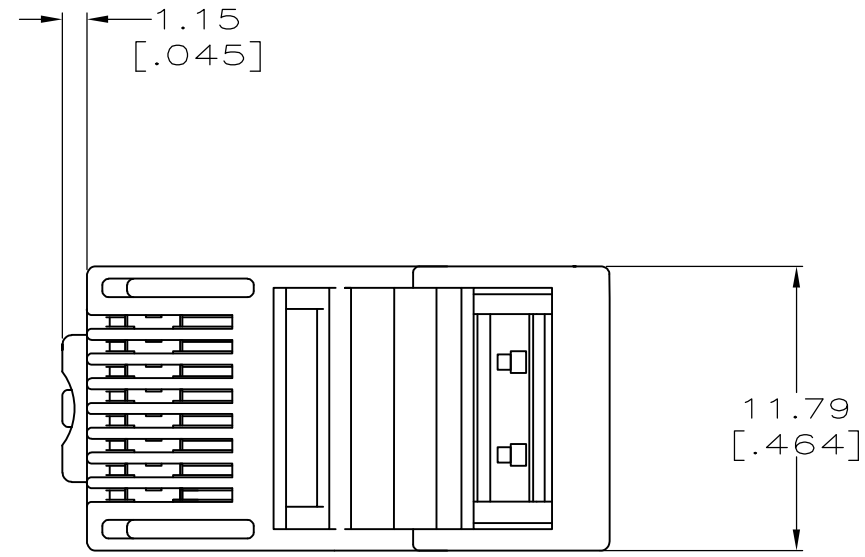
Tel: +86-755-8981 8866 Fax: +86-755-8427 6832

Email & Skype: info@chipsmall.com Web: www.chipsmall.com

Address: A1208, Overseas Decoration Building, #122 Zhenhua RD., Futian, Shenzhen, China



LOC		DIST		REVISIONS				
P	LTR	DESCRIPTION	DATE	DWN	APVD			
HM	00	F	REVISED PER ECO-12-012703	11JUL12	GG	JG		



- 1. DIMENSIONS ARE MAXIMUM UNLESS OTHERWISE SPECIFIED.
- 2. MATERIAL: HOUSING—POLYCARBONATE, CLEAR.
 TERMINAL—PHOSPHOR BRONZE, PLATED WITH 1.27 μm [.000050] MINIMUM THICK GOLD IN LOCALIZED GOLD PLATE AREA OVER 2.54 μm [.000100] MINIMUM THICK NICKEL UNDERPLATE.
- 3. PLUG WILL ACCEPT 26 OR 24 AWG SOLID WIRE, 0.74–0.99 [.029–.039] DIAMETER, WITH A 5.08 [.200] DIAMETER JACKET.
- 4. TERMINATED DIMENSION 6.15 [.242] MAXIMUM.
- 5. 10,000 LOOSE PIECES PER PACKAGE.
- 6. 500 LOOSE PIECES PER PACKAGE.
- 7. 100 ASSEMBLIES PER PACKAGE.

7	5-557315-3
6	5-557315-2
5	5-557315-1
PACKAGED PART NO	

THIS DRAWING IS A CONTROLLED DOCUMENT.		DWN D. DRUMMOND 4-26-91	STE TE Connectivity	
DIMENSIONS: mm[INCHES]		CHK M. MAYBERRY 4-6-92		
TOLERANCES UNLESS OTHERWISE SPECIFIED:		APVD LAURER/MCGRATH 10-5-94	NAME MODULAR PLUG ASSEMBLY, 8 POSITION, SOLID WIRE, ROUND CABLE	
0 PLC ± -		PRODUCT SPEC 108-1163	SIZE A2	
1 PLC ± -		APPLICATION SPEC 114-6016	CAGE CODE 00779	
2 PLC ± -		WEIGHT -	DRAWING NO 557315	
3 PLC ± -		CUSTOMER DRAWING	RESTRICTED TO -	
4 PLC ± -		SCALE 4:1	SHEET 1 OF 1	
ANGLES ± -			REV F	
FINISH ± -				

557315