



Chipsmall Limited consists of a professional team with an average of over 10 year of expertise in the distribution of electronic components. Based in Hongkong, we have already established firm and mutual-benefit business relationships with customers from,Europe,America and south Asia,supplying obsolete and hard-to-find components to meet their specific needs.

With the principle of “Quality Parts,Customers Priority,Honest Operation,and Considerate Service”,our business mainly focus on the distribution of electronic components. Line cards we deal with include Microchip,ALPS,ROHM,Xilinx,Pulse,ON,Everlight and Freescale. Main products comprise IC,Modules,Potentiometer,IC Socket,Relay,Connector.Our parts cover such applications as commercial,industrial, and automotives areas.

We are looking forward to setting up business relationship with you and hope to provide you with the best service and solution. Let us make a better world for our industry!



Contact us

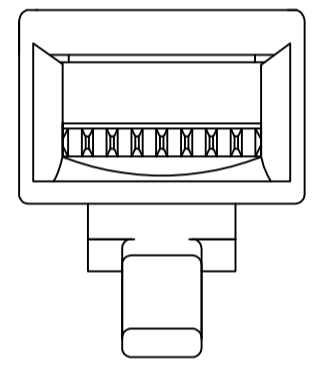
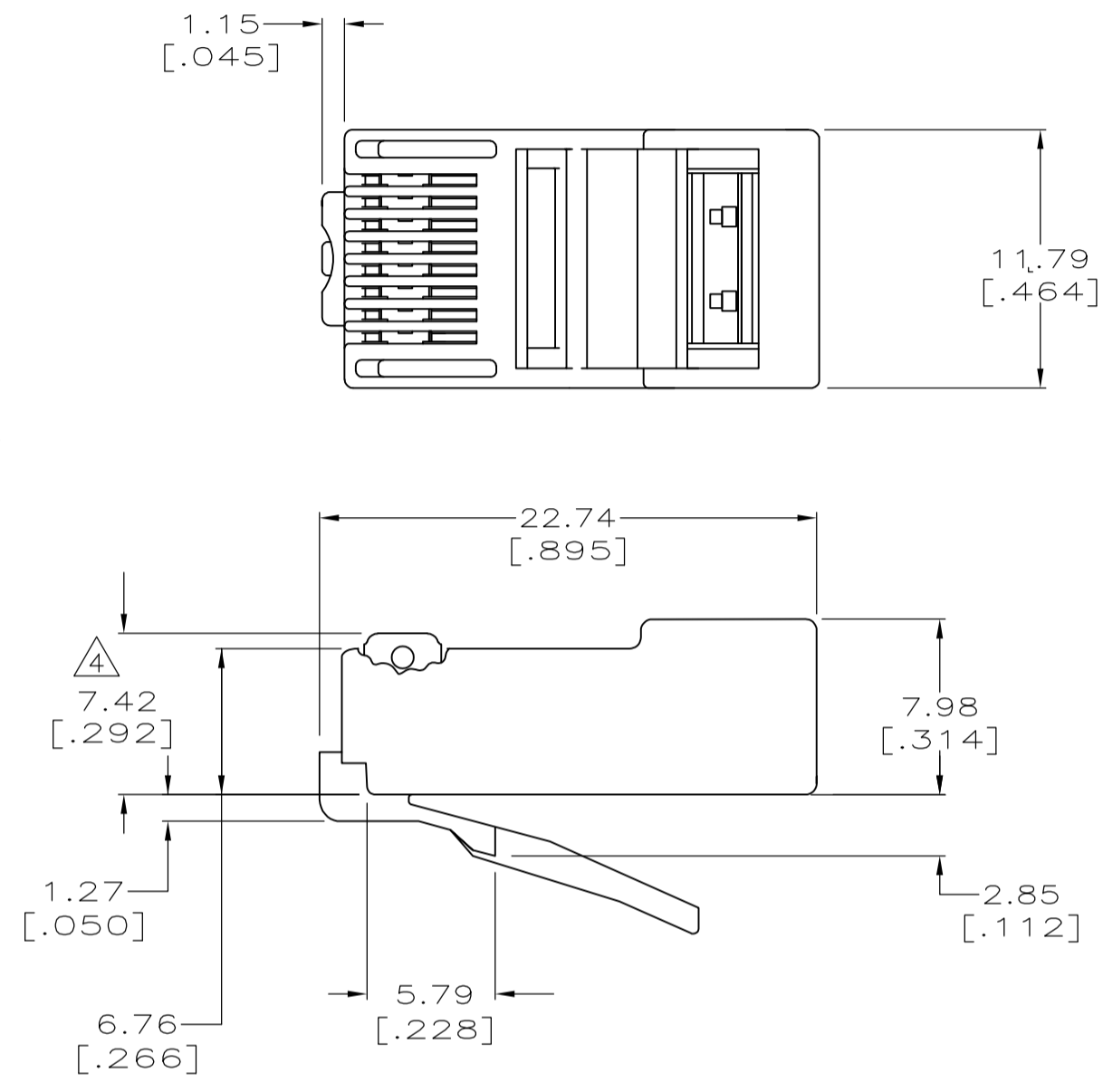
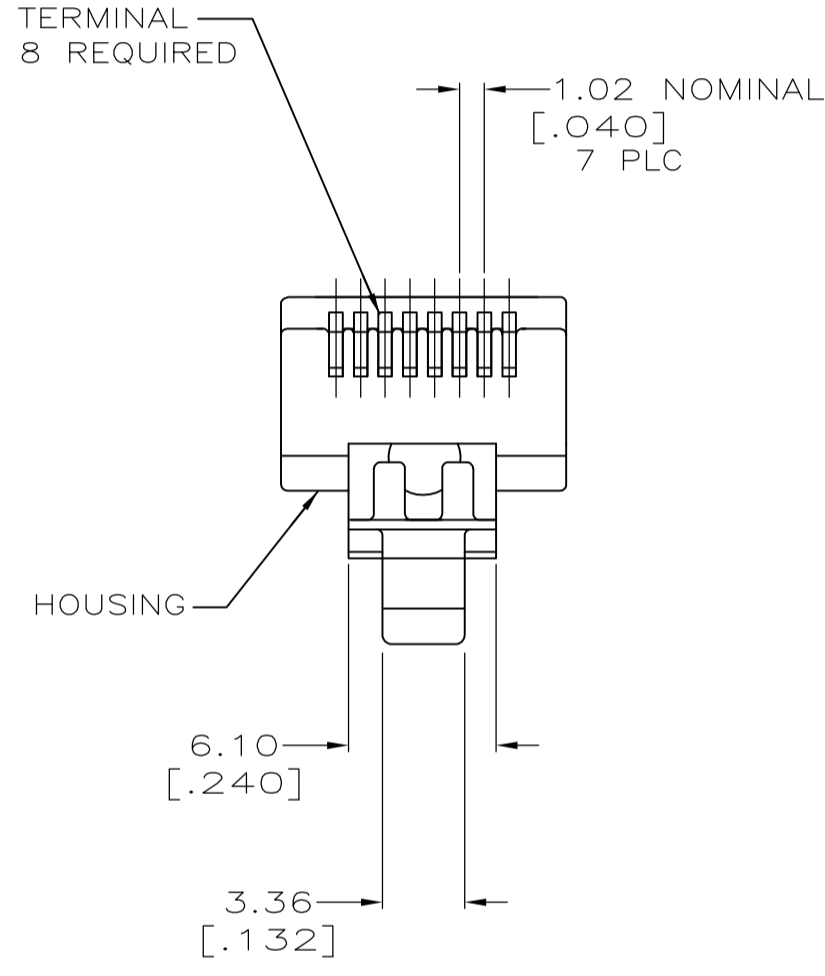
Tel: +86-755-8981 8866 Fax: +86-755-8427 6832

Email & Skype: info@chipsmall.com Web: www.chipsmall.com

Address: A1208, Overseas Decoration Building, #122 Zhenhua RD., Futian, Shenzhen, China



LOC		DIST		REVISIONS			
P	LTR	DESCRIPTION	DATE	DWN	APVD		
D		REV PER ECO-12-012918	05JUL2012	JM	JG		



- ① DIMENSIONS ARE MAXIMUM UNLESS OTHERWISE SPECIFIED.
- ② MATERIAL: HOUSING- POLYCARBONATE, CLEAR
 TERMINAL- PHOSPHOR BRONZE, PLATED WITH 1.27μm [.000050] MINIMUM THICK GOLD IN LOCALIZED GOLD PLATE AREA, OVER 2.54μm [.000100] MINIMUM THICK NICKEL UNDERPLATE.
- 3. PLUG WILL ACCEPT 26 OR 28 AWG STRANDED WIRE, 0.74-0.99 [.029-.039] DIAMETER.
- ④ TERMINATED DIMENSION 6.15 [.242] MAXIMUM.
- ⑤ 10,000 ASSEMBLIES PER PACKAGE.
- ⑥ 500 ASSEMBLIES PER PACKAGE.
- ⑦ 100 ASSEMBLIES PER PACKAGE.

⑦	5-557961-3
⑥	5-557961-2
⑤	5-557961-1

THIS DRAWING IS A CONTROLLED DOCUMENT.		DWN B. SIMPSON 4-22-93	Tyco Electronics Corporation Harrisburg, PA 17105-3608															
DIMENSIONS: mm [INCHES]		CHK C. WHITT 4-30-93	NAME MCCRATH/HAWKINS															
TOLERANCES UNLESS OTHERWISE SPECIFIED:		APVD 5-5-93	PRODUCT SPEC															
<table border="0"> <tr><td>0 PLC</td><td>± -</td><td>①</td></tr> <tr><td>1 PLC</td><td>± -</td><td></td></tr> <tr><td>2 PLC</td><td>± -</td><td></td></tr> <tr><td>3 PLC</td><td>± -</td><td></td></tr> <tr><td>4 PLC</td><td>± -</td><td></td></tr> </table>		0 PLC	± -	①	1 PLC	± -		2 PLC	± -		3 PLC	± -		4 PLC	± -		APPLICATION SPEC	
0 PLC	± -	①																
1 PLC	± -																	
2 PLC	± -																	
3 PLC	± -																	
4 PLC	± -																	
MATERIAL - ②		WEIGHT -	SIZE A2	CAGE CODE 00779														
FINISH - ②		DRAWING NO 557961		RESTRICTED TO														
CUSTOMER DRAWING		SCALE 4:1	SHEET 1 OF 1	REV D														

557961