



Chipsmall Limited consists of a professional team with an average of over 10 year of expertise in the distribution of electronic components. Based in Hongkong, we have already established firm and mutual-benefit business relationships with customers from,Europe,America and south Asia,supplying obsolete and hard-to-find components to meet their specific needs.

With the principle of “Quality Parts,Customers Priority,Honest Operation,and Considerate Service”,our business mainly focus on the distribution of electronic components. Line cards we deal with include Microchip,ALPS,ROHM,Xilinx,Pulse,ON,Everlight and Freescale. Main products comprise IC,Modules,Potentiometer,IC Socket,Relay,Connector.Our parts cover such applications as commercial,industrial, and automotives areas.

We are looking forward to setting up business relationship with you and hope to provide you with the best service and solution. Let us make a better world for our industry!



Contact us

Tel: +86-755-8981 8866 Fax: +86-755-8427 6832

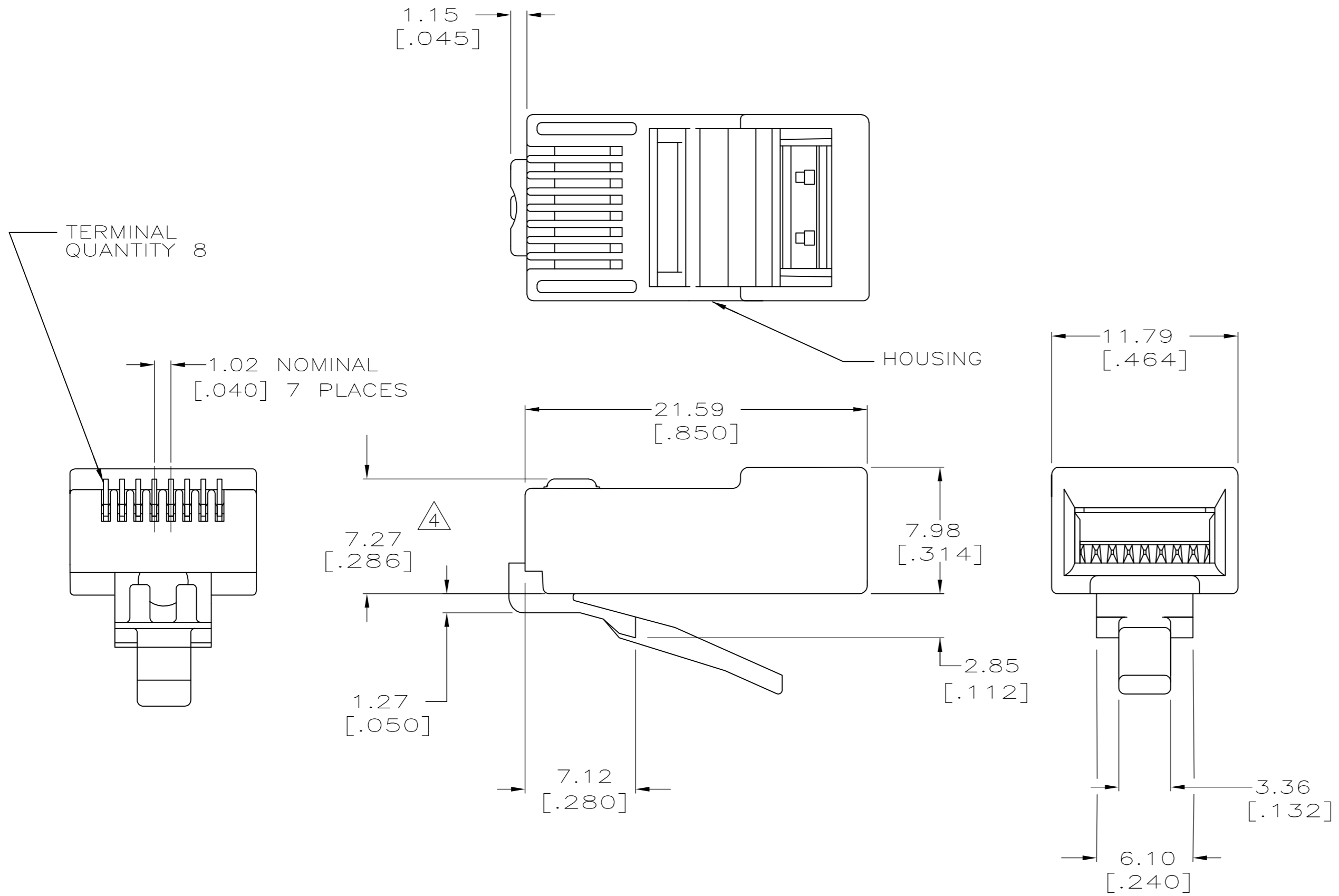
Email & Skype: info@chipsmall.com Web: www.chipsmall.com

Address: A1208, Overseas Decoration Building, #122 Zhenhua RD., Futian, Shenzhen, China



THIS DRAWING IS UNPUBLISHED. RELEASED FOR PUBLICATION
 © COPYRIGHT - By - ALL RIGHTS RESERVED.

LOC	DIST	REVISIONS					
		P	LTR	DESCRIPTION	DATE	DWN	APVD
HM	00	D		REV PER ECO-12-012703	12JUL12	JB	JG



- 1. DIMENSIONS ARE MAXIMUM UNLESS OTHERWISE SPECIFIED.
- 2. MATERIAL: HOUSING— POLYCARBONATE BLUE. TERMINAL— PHOSPHOR BRONZE, PLATED WITH 1.27 μ m [0.00050] MINIMUM THICK GOLD IN LOCALIZED GOLD PLATE AREA OVER 2.54 μ m [0.000100] MINIMUM THICK NICKEL UNDERPLATE.
- 3. PLUG WILL ACCEPT 26 OR 28 AWG SOLID WIRE, 0.74–0.86 [0.029–0.034] DIAMETER, WITH AN OVAL CABLE JACKET OF 2.29 X 8.77 [0.090 X 0.345] MAXIMUM.
- 4. TERMINATED DIMENSION 6.15 [0.242] MAXIMUM.
- 5. 1000 ASSEMBLIES PER PACKAGE.
- 6. 100 ASSEMBLIES PER PACKAGE.

6	5-557972-3
5	5-557972-2
PACKAGED	PART NO.

THIS DRAWING IS A CONTROLLED DOCUMENT.		DWN	B. SIMPSON	6-9-93	 TE Connectivity
DIMENSIONS: INCHES		CHK	C. WHITT	6-17-93	
TOLERANCES UNLESS OTHERWISE SPECIFIED:		APVD	HAWKINS/MCGRATH	6-21-93	
0 PLC ± - 1 1 PLC ± - 1 2 PLC ± - 1 3 PLC ± - 1 4 PLC ± - 1 ANGLES ± - 1 FINISH 1		PRODUCT SPEC	108-1163	NAME	
MATERIAL	2	WEIGHT	-	SIZE	A2
CUSTOMER DRAWING		CAGE CODE	00779	DRAWING NO	C=557972
		SCALE	4:1	SHEET	1 of 1
		REV	D	RESTRICTED TO	