



Chipsmall Limited consists of a professional team with an average of over 10 year of expertise in the distribution of electronic components. Based in Hongkong, we have already established firm and mutual-benefit business relationships with customers from,Europe,America and south Asia,supplying obsolete and hard-to-find components to meet their specific needs.

With the principle of “Quality Parts,Customers Priority,Honest Operation,and Considerate Service”,our business mainly focus on the distribution of electronic components. Line cards we deal with include Microchip,ALPS,ROHM,Xilinx,Pulse,ON,Everlight and Freescale. Main products comprise IC,Modules,Potentiometer,IC Socket,Relay,Connector.Our parts cover such applications as commercial,industrial, and automotives areas.

We are looking forward to setting up business relationship with you and hope to provide you with the best service and solution. Let us make a better world for our industry!



Contact us

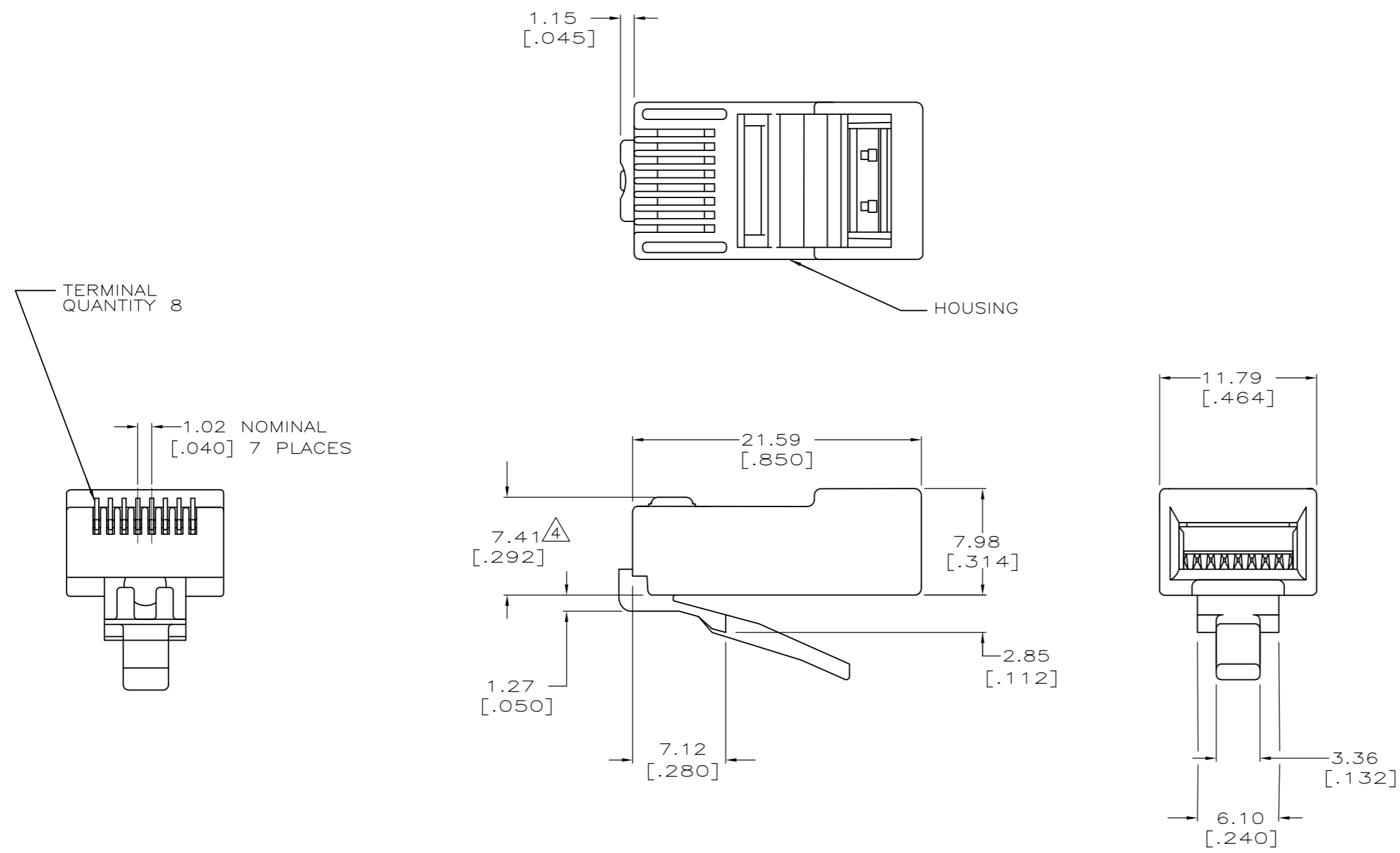
Tel: +86-755-8981 8866 Fax: +86-755-8427 6832

Email & Skype: info@chipsmall.com Web: www.chipsmall.com

Address: A1208, Overseas Decoration Building, #122 Zhenhua RD., Futian, Shenzhen, China



LOC	DIST	REVISIONS			
P	LTR	DESCRIPTION	DATE	DWN	APVD
D		REV PER ECO-12-012918	05JUL2012	JM	JG



- 1. DIMENSIONS ARE MAXIMUM UNLESS OTHERWISE SPECIFIED.
- 2. MATERIAL: HOUSING- POLYCARBONATE BLUE. TERMINAL- PHOSPHOR BRONZE, PLATED WITH 1.27 μ m [.000050] MINIMUM THICK GOLD IN LOCALIZED GOLD PLATE AREA, OVER 2.54 μ m [.000100] MINIMUM THICK NICKEL UNDERPLATE.
- 3. PLUG WILL ACCEPT 26 OR 28 AWG STRANDED WIRE, 0.74-0.86 [.029-.034] DIAMETER, WITH AN OVAL CABLE JACKET OF 2.29 X 8.77 [.090 X .345] MAXIMUM.
- 4. TERMINATED DIMENSION 6.15 [.242] MAXIMUM.
- 5. 1000 ASSEMBLIES PER PACKAGE.
- 6. 100 ASSEMBLIES PER PACKAGE.

6	5-557973-3
5	5-557973-2

THIS DRAWING IS A CONTROLLED DOCUMENT.		DWN B. SIMPSON 6-9-93	Tyco Electronics Corporation Harrisburg, PA 17105-3608	
DIMENSIONS: mm [INCHES]		CHK C. WHITT 6-17-93	APVD HAWKINS/MCGRATH 6-21-93	
TOLERANCES UNLESS OTHERWISE SPECIFIED:		NAME MODULAR PLUG ASSEMBLY, 8 POSITION, LINE, SMALL CONDUCTOR, STRANDED WIRE		
0 PLC	± -	PRODUCT SPEC 108-1163		
1 PLC	± -	APPLICATION SPEC 114-6016		
2 PLC	± -	SIZE	CAGE CODE	DRAWING NO
3 PLC	± -	A2	00779	C=557973
4 PLC	± -	RESTRICTED TO		
ANGLES	± -	CUSTOMER DRAWING		
MATERIAL	FINISH	SCALE 4:1 SHEET 1 OF 1 REV D		
2	2			