



Chipsmall Limited consists of a professional team with an average of over 10 year of expertise in the distribution of electronic components. Based in Hongkong, we have already established firm and mutual-benefit business relationships with customers from,Europe,America and south Asia,supplying obsolete and hard-to-find components to meet their specific needs.

With the principle of "Quality Parts,Customers Priority,Honest Operation,and Considerate Service",our business mainly focus on the distribution of electronic components. Line cards we deal with include Microchip,ALPS,ROHM,Xilinx,Pulse,ON,Everlight and Freescale. Main products comprise IC,Modules,Potentiometer,IC Socket,Relay,Connector.Our parts cover such applications as commercial,industrial, and automotives areas.

We are looking forward to setting up business relationship with you and hope to provide you with the best service and solution. Let us make a better world for our industry!



## Contact us

Tel: +86-755-8981 8866 Fax: +86-755-8427 6832

Email & Skype: info@chipsmall.com Web: www.chipsmall.com

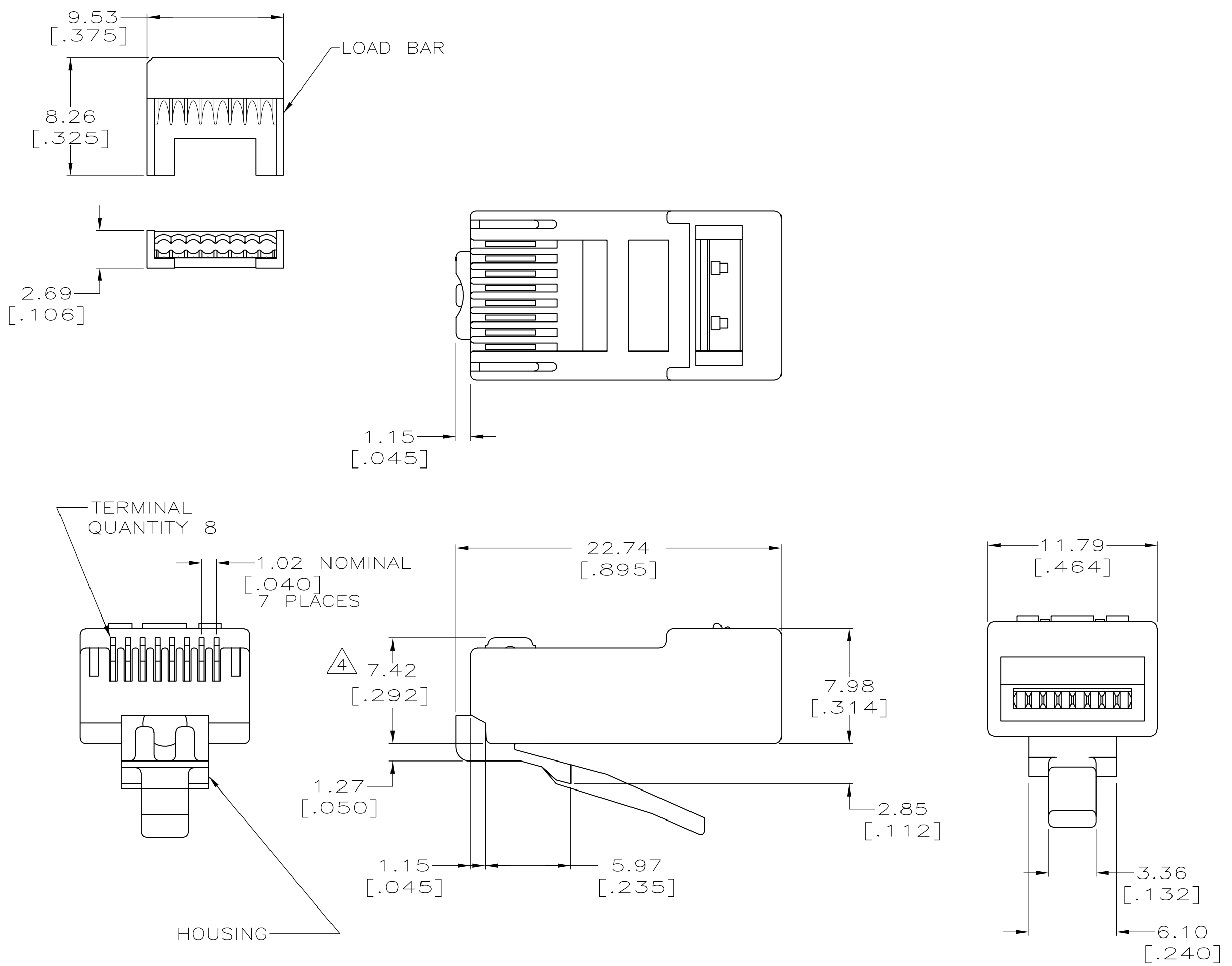
Address: A1208, Overseas Decoration Building, #122 Zhenhua RD., Futian, Shenzhen, China



THIS DRAWING IS UNPUBLISHED. RELEASED FOR PUBLICATION  
 © COPYRIGHT - By - ALL RIGHTS RESERVED.

LOC	DIST	REVISIONS			
P	LTR	DESCRIPTION	DATE	OWN	APVD
HM	00	H	REV PER ECO-12-012918	05JUL2012	JM JG

D  
C  
B  
A



- 1. MATERIAL:  
 HOUSING-94V-0 RATED POLYCARBONATE,CLEAR.  
 TERMINAL-0.36[.014] THICK PHOSPHOR  
 BRONZE PLATED WITH 1.27 $\mu$ m[.000050]  
 MINIMUM THICK GOLD IN LOCALIZED  
 AREA, OVER 2.54 $\mu$ m[.000100] MINIMUM THICK  
 NICKEL UNDERPLATE.  
 LOAD BAR - PBT POLYESTER, BLACK.
- 2. DIMENSIONS ARE MAXIMUM UNLESS  
 OTHERWISE SPECIFIED.
- 3. PLUG WILL ACCEPT A 24 AWG STRANDED  
 CONDUCTOR, PROVIDED THE INSULATED  
 CONDUCTOR DIAMETER IS LESS THAN OR  
 EQUAL TO 0.99 [.039]; WITH A MAXIMUM  
 CABLE JACKET DIAMETER OF 5.59 [.220],  
 MINIMUM 4.83 [.190].
- 4. TERMINATED DIMENSION 6.15[.242]  
 MAXIMUM.
- 5. 500 ASSEMBLIES AND 500 LOAD  
 BARS PER PACKAGE.
- 6. 100 ASSEMBLIES AND 100 LOAD  
 BARS PER PACKAGE.
- 8. 10,000 ASSEMBLIES AND 10,000  
 LOAD BARS PER PACKAGE.
- 9. UL RECOGNIZED: FILE NUMBER E81956

6	5-558530-3
5	5-558530-2
8	5-558530-1
PACKAGED	PART NUMBER

THIS DRAWING IS A CONTROLLED DOCUMENT.		DWN T. WOOTEN 5-31-94	TE Connectivity	
DIMENSIONS: mm[INCHES]		CHK D. HUSSEY 7-13-94	APVD	
TOLERANCES UNLESS OTHERWISE SPECIFIED:		NAME		
0 PLC	± -	PRODUCT SPEC		
1 PLC	± -	108-1163		
2 PLC	± -	APPLICATION SPEC		
3 PLC	± -	114-6053		
4 PLC	± -	SIZE CAGE CODE DRAWING NO		
ANGLES	± -	A2 00779 C-558530		
MATERIAL	-	RESTRICTED TO		
FINISH	-	WEIGHT		
		CUSTOMER DRAWING		
		SCALE 4:1 SHEET 1 OF 1 REV H		

558530

A