



Chipsmall Limited consists of a professional team with an average of over 10 year of expertise in the distribution of electronic components. Based in Hongkong, we have already established firm and mutual-benefit business relationships with customers from,Europe,America and south Asia,supplying obsolete and hard-to-find components to meet their specific needs.

With the principle of "Quality Parts,Customers Priority,Honest Operation,and Considerate Service",our business mainly focus on the distribution of electronic components. Line cards we deal with include Microchip,ALPS,ROHM,Xilinx,Pulse,ON,Everlight and Freescale. Main products comprise IC,Modules,Potentiometer,IC Socket,Relay,Connector.Our parts cover such applications as commercial,industrial, and automotives areas.

We are looking forward to setting up business relationship with you and hope to provide you with the best service and solution. Let us make a better world for our industry!



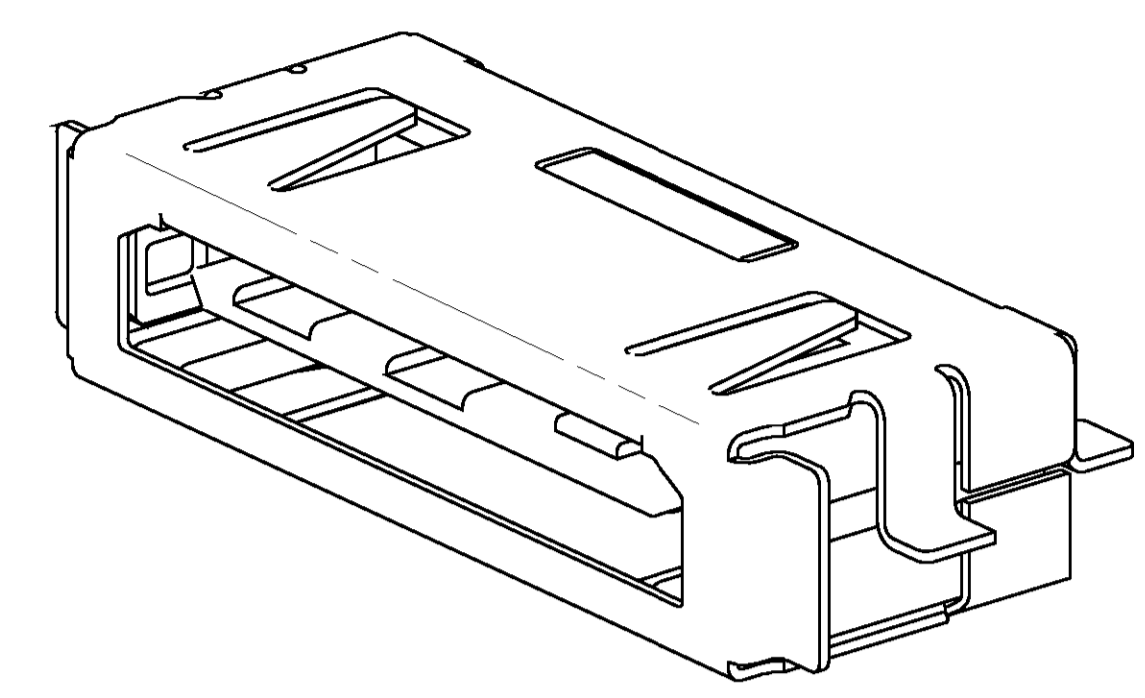
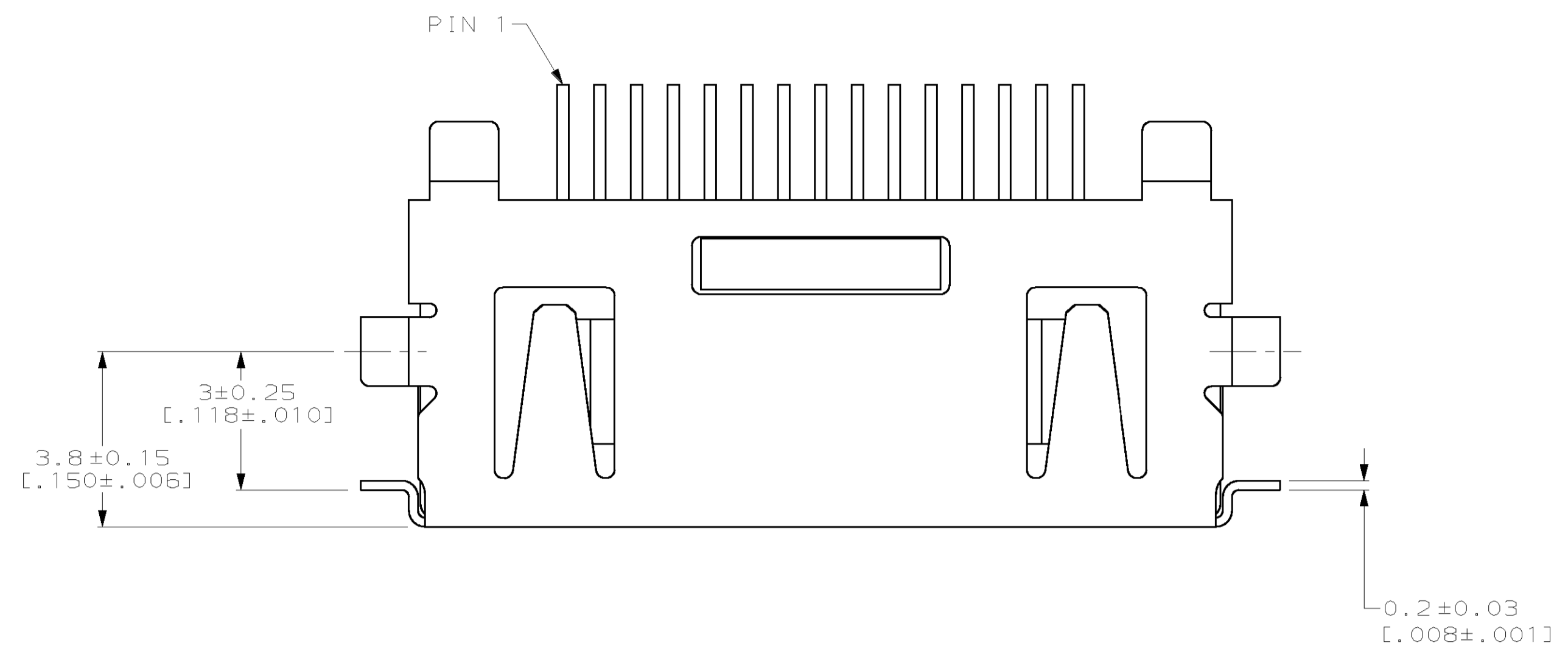
Contact us

Tel: +86-755-8981 8866 Fax: +86-755-8427 6832

Email & Skype: info@chipsmall.com Web: www.chipsmall.com

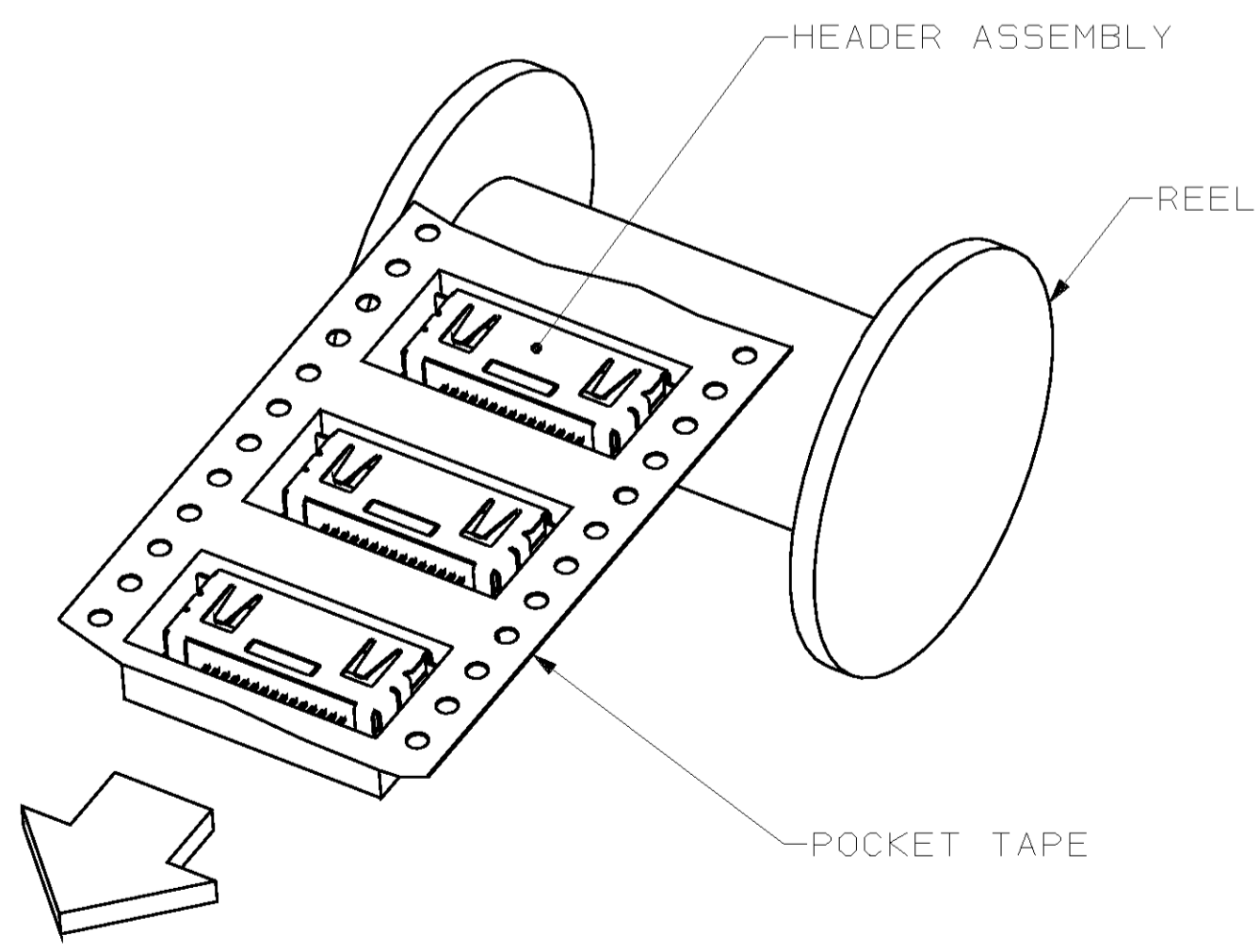
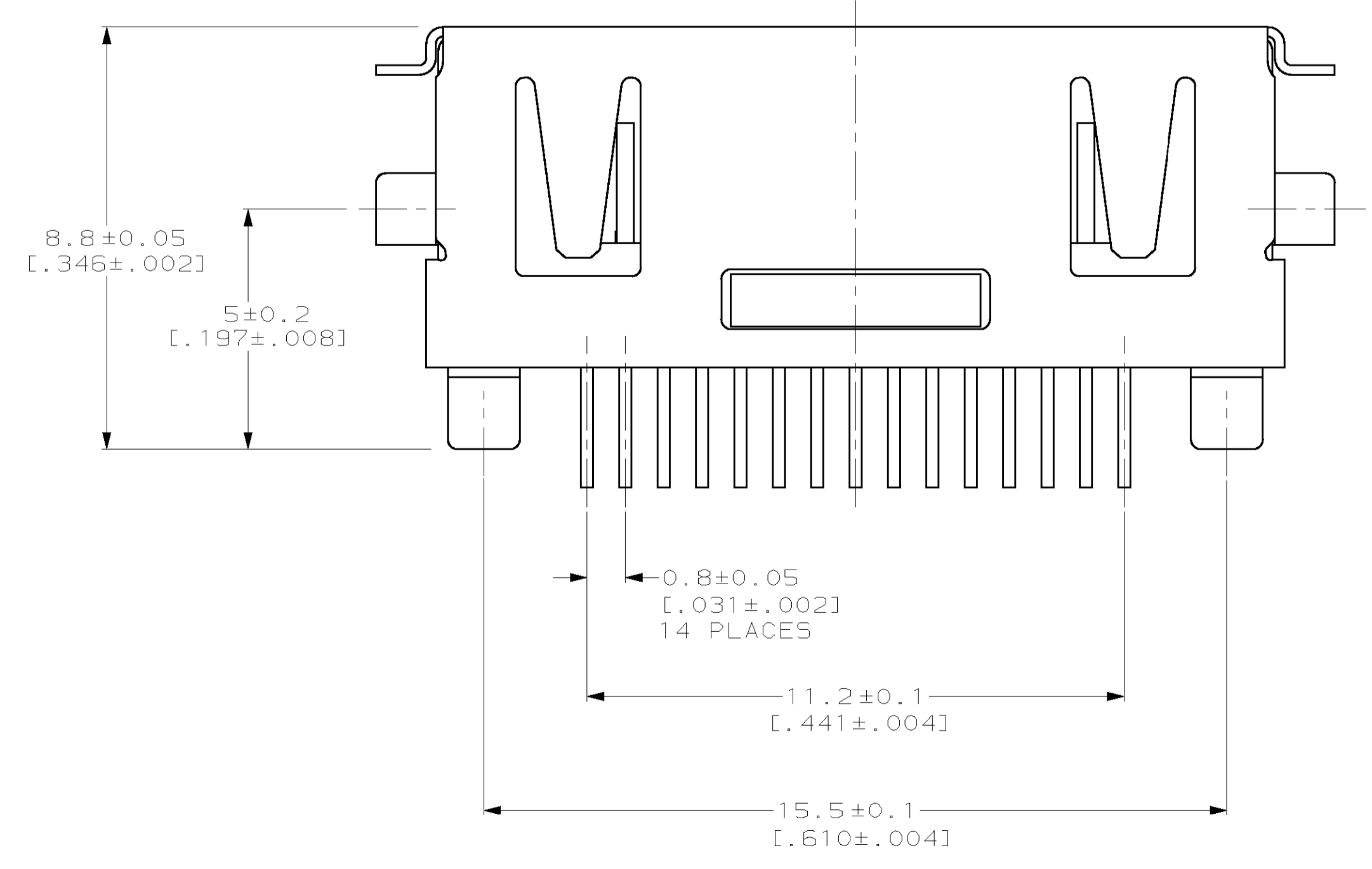
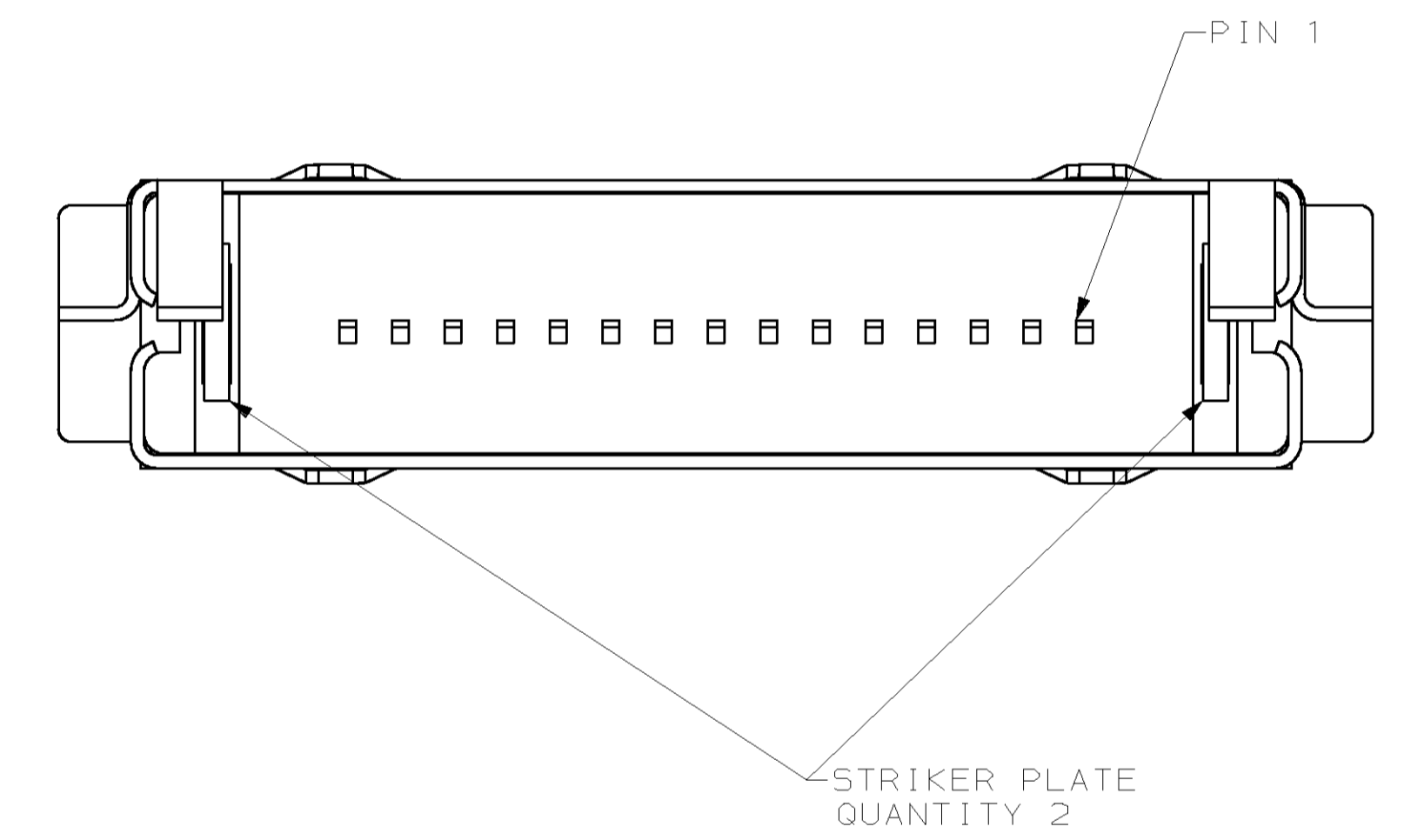
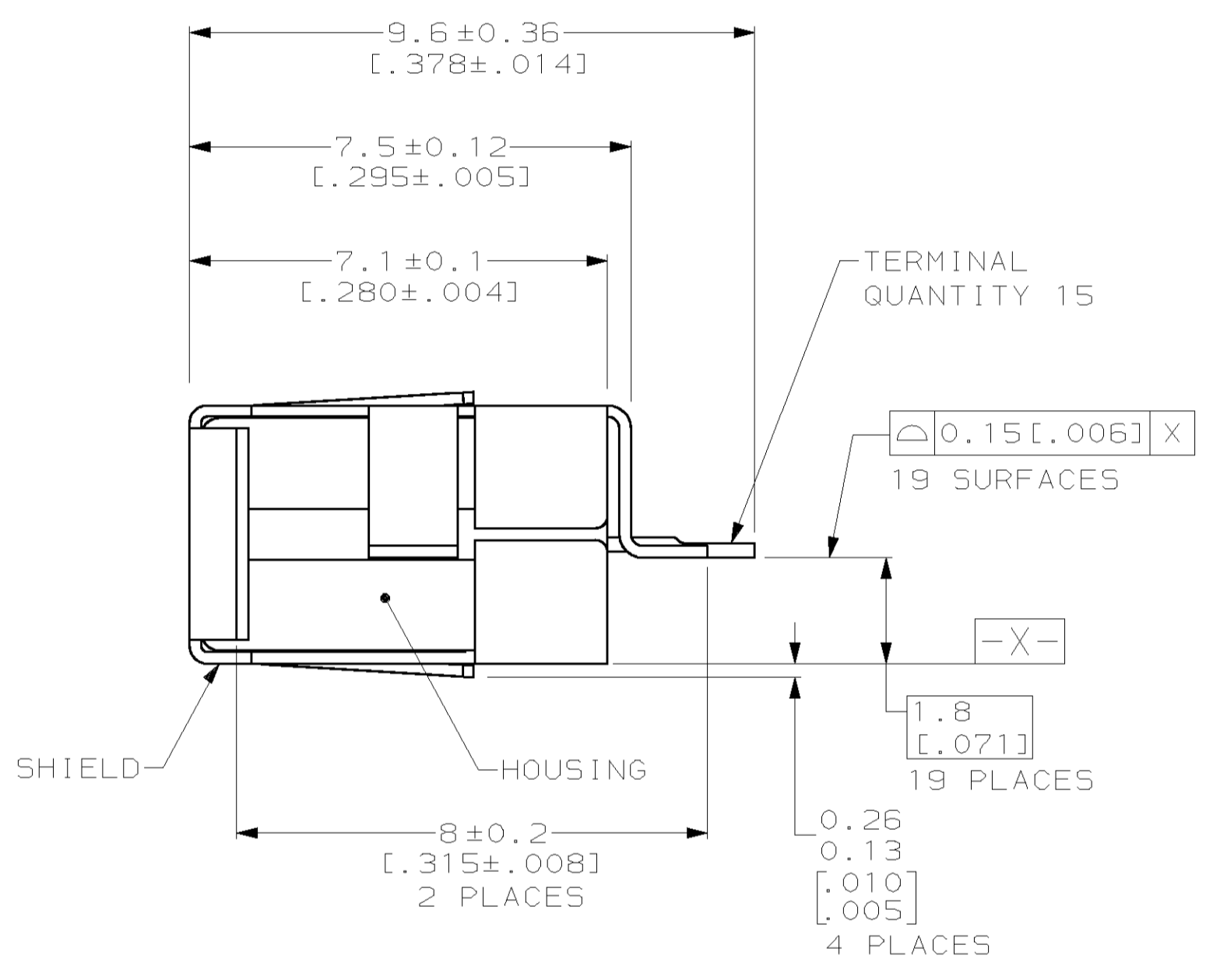
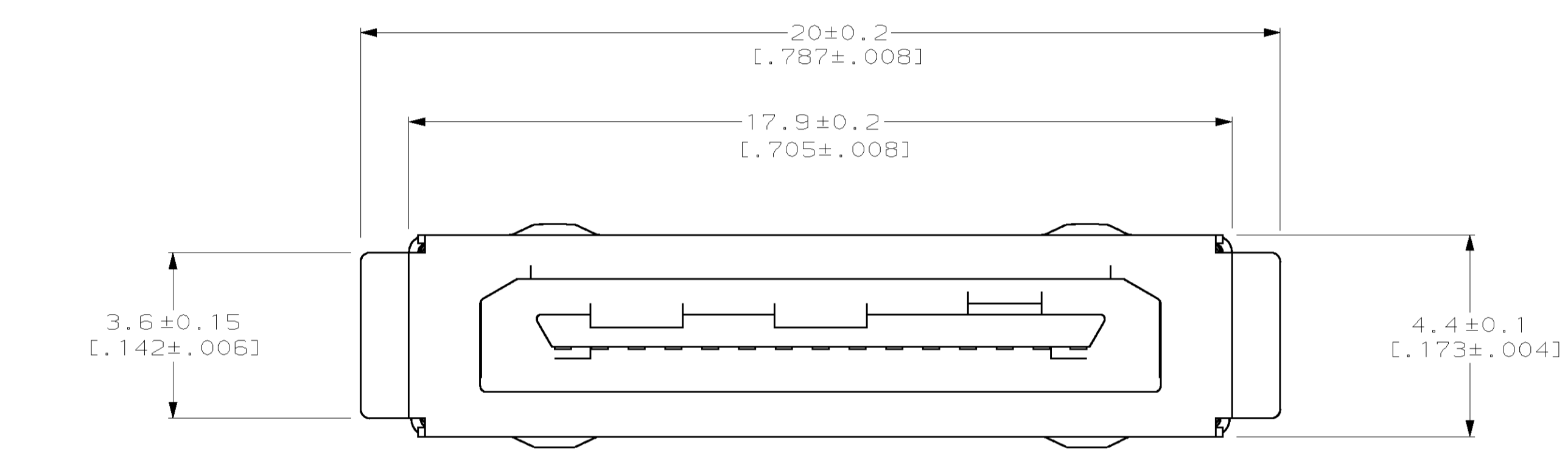
Address: A1208, Overseas Decoration Building, #122 Zhenhua RD., Futian, Shenzhen, China





⚠ MATERIAL: HOUSING - NYLON MOLDING COMPOUND, 94V-0, GLASS FILLED, BLACK. TERMINALS - 0.25(.010) THICK BRASS PLATED WITH 0.254 MICRONS(.000010) MINIMUM THICK GOLD OVER 1.016 MICRONS (.000040) MINIMUM THICK PALADIUM NICKEL OVER 0.05 MICRONS(.000002) MINIMUM THICK GOLD IN CONTACT AREAS AND 3.8 MICRONS(.000150) MINIMUM THICK TIN-LEAD ON SOLDER TINES OVER 2.54 MICRONS(.000100) MINIMUM THICK NICKEL UNDERPLATE. SHIELD - STAINLESS STEEL, TIN-LEAD PLATED STRIKER PLATE- STAINLESS STEEL.

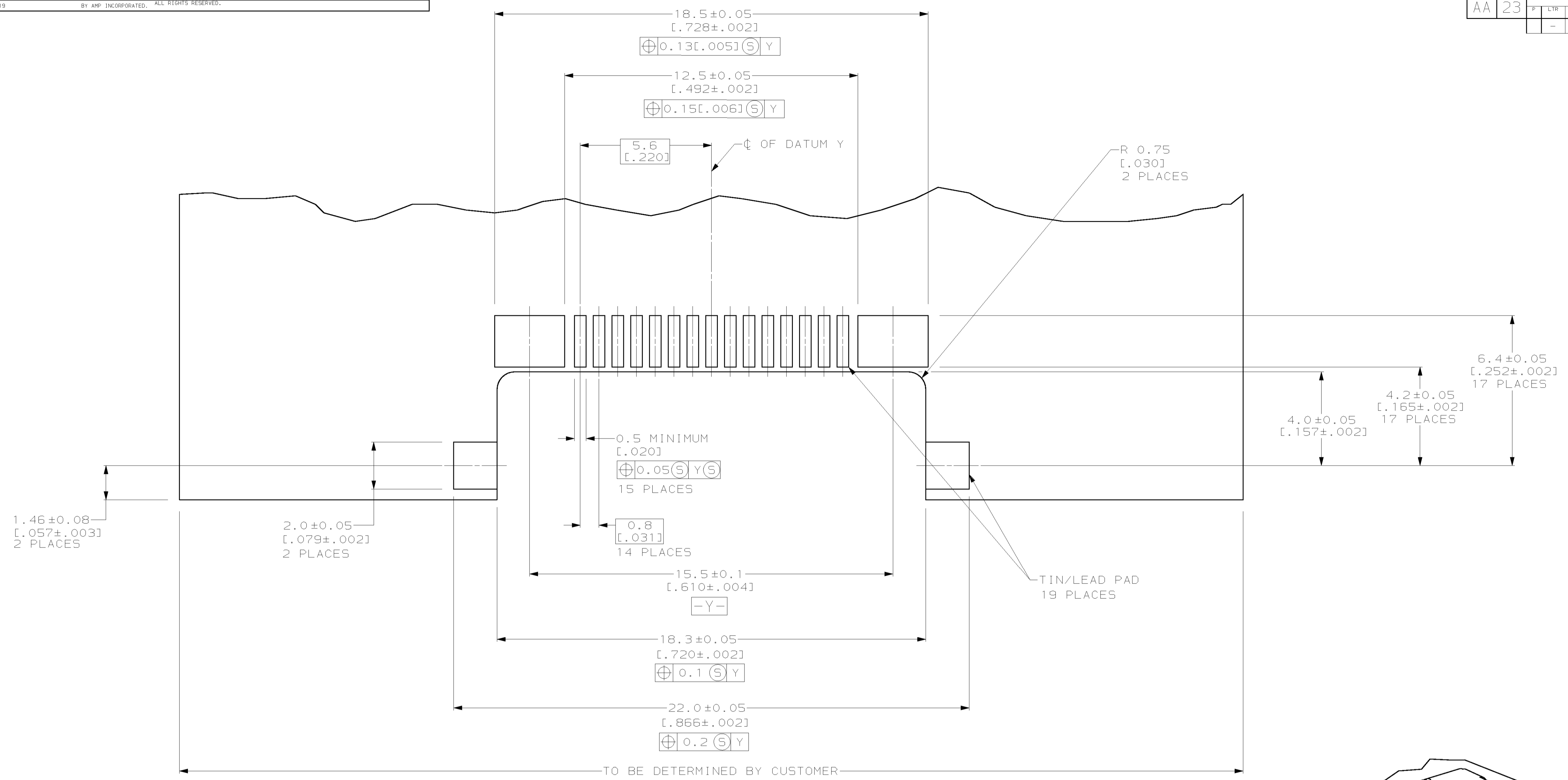
⚠ DIMENSIONS ARE MAXIMUM UNLESS OTHERWISE SPECIFIED.



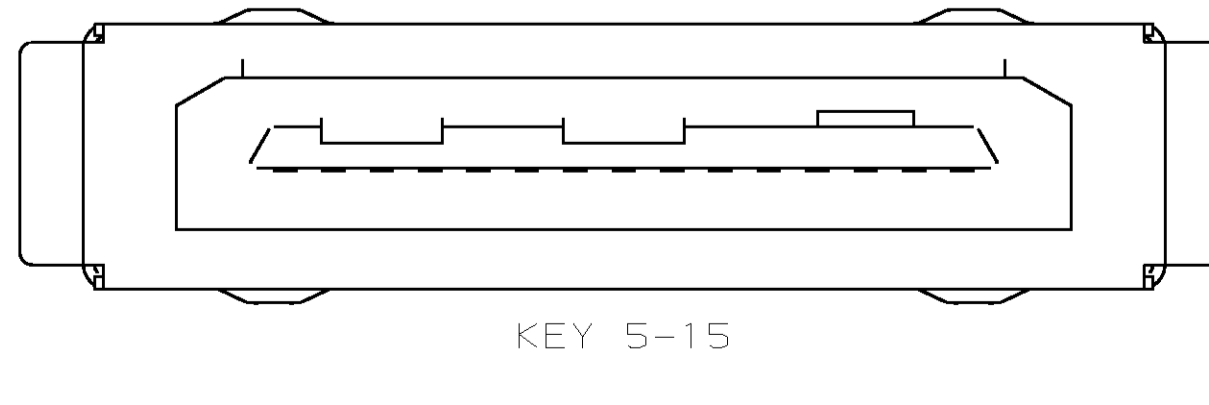
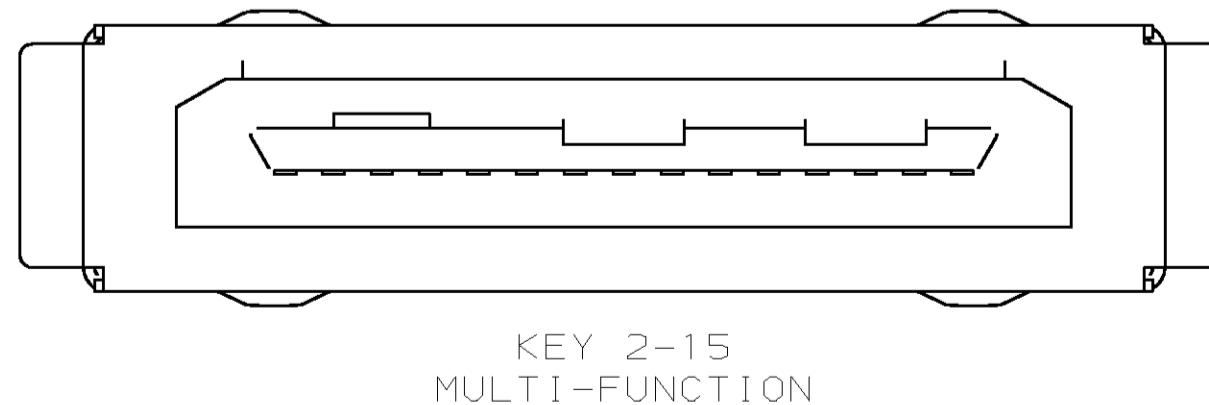
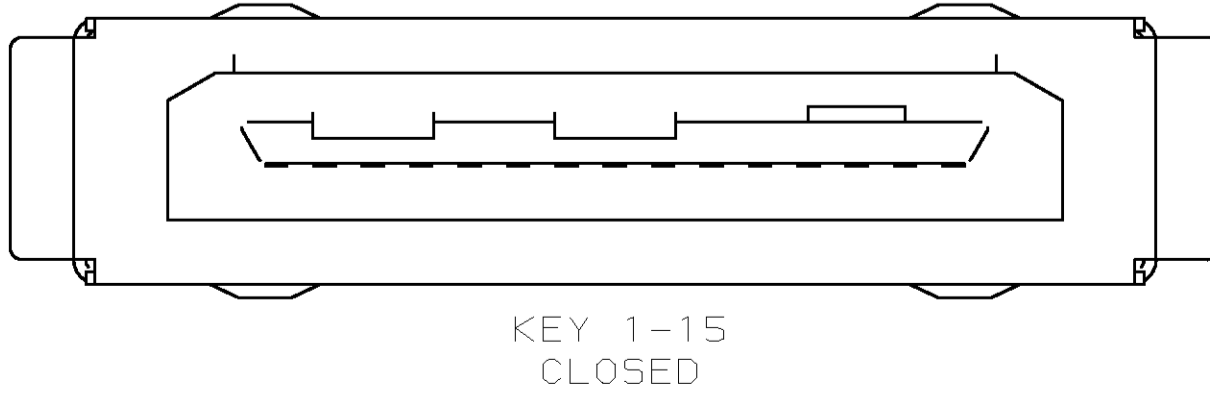
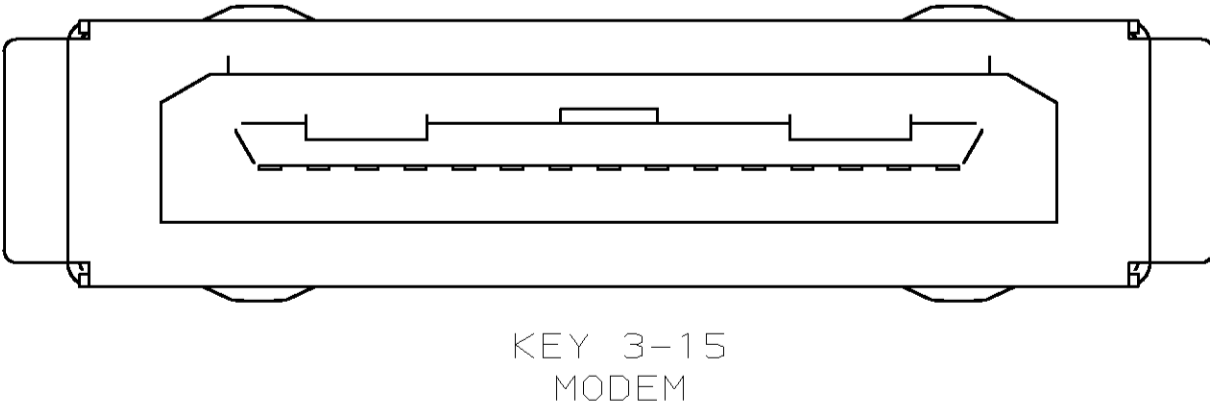
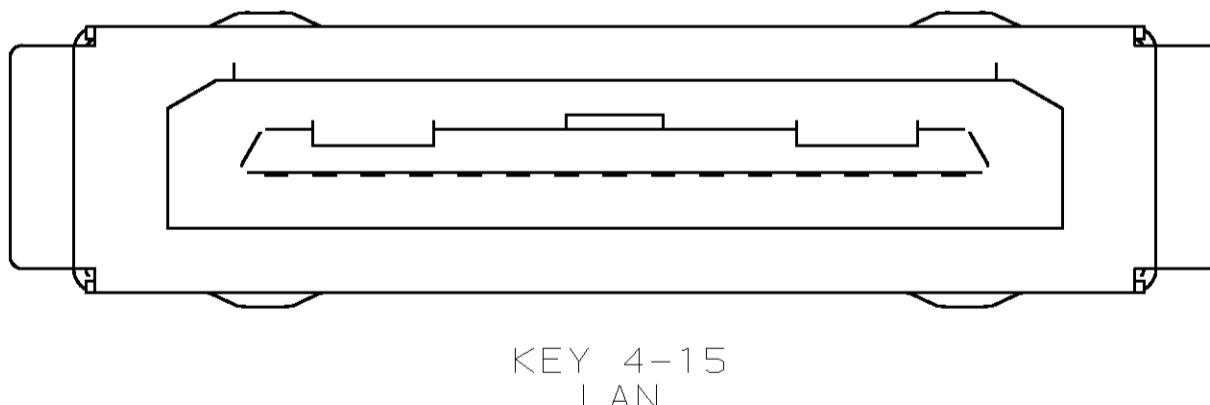
PACKAGING	KEYING OPTION	PART NUMBER
TAPE & REEL	KEY 5-15	5-558556-5
TAPE & REEL	KEY 4-15	5-558556-4
TAPE & REEL	KEY 3-15	5-558556-3
TAPE & REEL	KEY 2-15	5-558556-2
TAPE & REEL	KEY 1-15	5-558556-1
TRAY	KEY 5-15	558556-5
TRAY	KEY 4-15	558556-4
TRAY	KEY 3-15	558556-3
TRAY	KEY 2-15	558556-2
TRAY	KEY 1-15	558556-1

<small>THIS DRAWING IS A CONTROLLED DOCUMENT FOR AMP INCORPORATED. IT IS SUBJECT TO CHANGE AND THE CONTROLLING ENGINEERING ORGANIZATION SHALL BE CONTACTED FOR THE LATEST REVISION.</small>		DWG: R. BURCH/UTA 24 SEPT 96 CHK: N. JONES 11 OCT 96 APVD: J. TRAMMEL 18 OCT 96 NAME:	AMP AMP Incorporated Harrisburg, PA 17105-3608
DIMENSIONS: mm (INCHES)	TOLERANCES UNLESS OTHERWISE SPECIFIED: 0 PLC ± .010 1 PLC ± .010 2 PLC ± .010 3 PLC ± .010 4 PLC ± .010 ANGLES ± .5°	PRODUCT SPEC: - APPLICATION SPEC: - WEIGHT: - CUSTOMER DRAWING	SIZE: A1 CAGE CODE: 00779 DRAWING NO: C-558556 SCALE: 10:1 SHEET: 1 OF 2 REV: C

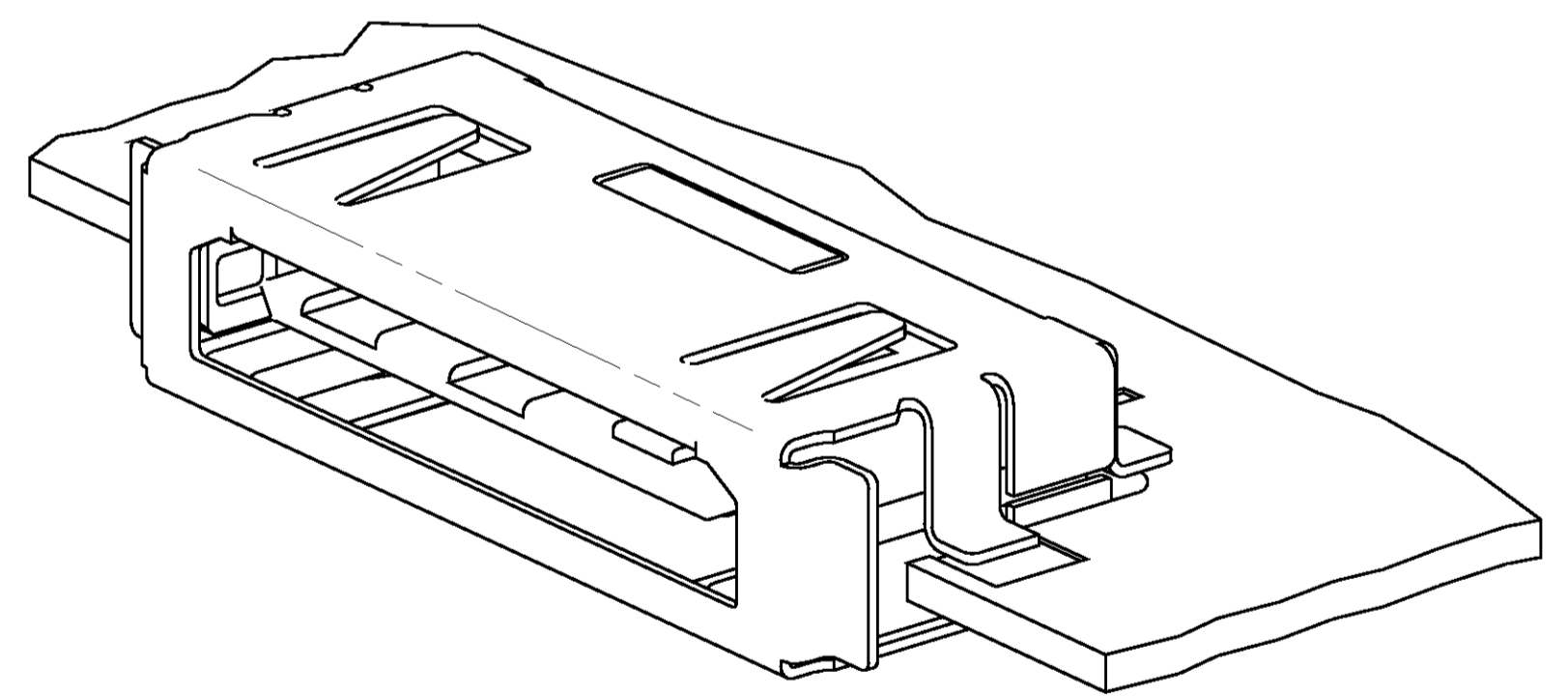
LOC	DIST	REVISIONS			
AA	23	REV	DESCRIPTION	DATE	OWN
		-	SEE SHEET 1	-	-



SUGGESTED PC BOARD MOUNTING DIMENSIONS



KEYING OPTIONS
SCALE 8:1



<small>THIS DRAWING IS A CONTROLLED DOCUMENT FOR AMP INCORPORATED. IT IS SUBJECT TO CHANGE AND THE CONTROLLING ENGINEERING ORGANIZATION SHALL BE CONTACTED FOR THE LATEST REVISION.</small>		DWN: R. BURCH/UTA 24 SEPT 96 CHK: N. JONES 11 OCT 96 APVD: J. TRAMMEL 18 OCT 96	AMP AMP Incorporated Harrisburg, PA 17105-3608
DIMENSIONS: mm [INCHES]	TOLERANCES UNLESS OTHERWISE SPECIFIED: 0 PLC ±. 1 PLC ±. 2 PLC ±. 3 PLC ±. 4 PLC ±. ANGLES ±.	NAME: HEADER ASSEMBLY, SHIELDED, SERIES III INFOPORT™ PRODUCT SPEC: - APPLICATION SPEC: - WEIGHT: -	SIZE: A1 CAGE CODE: 00779 DRAWING NO: C-558556 SCALE: 10:1 SHEET 2 OF 2 REV C
MATERIAL: FINISH:		CUSTOMER DRAWING	