



Chipsmall Limited consists of a professional team with an average of over 10 year of expertise in the distribution of electronic components. Based in Hongkong, we have already established firm and mutual-benefit business relationships with customers from,Europe,America and south Asia,supplying obsolete and hard-to-find components to meet their specific needs.

With the principle of “Quality Parts,Customers Priority,Honest Operation,and Considerate Service”,our business mainly focus on the distribution of electronic components. Line cards we deal with include Microchip,ALPS,ROHM,Xilinx,Pulse,ON,Everlight and Freescale. Main products comprise IC,Modules,Potentiometer,IC Socket,Relay,Connector.Our parts cover such applications as commercial,industrial, and automotives areas.

We are looking forward to setting up business relationship with you and hope to provide you with the best service and solution. Let us make a better world for our industry!



Contact us

Tel: +86-755-8981 8866 Fax: +86-755-8427 6832

Email & Skype: info@chipsmall.com Web: www.chipsmall.com

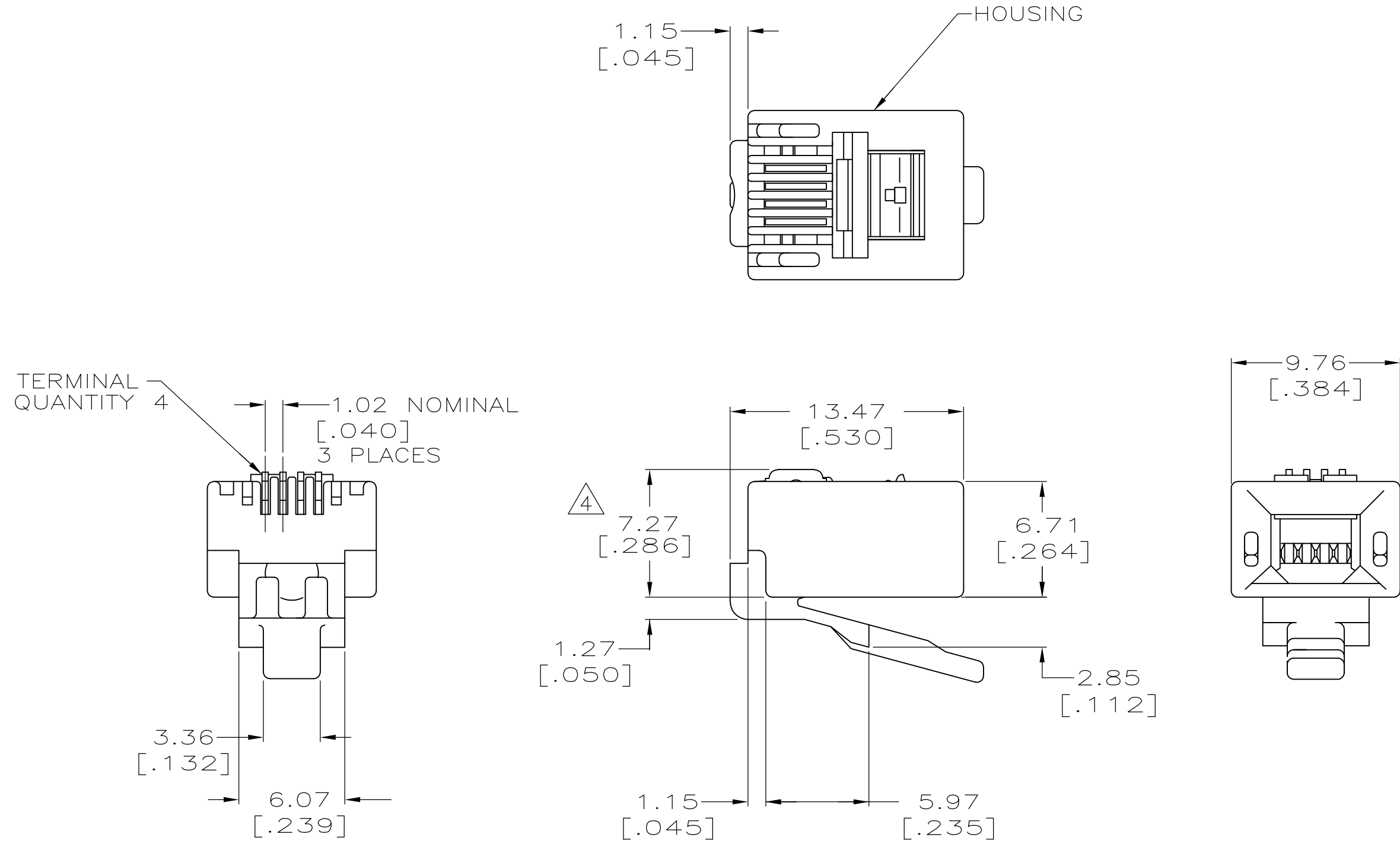
Address: A1208, Overseas Decoration Building, #122 Zhenhua RD., Futian, Shenzhen, China



THIS DRAWING IS UNPUBLISHED. RELEASED FOR PUBLICATION
 © COPYRIGHT - By - ALL RIGHTS RESERVED.

LOC	DIST	REVISIONS					
HM	00	P	LTR	DESCRIPTION	DATE	DWN	APVD
		C		REV ECO-12-012703	12JUL12	JB	JB

- ① DIMENSIONS ARE MAXIMUM UNLESS OTHERWISE SPECIFIED.
- ② MATERIAL: HOUSING-POLYCARBONATE,CLEAR. TERMINAL-0.36[.014] THICK PHOSPHOR BRONZE PLATED WITH 1.27μm[.000050] MINIMUM THICK GOLD IN LOCALIZED GOLD PLATE AREA OVER 2.54 μm[.000100] MINIMUM THICK NICKEL UNDERPLATE.
- 3. PLUG WILL ACCEPT 24 OR 26 AWG SOLID WIRE HAVING A MAXIMUM INSULATION DIAMETER OF 0.99[.039] AND A MAXIMUM DIAMETER ROUND CABLE JACKET OF 2.79 [.110].
- ④ TERMINATED DIMENSION 6.15[.242] MAXIMUM.
- ⑥ 100 ASSEMBLIES PER PACKAGE.



⑥	5-569030-3
PACKAGED	PART NO.

THIS DRAWING IS A CONTROLLED DOCUMENT.		DWN	L. HALL	29FEB2008		TE Connectivity							
DIMENSIONS: INCHES		CHK	B. MCNEILL	29FEB2008		NAME							
TOLERANCES UNLESS OTHERWISE SPECIFIED:		APVD	B. MCNEILL	29FEB2008		PRODUCT SPEC							
0 PLC ± - ① 1 PLC ± - ① 2 PLC ± - ① 3 PLC ± - ① 4 PLC ± - ① ANGLES ± - FINISH - ②		APPLICATION SPEC		108-1163		MODULAR PLUG ASSEMBLY, 4 POSITION, ROUND CABLE, SOLID WIRE							
MATERIAL - ②		WEIGHT -		114-6016		SIZE	A2	CAGE CODE	00779	DRAWING NO	C=569030	RESTRICTED TO	-
CUSTOMER DRAWING		SCALE		4:1		SHEET	1 of 1		REV	C			