



Chipsmall Limited consists of a professional team with an average of over 10 year of expertise in the distribution of electronic components. Based in Hongkong, we have already established firm and mutual-benefit business relationships with customers from,Europe,America and south Asia,supplying obsolete and hard-to-find components to meet their specific needs.

With the principle of “Quality Parts,Customers Priority,Honest Operation,and Considerate Service”,our business mainly focus on the distribution of electronic components. Line cards we deal with include Microchip,ALPS,ROHM,Xilinx,Pulse,ON,Everlight and Freescale. Main products comprise IC,Modules,Potentiometer,IC Socket,Relay,Connector.Our parts cover such applications as commercial,industrial, and automotives areas.

We are looking forward to setting up business relationship with you and hope to provide you with the best service and solution. Let us make a better world for our industry!



## Contact us

Tel: +86-755-8981 8866 Fax: +86-755-8427 6832

Email & Skype: info@chipsmall.com Web: www.chipsmall.com

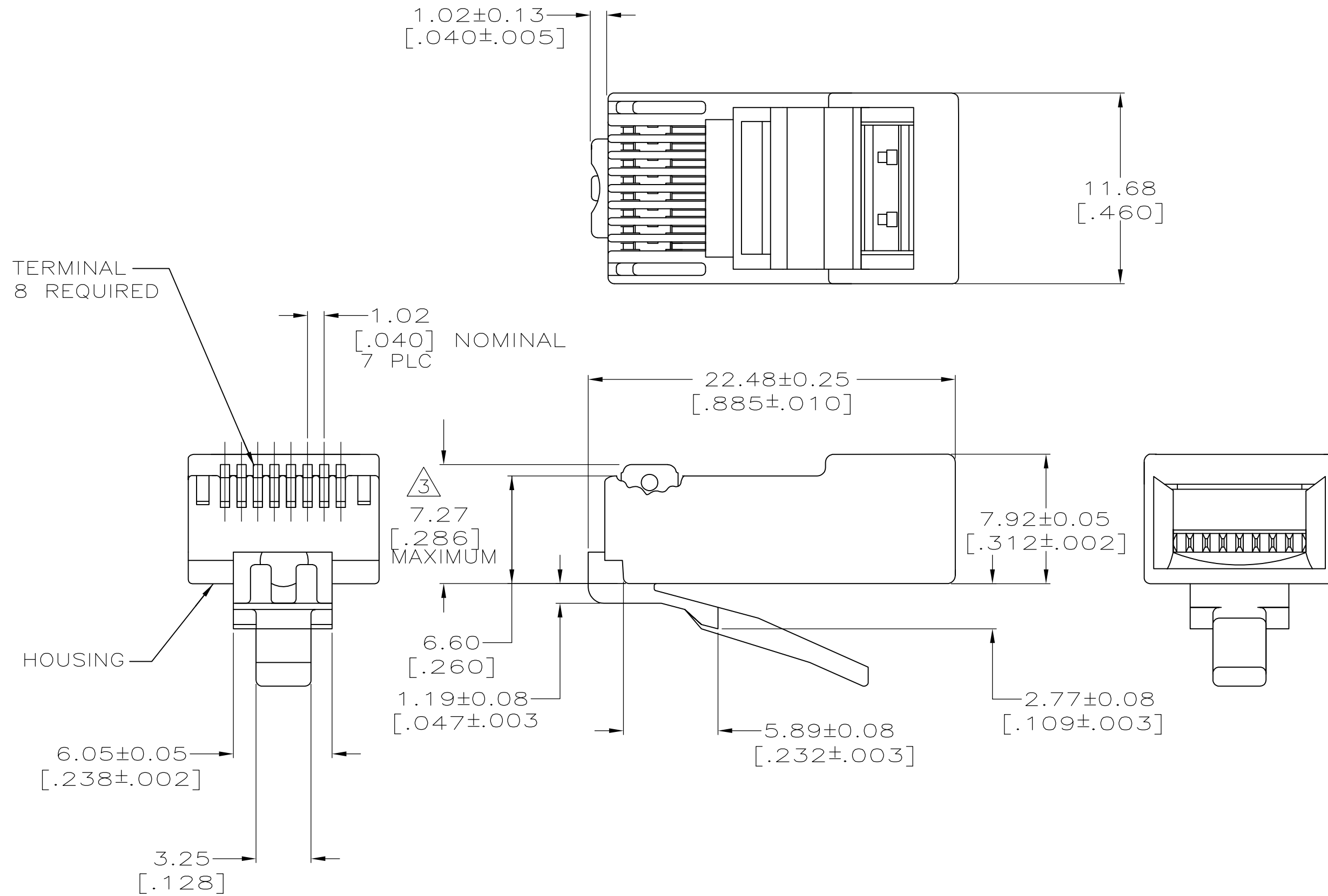
Address: A1208, Overseas Decoration Building, #122 Zhenhua RD., Futian, Shenzhen, China



THIS DRAWING IS UNPUBLISHED. RELEASED FOR PUBLICATION  
 © COPYRIGHT - By - ALL RIGHTS RESERVED.

LOC		DIST		REVISIONS			
P	LTR	DESCRIPTION		DATE	DWN	APVD	
HM	00	B		REV; ECO-12-012703	13JUL2012	GG	JG

- 1 MATERIAL: HOUSING- POLYCARBONATE, CLEAR  
 TERMINAL- PHOSPHOR BRONZE, PLATED WITH  
 1.27µm [.000050] MINIMUM THICK GOLD IN  
 LOCALIZED GOLD PLATE AREA OVER 2.54µm [.000100]  
 MINIMUM THICK NICKEL UNDERPLATE.
- 2. PLUG WILL ACCEPT 24 OR 26 AWG SOLID  
 WIRE, 0.74-0.99 [.029-.039] DIAMETER.  
 CABLE JACKET OUTSIDE DIAMETER 5.08 [.200]  
 MAXIMUM.
- 3 TERMINATED DIMENSION 6.15 [.242] MAXIMUM.
- 5 500 ASSEMBLIES PER PACKAGE.



5	5-569215-2
PACKAGED	PART NO.

THIS DRAWING IS A CONTROLLED DOCUMENT.		DWN	B.SIMPSON	3-03-95		TE Connectivity		
DIMENSIONS: mm [INCHES]		CHK	C. WHITT	3-16-95		NAME		
TOLERANCES UNLESS OTHERWISE SPECIFIED:		APVD	E. LAURER	3-23-95		MODULAR PLUG ASSEMBLY, 8 POSITION, SMALL OPENING, ROUND CABLE, SOLID WIRE		
0 PLC ± -		PRODUCT SPEC	108-1163	SIZE		CAGE CODE	DRAWING NO	RESTRICTED TO
1 PLC ± -		APPLICATION SPEC	114-6016	A2	00779	C=569215	-	
2 PLC ± -		MATERIAL	△	WEIGHT	-	SCALE	4:1	
3 PLC ± 0.10[.004]		FINISH	△	CUSTOMER DRAWING	SHEET		1 OF 1	
4 PLC ± -							REV	B
ANGLES ± -								