



Chipsmall Limited consists of a professional team with an average of over 10 year of expertise in the distribution of electronic components. Based in Hongkong, we have already established firm and mutual-benefit business relationships with customers from,Europe,America and south Asia,supplying obsolete and hard-to-find components to meet their specific needs.

With the principle of “Quality Parts,Customers Priority,Honest Operation,and Considerate Service”,our business mainly focus on the distribution of electronic components. Line cards we deal with include Microchip,ALPS,ROHM,Xilinx,Pulse,ON,Everlight and Freescale. Main products comprise IC,Modules,Potentiometer,IC Socket,Relay,Connector.Our parts cover such applications as commercial,industrial, and automotives areas.

We are looking forward to setting up business relationship with you and hope to provide you with the best service and solution. Let us make a better world for our industry!



Contact us

Tel: +86-755-8981 8866 Fax: +86-755-8427 6832

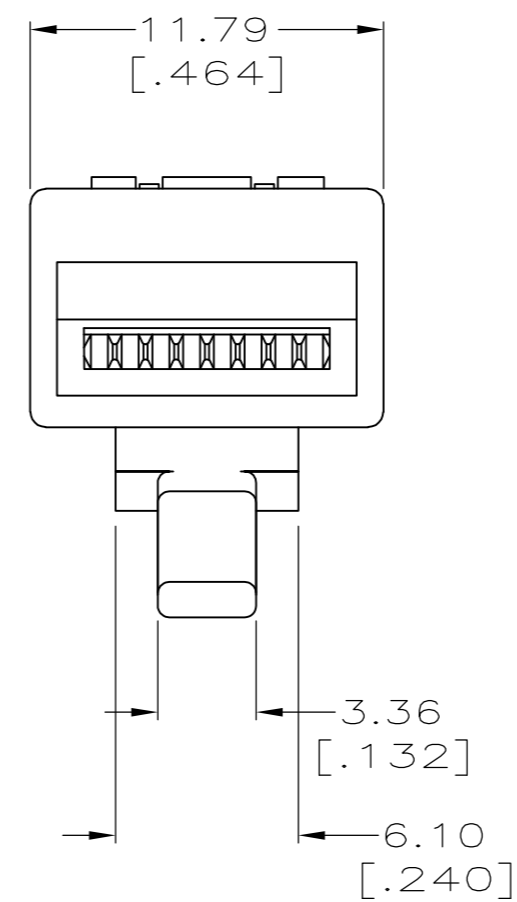
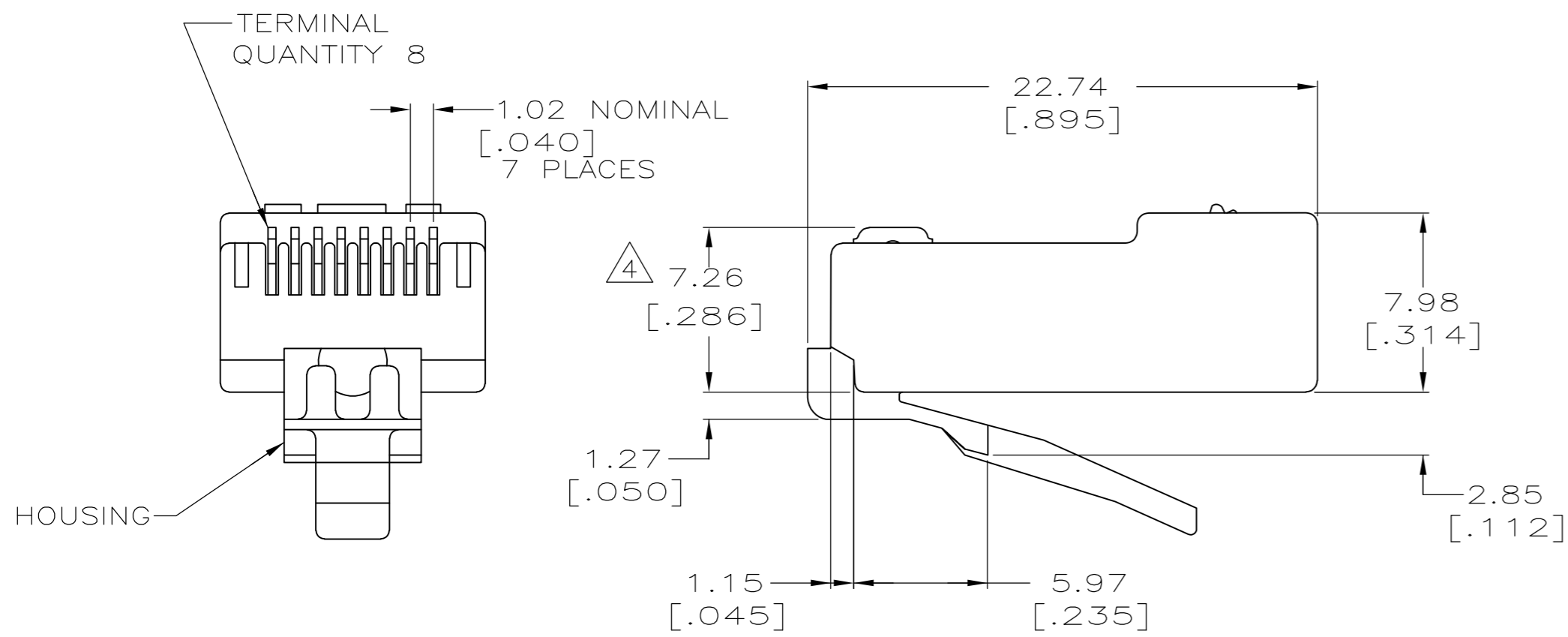
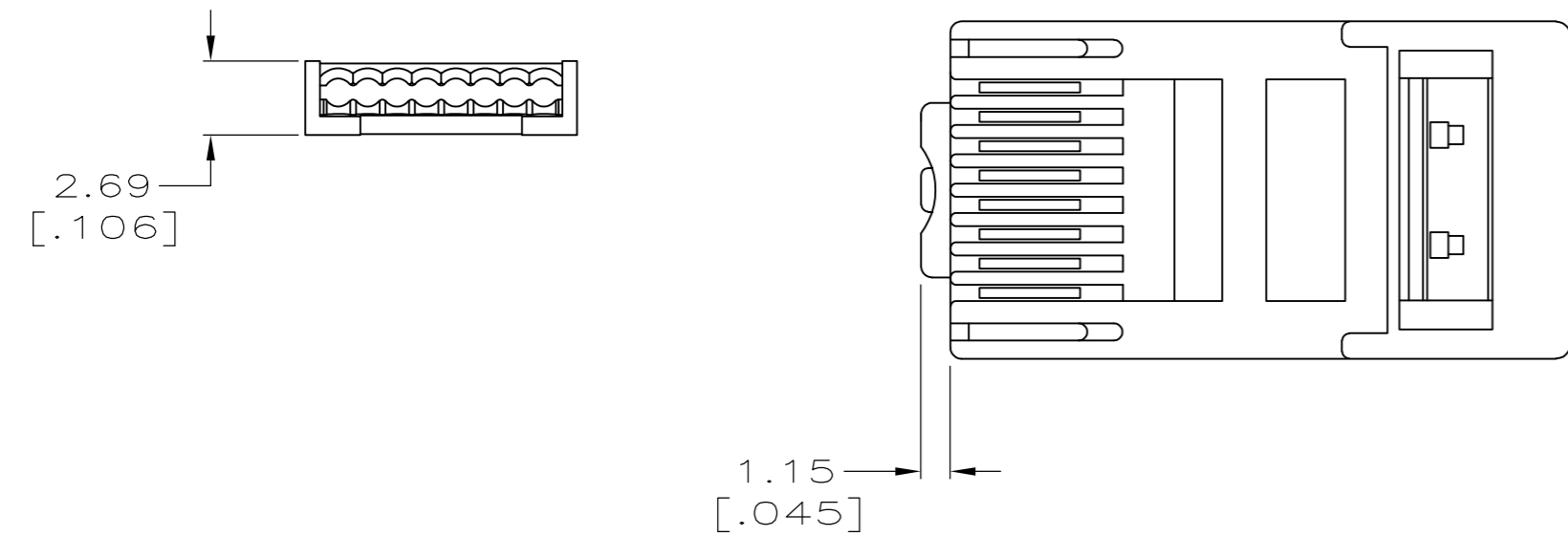
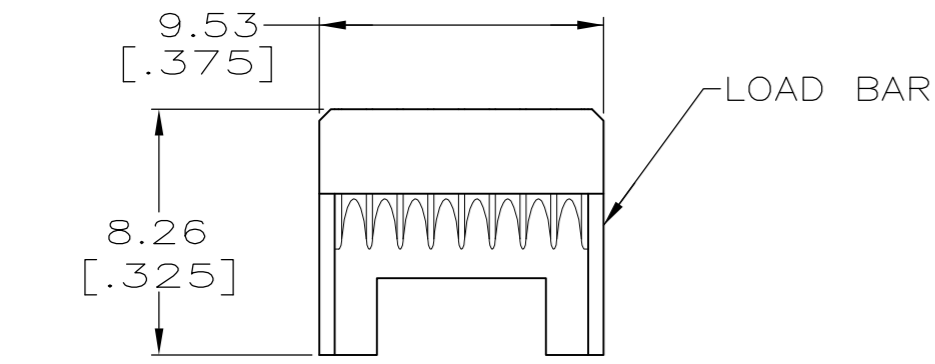
Email & Skype: info@chipsmall.com Web: www.chipsmall.com

Address: A1208, Overseas Decoration Building, #122 Zhenhua RD., Futian, Shenzhen, China



THIS DRAWING IS UNPUBLISHED. RELEASED FOR PUBLICATION
 © COPYRIGHT - By - ALL RIGHTS RESERVED.

LOC		DIST		REVISIONS			
P	LTR	DESCRIPTION		DATE	DWN	APVD	
HM	00	F		REVISED PER ECO-12-012703	13JUL2012	GG	JG



1 MATERIAL:
 HOUSING - 94V-0 RATED POLYCARBONATE, CLEAR.
 TERMINAL - 0.36[.014] THICK PHOSPHOR BRONZE PLATED WITH 1.27 μ m[.000050] MINIMUM THICK GOLD IN LOCALIZED AREA OVER 2.54 μ m[.000100] MINIMUM THICK NICKEL UNDERPLATE.
 LOAD BAR - PBT POLYESTER, BLACK.

2 DIMENSIONS ARE MAXIMUM UNLESS OTHERWISE SPECIFIED.

3. PLUG WILL ACCEPT A 24,26 OR 28 AWG SOLID CONDUCTOR, PROVIDED THE INSULATED CONDUCTOR DIAMETER IS 0.89[.035] TO 0.99[.039]; WITH AN UNSHIELDED, PLIABLE, LOOSE CABLE JACKET OF 4.83[.190] TO 5.59[.220] DIAMETER OR AN UNSHIELDED, RIGID, HARD CABLE JACKET OF 4.83[.190] TO 5.08[.200] DIAMETER.

4 TERMINATED DIMENSION 6.15[.242] MAXIMUM.

5 500 ASSEMBLIES AND 500 LOAD BARS PER PACKAGE.

6 100 ASSEMBLIES AND 100 LOAD BARS PER PACKAGE.

8 10,000 ASSEMBLIES AND 10,000 LOAD BARS PER PACKAGE.

9. UL RECOGNIZED: FILE NUMBER E81956.

6	5-569278-3
5	5-569278-2
8	5-569278-1
PACKAGED	PART NUMBER

THIS DRAWING IS A CONTROLLED DOCUMENT.		DWN	5-22-95	TE Connectivity	
DIMENSIONS: mm		DL DRUMMOND	5-22-95		
TOLERANCES UNLESS OTHERWISE SPECIFIED:		CHK	5-22-95		
0 PLC ± -		D. AHERON	5-22-95	NAME	
1 PLC ± -		APVD	5-22-95	E. LAURER	
2 PLC ± -		PRODUCT SPEC		MODULAR PLUG ASSEMBLY, 8 POSITION, ROUND CABLE, SOLID WIRE	
3 PLC ± -		APPLICATION SPEC		-	
4 PLC ± -		WEIGHT	-	SIZE	RESTRICTED TO
ANGLES ± -		CUSTOMER DRAWING		A2	00779
FINISH				C=569278	SCALE 4:1
					SHEET 1 of 1
					REV F