



Chipsmall Limited consists of a professional team with an average of over 10 year of expertise in the distribution of electronic components. Based in Hongkong, we have already established firm and mutual-benefit business relationships with customers from,Europe,America and south Asia,supplying obsolete and hard-to-find components to meet their specific needs.

With the principle of "Quality Parts,Customers Priority,Honest Operation,and Considerate Service",our business mainly focus on the distribution of electronic components. Line cards we deal with include Microchip,ALPS,ROHM,Xilinx,Pulse,ON,Everlight and Freescale. Main products comprise IC,Modules,Potentiometer,IC Socket,Relay,Connector.Our parts cover such applications as commercial,industrial, and automotives areas.

We are looking forward to setting up business relationship with you and hope to provide you with the best service and solution. Let us make a better world for our industry!



Contact us

Tel: +86-755-8981 8866 Fax: +86-755-8427 6832

Email & Skype: info@chipsmall.com Web: www.chipsmall.com

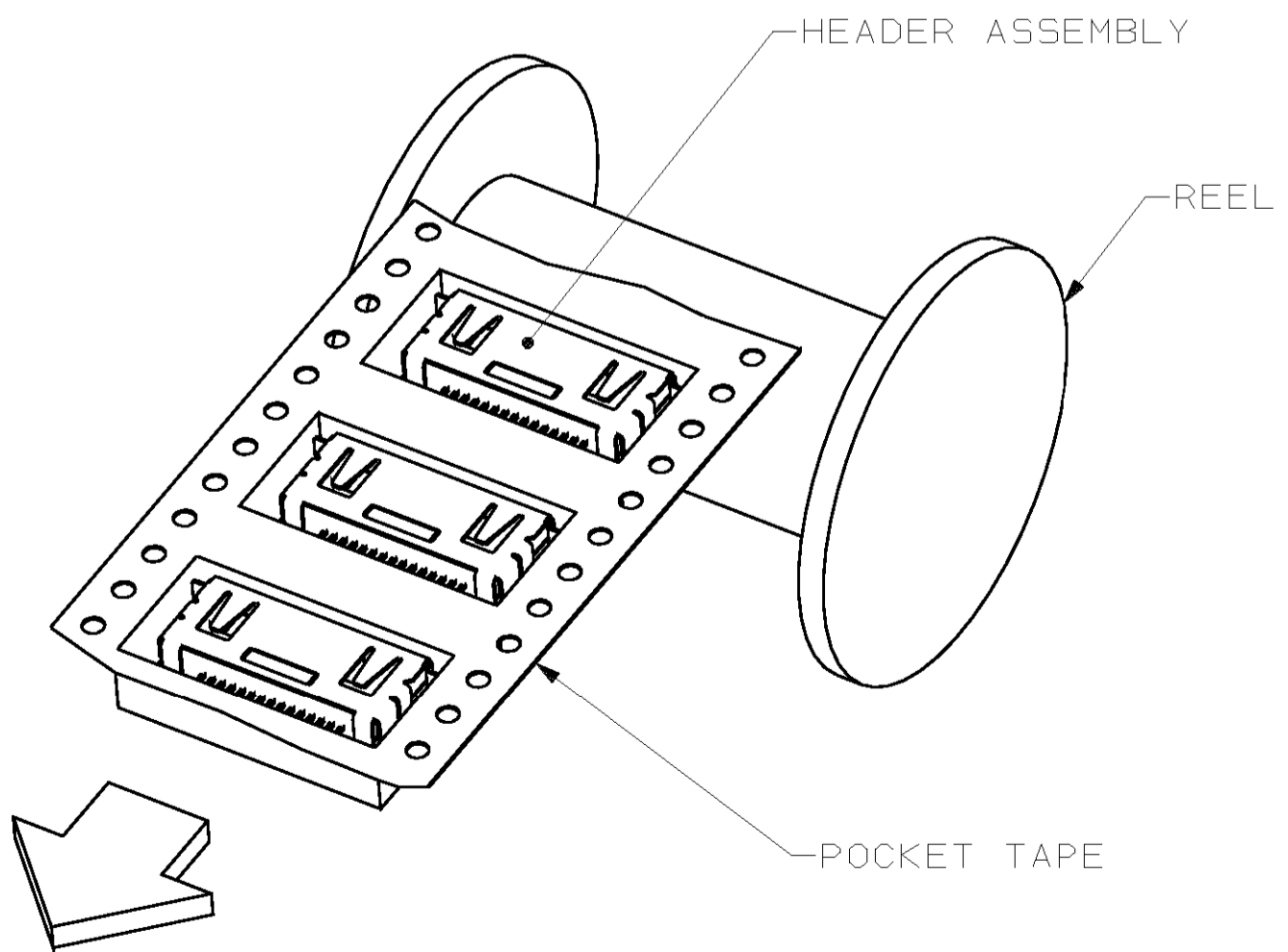
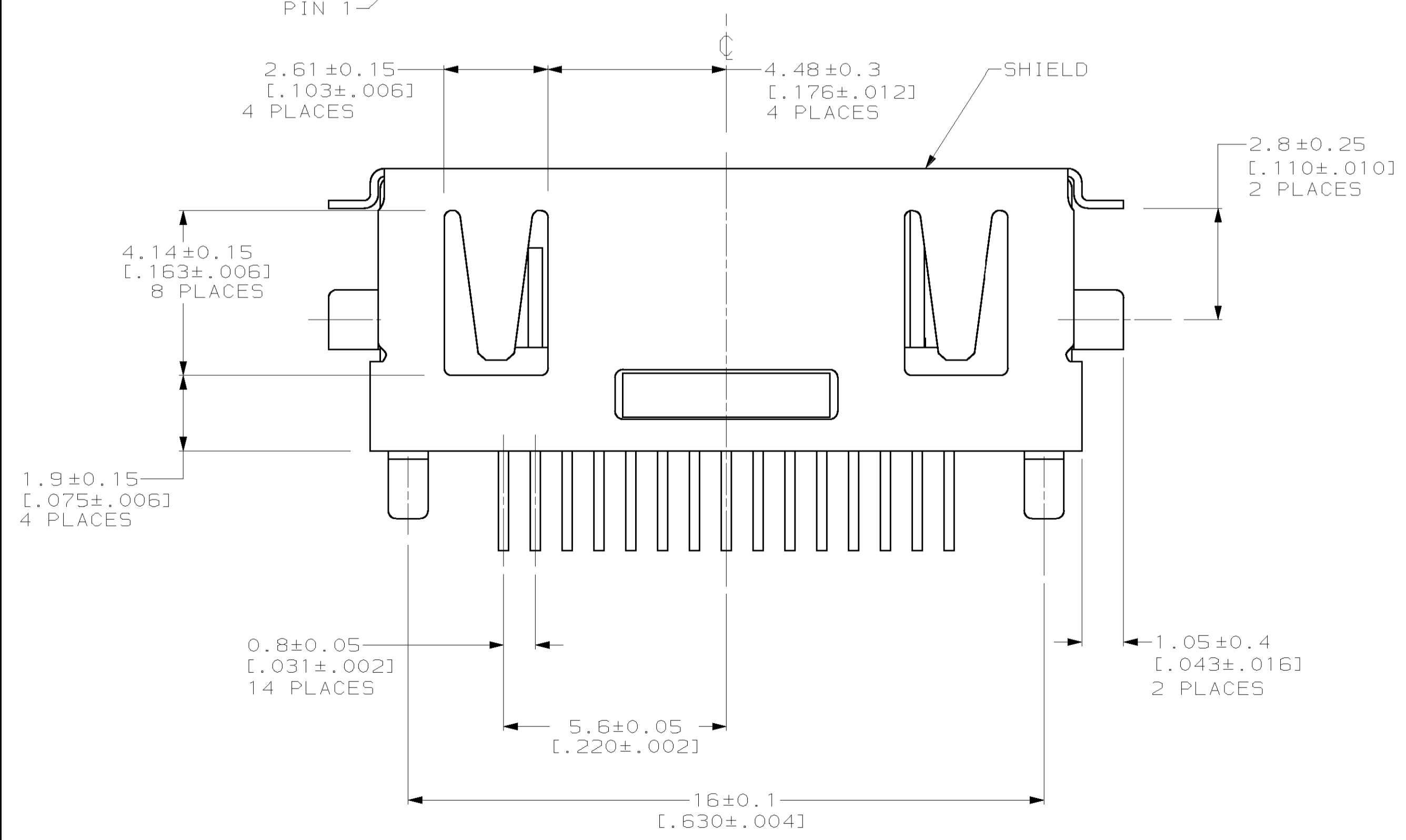
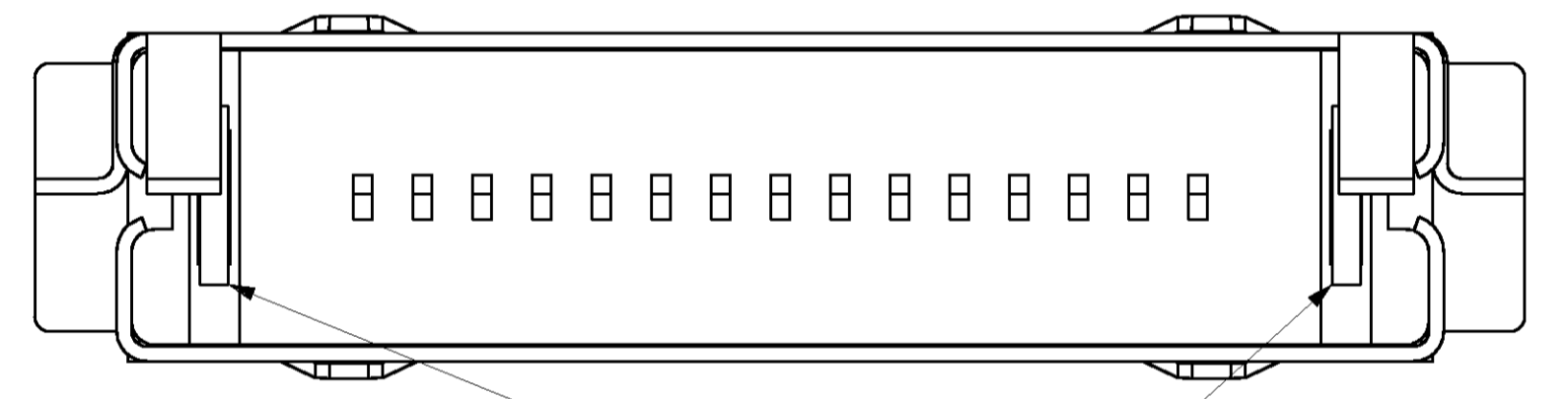
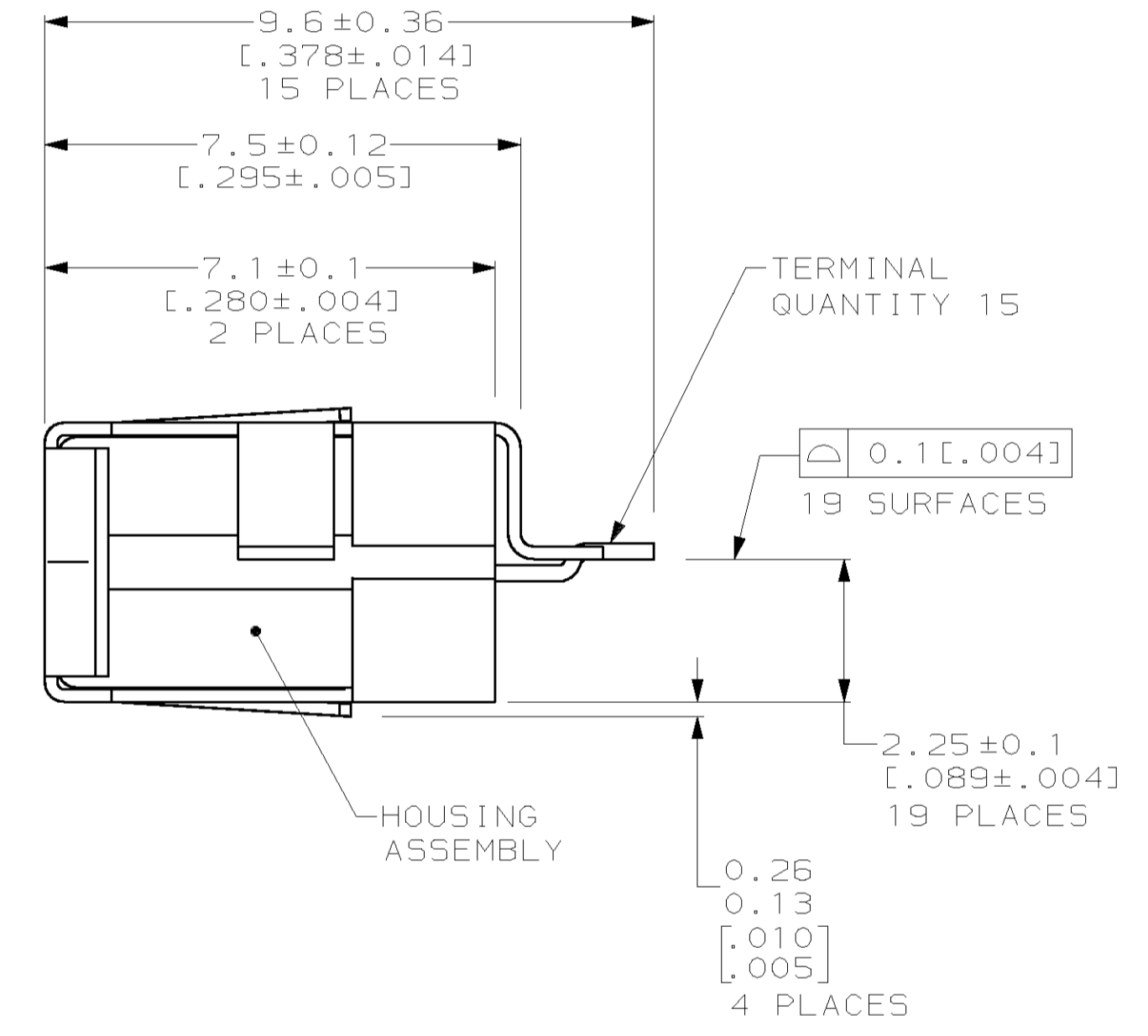
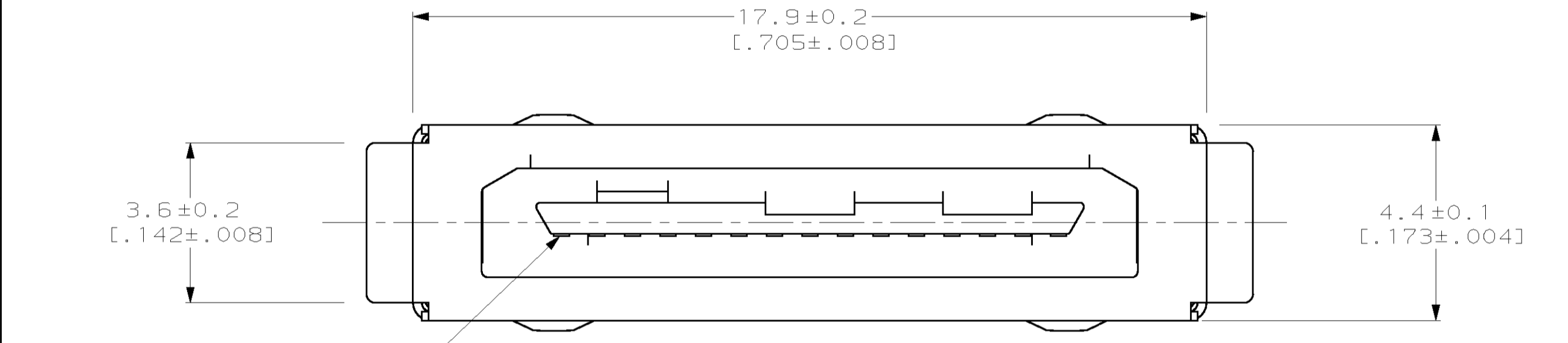
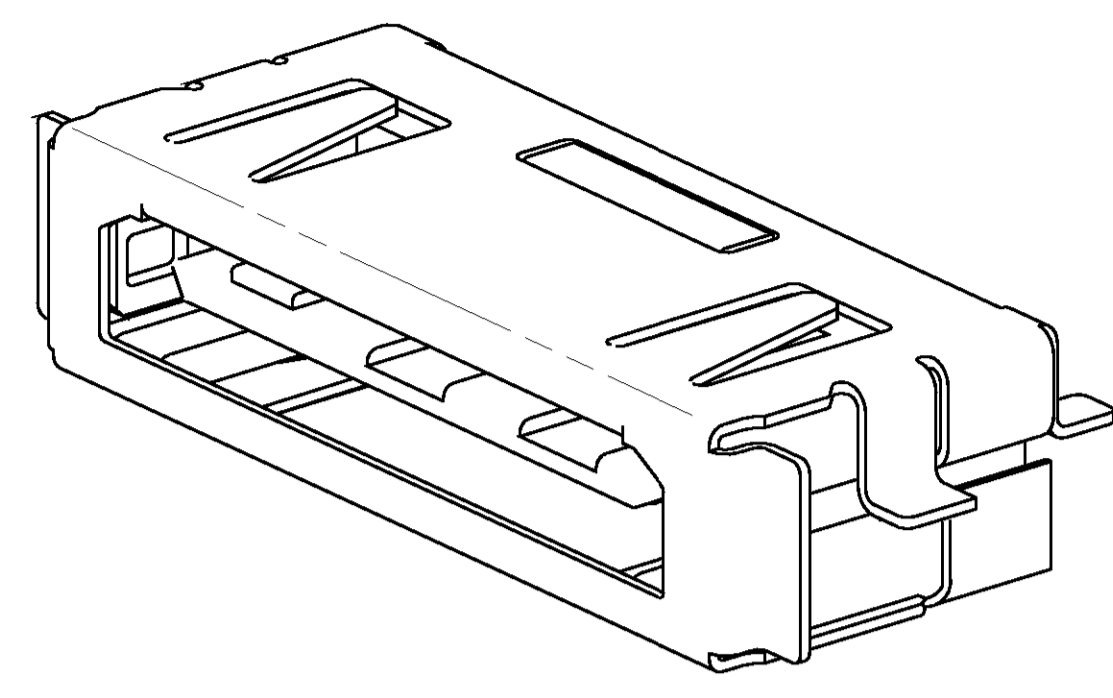
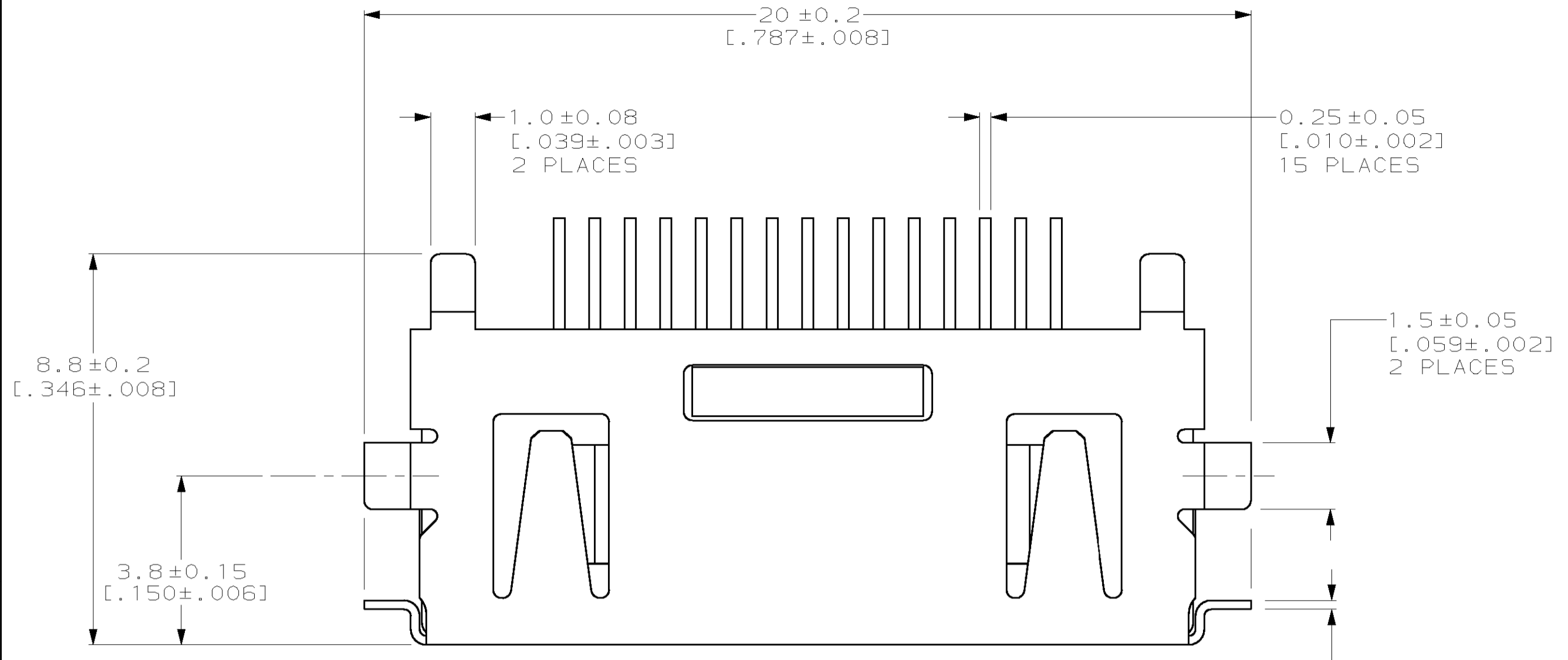
Address: A1208, Overseas Decoration Building, #122 Zhenhua RD., Futian, Shenzhen, China



LOC	DIST	REV	DATE	BY	APPV
AA	23	C	07OCT99	DD	MP

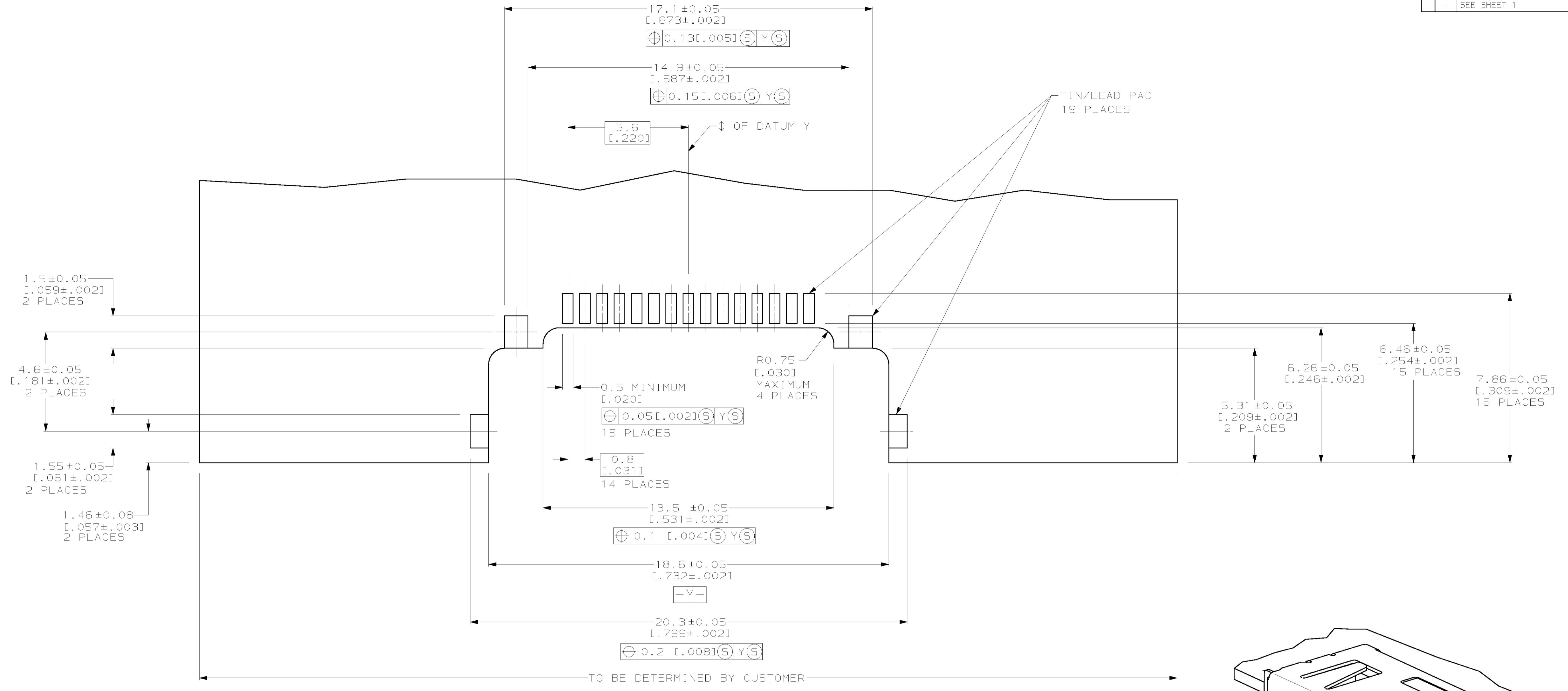
REVISIONS

△ MATERIAL: HOUSING - NYLON MOLDING COMPOUND, 94V-0, GLASS FILLED, BLACK.
 TERMINALS - 0.25[.010] THICK BRASS PLATED WITH 0.254 MICRONS[.000010] MINIMUM THICK GOLD OVER 1.016 MICRONS [.000040] MINIMUM THICK PALADIUM NICKEL OVER 0.05 MICRONS[.000002] MINIMUM THICK GOLD IN CONTACT AREAS AND 3.8 MICRONS[.000150] MINIMUM THICK TIN-LEAD ON SOLDER TINES OVER 2.54 MICRONS[.000100] MINIMUM THICK NICKEL UNDERPLATE.
 SHIELD - STAINLESS STEEL, TIN-LEAD PLATED
 STRIKER PLATE - STAINLESS STEEL.

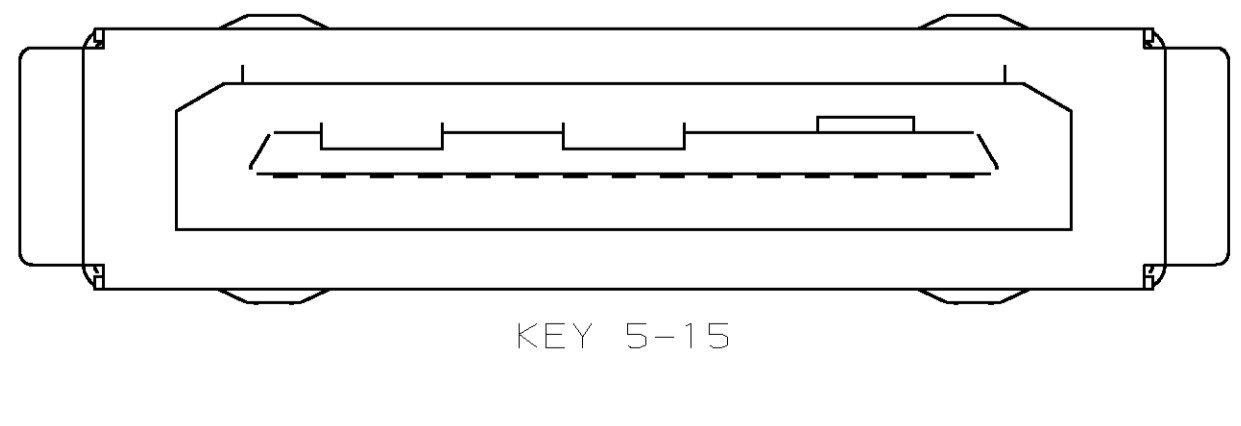
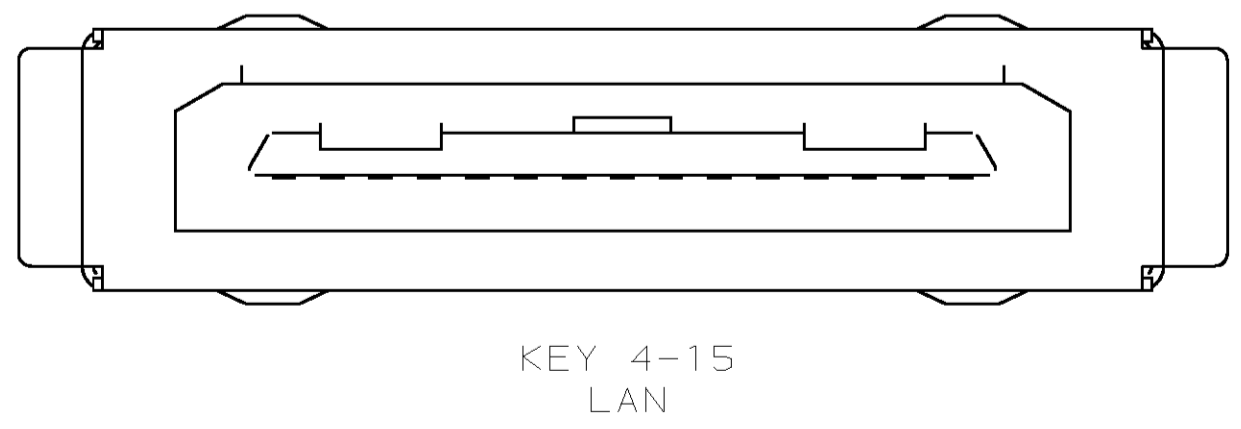
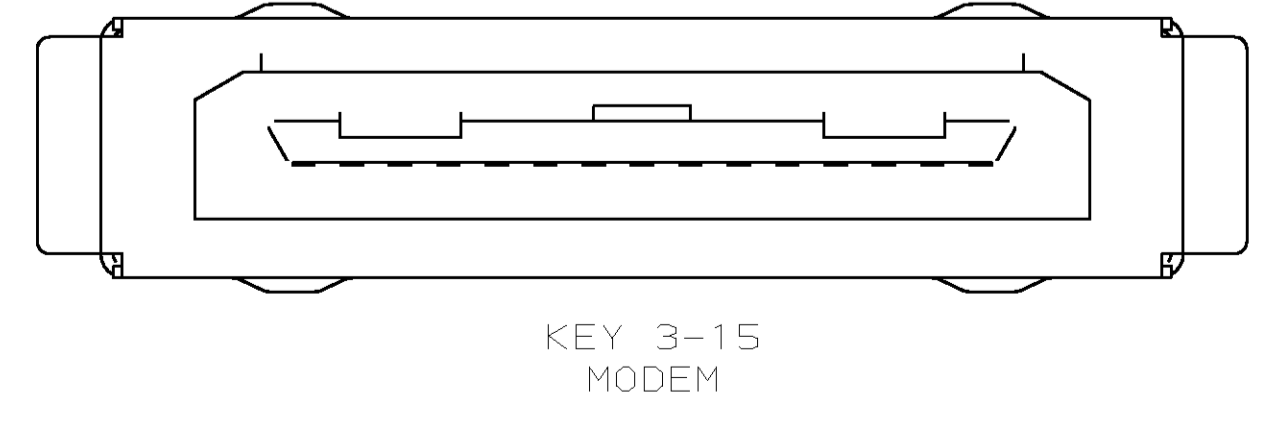
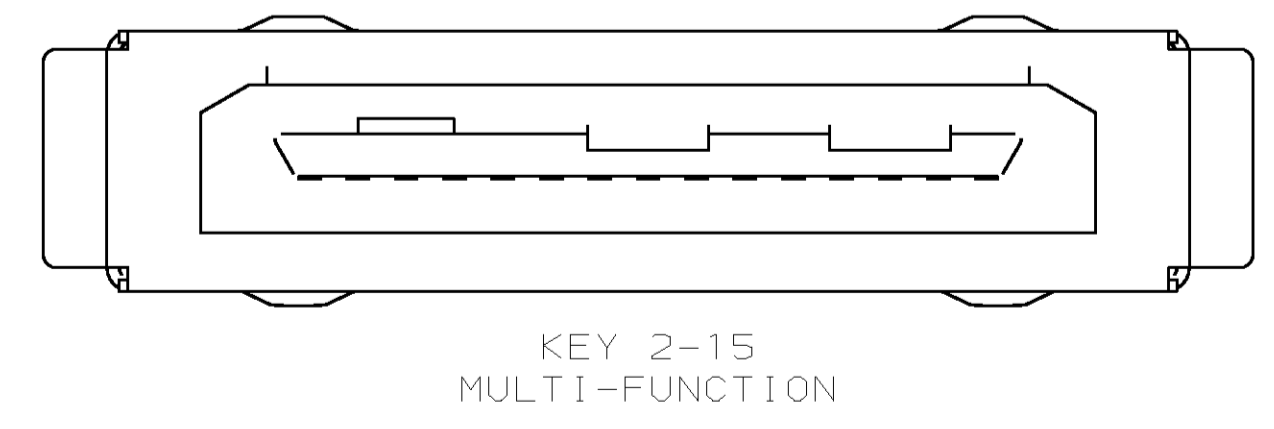
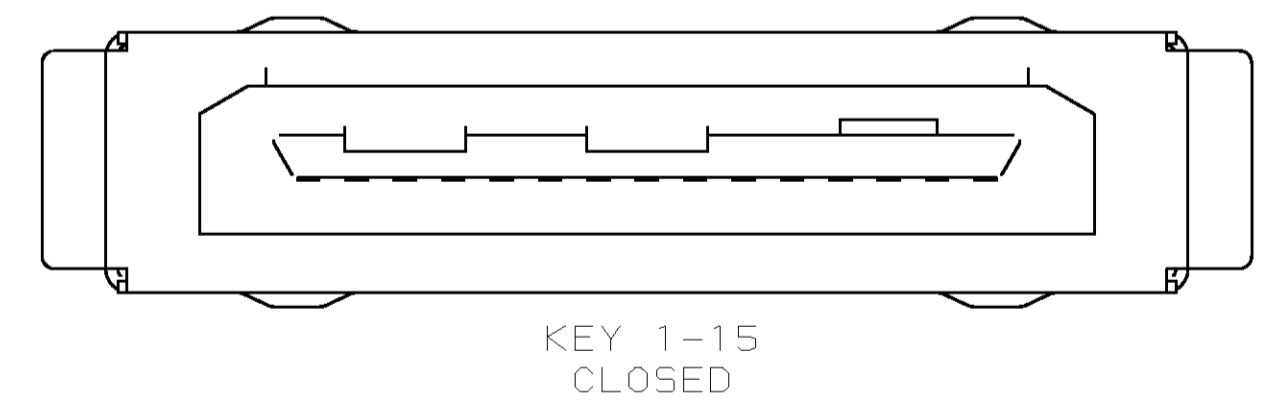
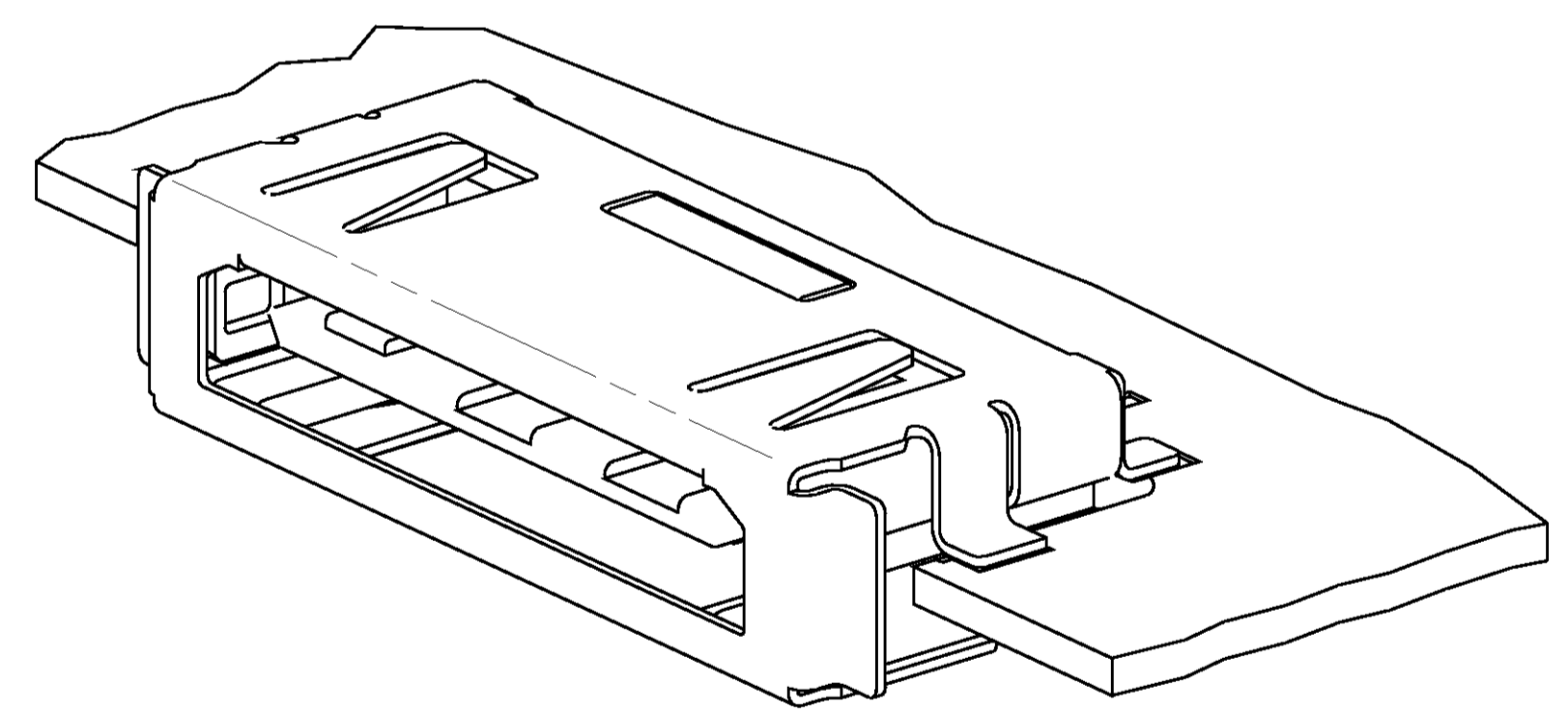


OBSELETE	TAPE & REEL	KEY	PART NUMBER
	TAPE & REEL	KEY 5-15	5-569331-5
	TAPE & REEL	KEY 4-15 LAN	5-569331-4
	TAPE & REEL	KEY 3-15 MODEM	5-569331-3
	TAPE & REEL	KEY 2-15 MULTI-FUNCTION	5-569331-2
	TAPE & REEL	KEY 1-15 CLOSED	5-569331-1
	PACKAGING	KEYING OPTION	PART NUMBER

DIMENSIONS: mm [INCHES] TOLERANCES UNLESS OTHERWISE SPECIFIED: 0 PLC ± 1 PLC ± 2 PLC ± 3 PLC ± 4 PLC ± ANGLES ±		DWN: R. BURCH/UTA 24 SEPT 96 CHK: N. JONES 11 OCT 96 APPV: J. TRAMMEL 18 OCT 96 PRODUCT SPEC: - APPLICATION SPEC: - WEIGHT: - CUSTOMER DRAWING	AMP Incorporated Harrisburg, PA 17105-3608 NAME: HEADER ASSEMBLY, SHIELDED, DUAL 15, TYPE II, SERIES III INFOPORT™ SIZE: A1 CAGE CODE: 00779 DRAWING NO: C-569331 SCALE: 10:1 SHEET: 1 OF 2 REV: C
--	--	--	--



SUGGESTED PC BOARD MOUNTING DIMENSIONS



KEYING OPTIONS
SCALE 8:1

<small>THIS DRAWING IS A CONTROLLED DOCUMENT FOR AMP INCORPORATED. IT IS SUBJECT TO CHANGE AND THE CONTROLLING ENGINEERING ORGANIZATION SHALL BE CONTACTED FOR THE LATEST REVISION.</small>		DWN: R. BURCH/UTA 24 SEPT 96 CHK: N. JONES 11 OCT 96 APPV: J. TRAMMEL 18 OCT 96	AMP AMP Incorporated Harrisburg, PA 17105-3608
DIMENSIONS: mm [INCHES]	TOLERANCES UNLESS OTHERWISE SPECIFIED: 0 PLC ±.01 1 PLC ±.02 2 PLC ±.03 3 PLC ±.04 4 PLC ±.05 DIMENSIONS	NAME: HEADER ASSEMBLY, SHIELDED, DUAL 15, TYPE II, SERIES III INFOPORT™ PRODUCT SPEC: - APPLICATION SPEC: - WEIGHT: -	SIZE: A1 CAGE CODE: 00779 DRAWING NO: C-569331 SCALE: 10:1 SHEET: 2 OF 2 REV: C
MATERIAL: -		CUSTOMER DRAWING	