



Chipsmall Limited consists of a professional team with an average of over 10 year of expertise in the distribution of electronic components. Based in Hongkong, we have already established firm and mutual-benefit business relationships with customers from,Europe,America and south Asia,supplying obsolete and hard-to-find components to meet their specific needs.

With the principle of "Quality Parts,Customers Priority,Honest Operation,and Considerate Service",our business mainly focus on the distribution of electronic components. Line cards we deal with include Microchip,ALPS,ROHM,Xilinx,Pulse,ON,Everlight and Freescale. Main products comprise IC,Modules,Potentiometer,IC Socket,Relay,Connector.Our parts cover such applications as commercial,industrial, and automotives areas.

We are looking forward to setting up business relationship with you and hope to provide you with the best service and solution. Let us make a better world for our industry!



Contact us

Tel: +86-755-8981 8866 Fax: +86-755-8427 6832

Email & Skype: info@chipsmall.com Web: www.chipsmall.com

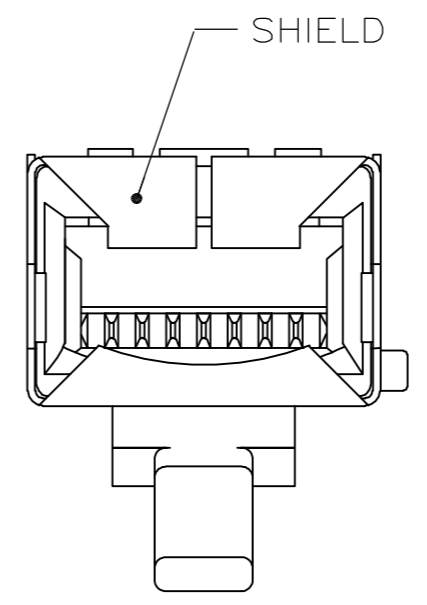
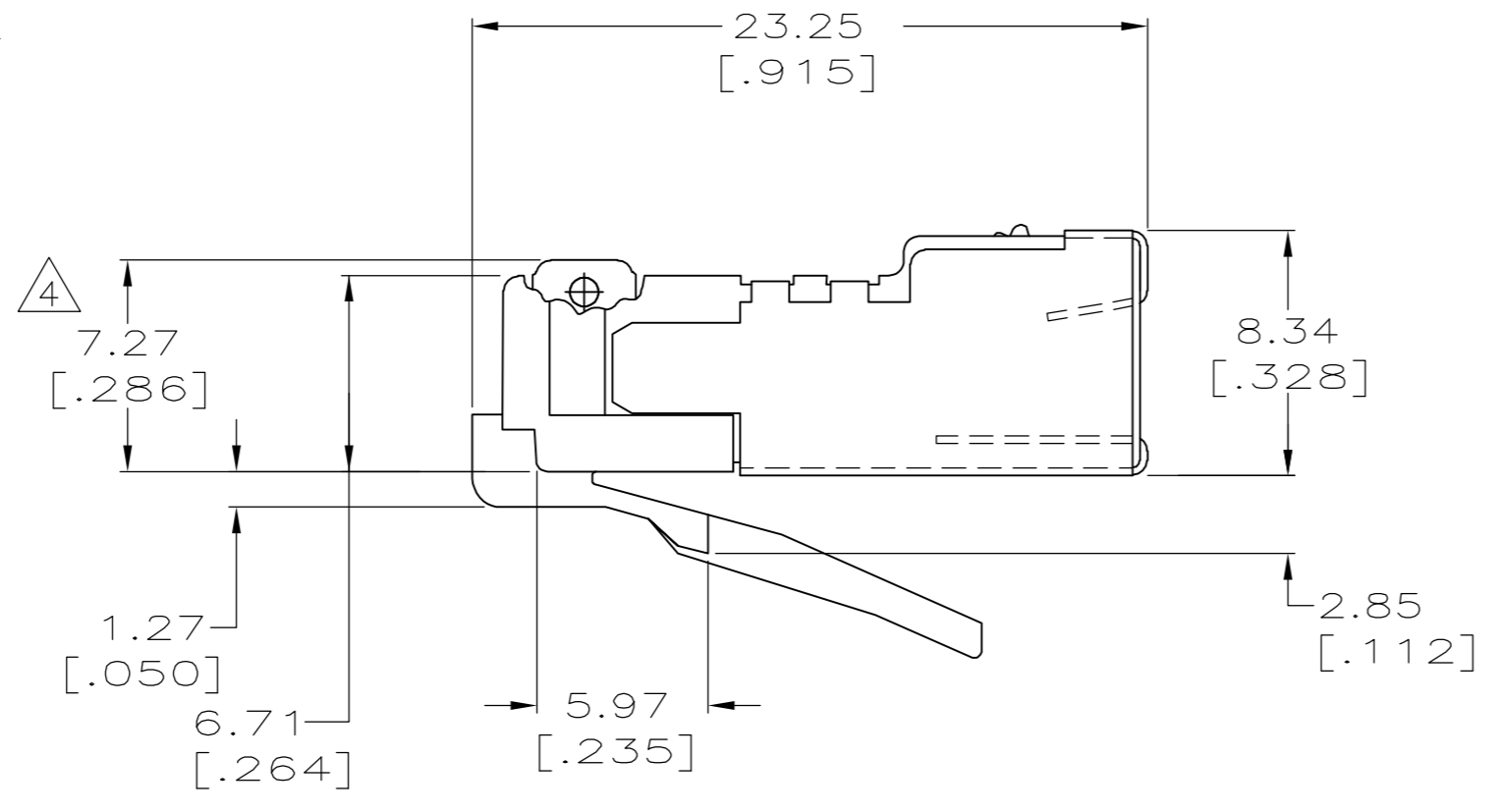
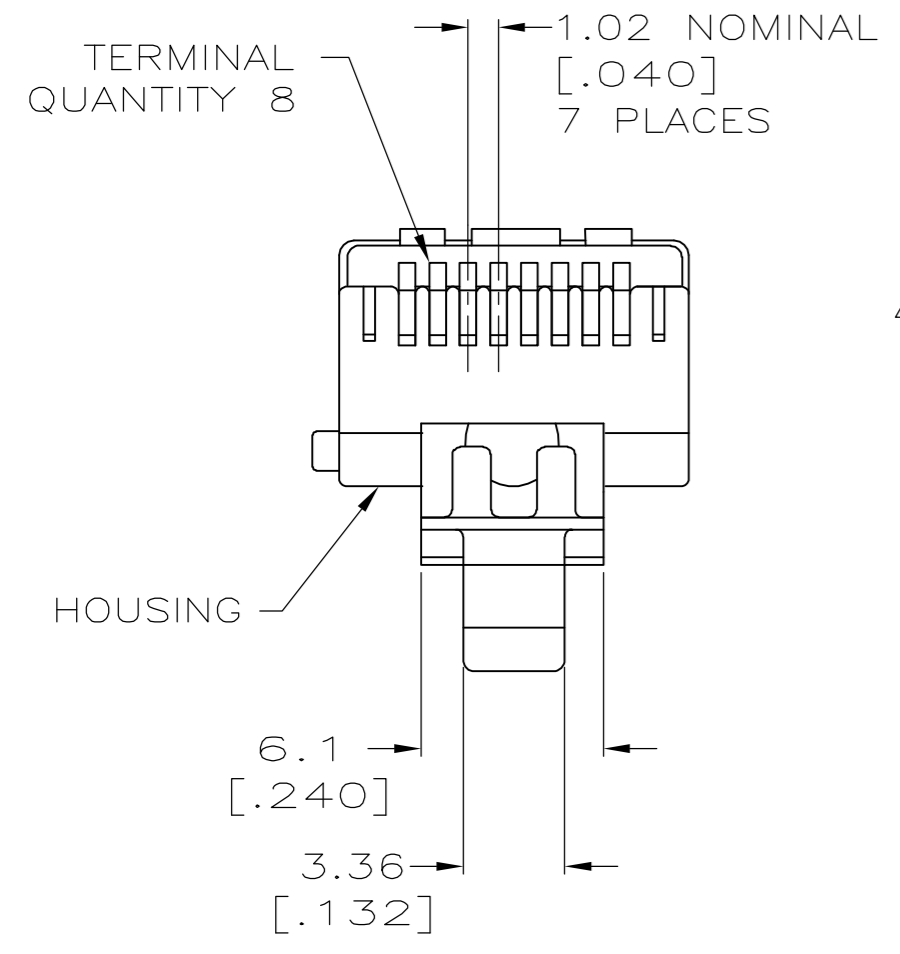
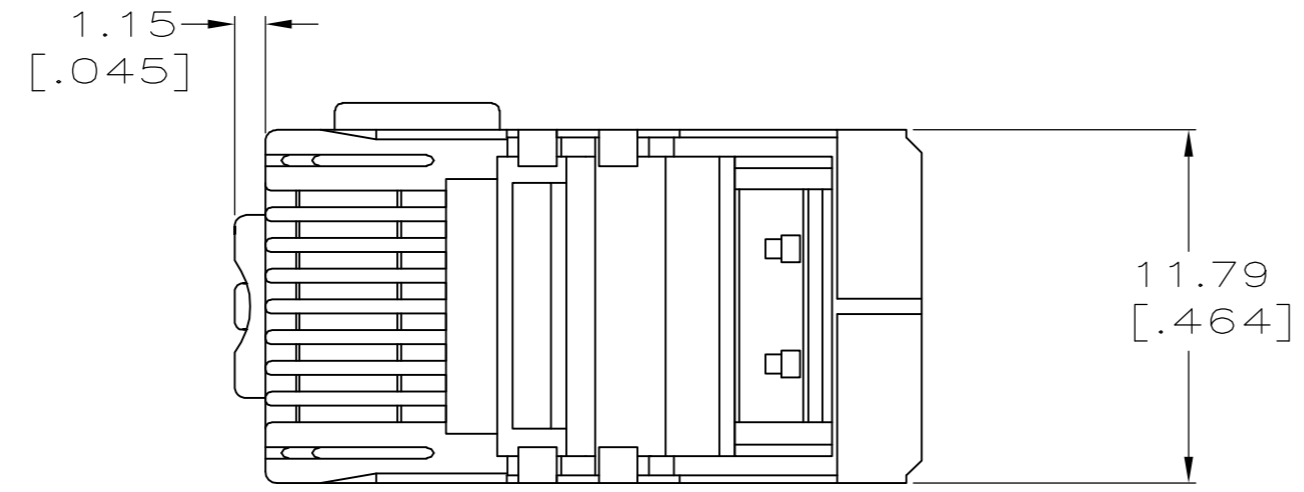
Address: A1208, Overseas Decoration Building, #122 Zhenhua RD., Futian, Shenzhen, China



THIS DRAWING IS UNPUBLISHED. RELEASED FOR PUBLICATION
 © COPYRIGHT BY TYCO ELECTRONICS CORPORATION. ALL RIGHTS RESERVED.

LOC		DIST		REVISIONS			
P	LTR	DESCRIPTION		DATE	DWN	APVD	
	D	REV ECO-06-022160		30OCT06	LH	CD	

- 1. DIMENSIONS ARE MAXIMUM UNLESS OTHERWISE SPECIFIED.
- 2. MATERIAL: HOUSING - POLYCARBONATE, CLEAR
 TERMINAL - PHOSPHOR BRONZE, PLATED WITH 1.27µm [.000050] MINIMUM THICK GOLD IN LOCALIZED GOLD PLATE AREA, GOLD FLASH OVER THE REMAINDER, OVER 2.54µm [.000100] MINIMUM THICK NICKEL UNDERPLATE.
 SHIELD - COPPER ALLOY WITH 1.27µm [.000050] MINIMUM SEMI-BRIGHT (SATIN) NICKEL.
- 3. PLUG WILL ACCEPT 24 OR 26 AWG SOLID WIRE, 0.74-0.99 [.029-.039] DIAMETER, WITH A 5.08 [.200] DIAMETER MAXIMUM JACKET.
- 4. TERMINATED DIMENSION 6.15 [.242] MAXIMUM.
- 5. PACKAGED 500 ASSEMBLIES PER CARTON.



5	5-569531-2
PACKAGED	PART NUMBER

THIS DRAWING IS A CONTROLLED DOCUMENT.		DWN	25OCT2006	Tyco Electronics Corporation Harrisburg, PA 17105-3608							
DIMENSIONS: mm [INCHES]		CHK	30OCT2006								
TOLERANCES UNLESS OTHERWISE SPECIFIED:		APVD	30OCT2006								
0 PLC ± - 1 PLC ± - 2 PLC ± - 3 PLC ± - 4 PLC ± - ANGLES ± - FINISH ± -		NAME	C. DOOLEY								
		PRODUCT SPEC	108-1163	MODULAR PLUG ASSEMBLY, KEYED, 8 POSITION, SHIELDED, ROUND CABLE, SOLID WIRE							
MATERIAL		APPLICATION SPEC	114-6016								
		WEIGHT	-	SIZE	A2	CAGE CODE	00779	DRAWING NO	C=569531	RESTRICTED TO	-
CUSTOMER DRAWING		SCALE		4:1	SHEET	1 of 1	REV	D			

569531