

Chipsmall Limited consists of a professional team with an average of over 10 year of expertise in the distribution of electronic components. Based in Hongkong, we have already established firm and mutual-benefit business relationships with customers from,Europe,America and south Asia,supplying obsolete and hard-to-find components to meet their specific needs.

With the principle of “Quality Parts,Customers Priority,Honest Operation,and Considerate Service”,our business mainly focus on the distribution of electronic components. Line cards we deal with include Microchip,ALPS,ROHM,Xilinx,Pulse,ON,Everlight and Freescale. Main products comprise IC,Modules,Potentiometer,IC Socket,Relay,Connector.Our parts cover such applications as commercial,industrial, and automotives areas.

We are looking forward to setting up business relationship with you and hope to provide you with the best service and solution. Let us make a better world for our industry!



## Contact us

Tel: +86-755-8981 8866 Fax: +86-755-8427 6832

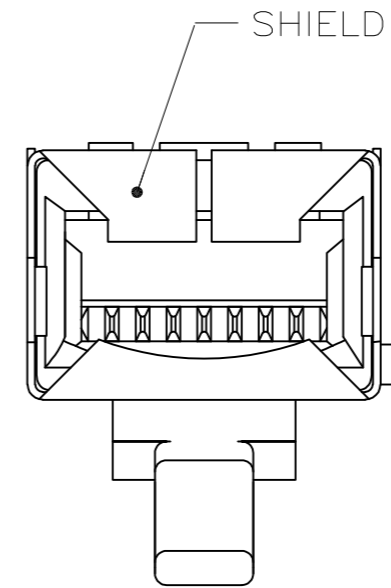
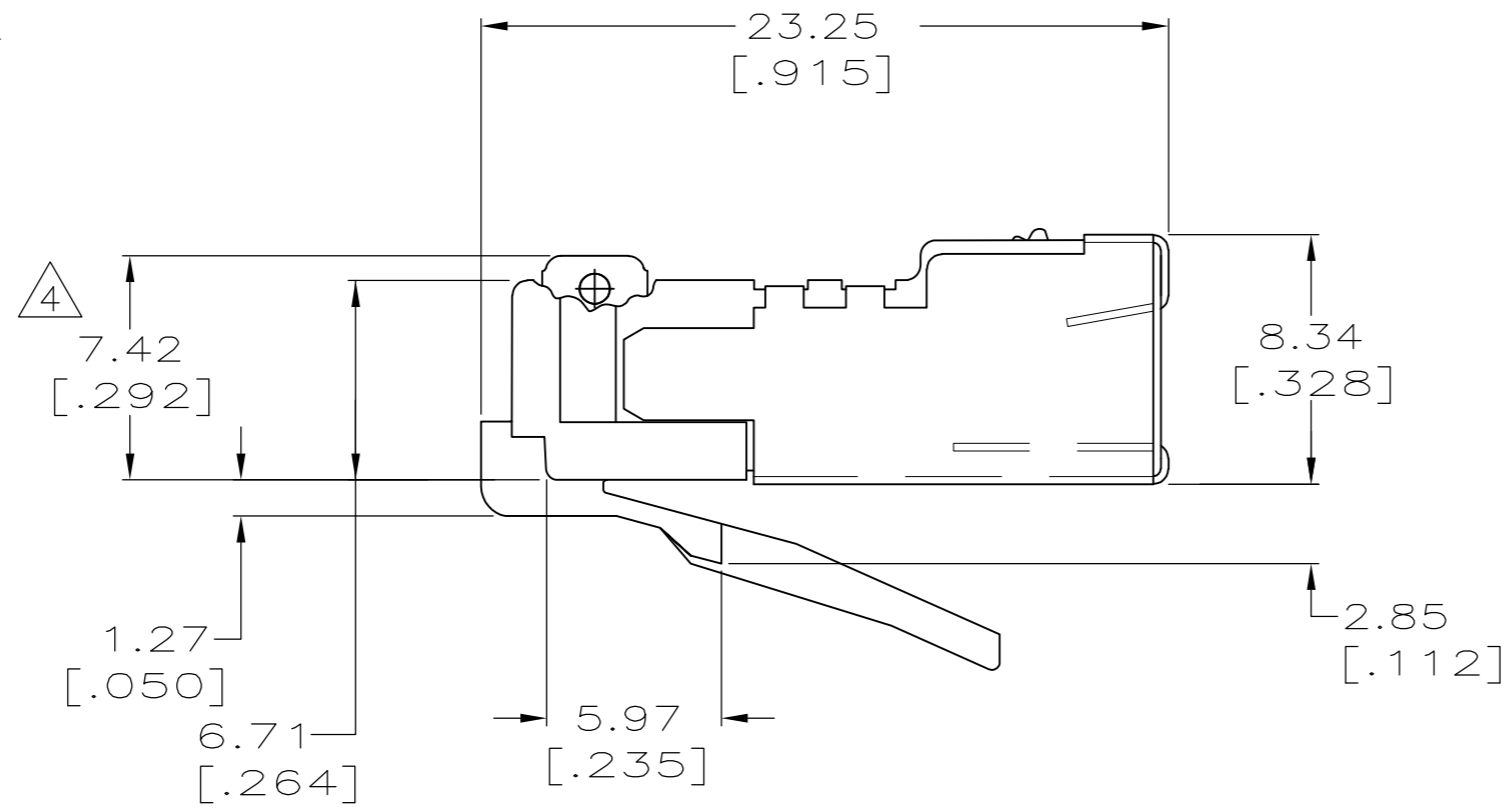
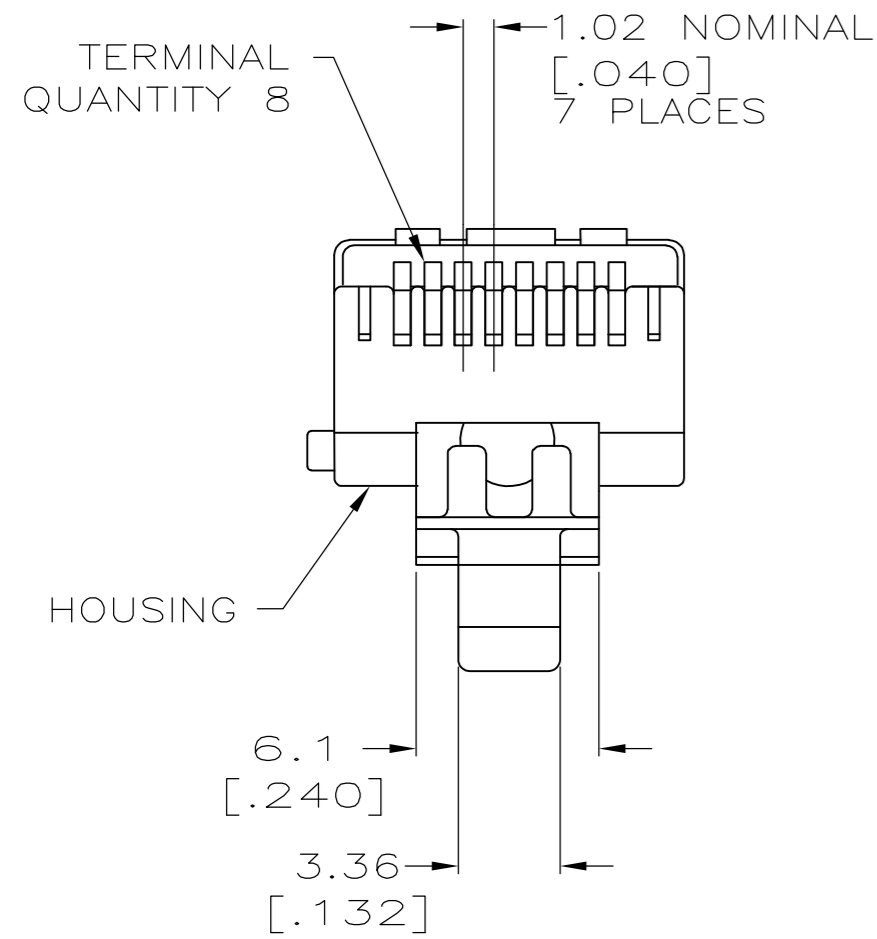
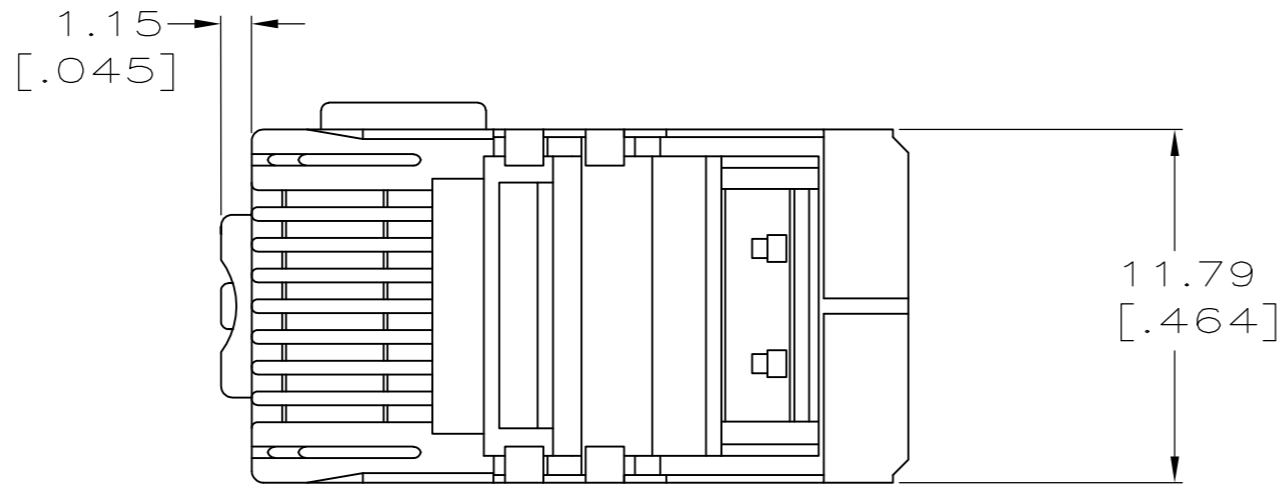
Email & Skype: [info@chipsmall.com](mailto:info@chipsmall.com) Web: [www.chipsmall.com](http://www.chipsmall.com)

Address: A1208, Overseas Decoration Building, #122 Zhenhua RD., Futian, Shenzhen, China

THIS DRAWING IS UNPUBLISHED. RELEASED FOR PUBLICATION  
 © COPYRIGHT - By - ALL RIGHTS RESERVED.

LOC	DIST	REVISIONS					
HM	00	P	LTR	DESCRIPTION	DATE	DWN	APVD
		F		REV PER ECO-12-012918	09JUL2012	JM	JG

- ① DIMENSIONS ARE MAXIMUM UNLESS OTHERWISE SPECIFIED.
- ② MATERIAL: HOUSING-POLYCARBONATE, CLEAR  
 TERMINAL- PHOSPHOR BRONZE, PLATED WITH 1.27µm [.000050] MINIMUM THICK GOLD IN LOCALIZED GOLD PLATE AREA, OVER 2.54µm [.000100] MINIMUM THICK NICKEL UNDERPLATE.  
 SHIELD - COPPER ALLOY WITH 1.27µm [.000050] MINIMUM SEMI-BRIGHT (SATIN) NICKEL.
- 3. PLUG WILL ACCEPT 24 TO 28 AWG STRANDED WIRE, 0.74-0.99 [.029-.039] DIAMETER, WITH A 5.08 [.200] DIAMETER MAXIMUM JACKET.
- ④ TERMINATED DIMENSION 6.15 [.242] MAXIMUM.
- ⑤ 500 ASSEMBLIES PER PACKAGE.
- ⑥ 100 ASSEMBLIES PER PACKAGE.



⑥	5-569533-3
⑤	5-569533-2
PACKAGED	PART NUMBER

THIS DRAWING IS A CONTROLLED DOCUMENT.		DWN	26OCT2006		TE Connectivity																										
DIMENSIONS: mm [INCHES]		L. HALL	30OCT2006																												
TOLERANCES UNLESS OTHERWISE SPECIFIED:		C. DOOLEY	30OCT2006																												
<table border="1"> <tr><td>0 PLC</td><td>±</td><td>-</td><td>①</td></tr> <tr><td>1 PLC</td><td>±</td><td>-</td><td>①</td></tr> <tr><td>2 PLC</td><td>±</td><td>-</td><td>①</td></tr> <tr><td>3 PLC</td><td>±</td><td>-</td><td>①</td></tr> <tr><td>4 PLC</td><td>±</td><td>-</td><td>①</td></tr> <tr><td>ANGLES</td><td>±</td><td>-</td><td>①</td></tr> <tr><td>FINISH</td><td>-</td><td>②</td><td></td></tr> </table>		0 PLC	±			-	①	1 PLC	±	-	①	2 PLC	±	-	①	3 PLC	±	-	①	4 PLC	±	-	①	ANGLES	±	-	①	FINISH	-	②	
0 PLC	±	-	①																												
1 PLC	±	-	①																												
2 PLC	±	-	①																												
3 PLC	±	-	①																												
4 PLC	±	-	①																												
ANGLES	±	-	①																												
FINISH	-	②																													
MATERIAL	-	②	-	NAME	MODULAR PLUG ASSEMBLY, KEYED, 8 POSITION, SHIELDED, ROUND CABLE, STRANDED WIRE																										
CUSTOMER DRAWING		PRODUCT SPEC	108-1163	SIZE	A2																										
		APPLICATION SPEC	114-6016	CAGE CODE	00779																										
		WEIGHT	-	DRAWING NO	C=569533																										
		SCALE	4:1	SHEET	1 of 1																										
		REV	F																												