



Chipsmall Limited consists of a professional team with an average of over 10 year of expertise in the distribution of electronic components. Based in Hongkong, we have already established firm and mutual-benefit business relationships with customers from,Europe,America and south Asia,supplying obsolete and hard-to-find components to meet their specific needs.

With the principle of “Quality Parts,Customers Priority,Honest Operation,and Considerate Service”,our business mainly focus on the distribution of electronic components. Line cards we deal with include Microchip,ALPS,ROHM,Xilinx,Pulse,ON,Everlight and Freescale. Main products comprise IC,Modules,Potentiometer,IC Socket,Relay,Connector.Our parts cover such applications as commercial,industrial, and automotives areas.

We are looking forward to setting up business relationship with you and hope to provide you with the best service and solution. Let us make a better world for our industry!



Contact us

Tel: +86-755-8981 8866 Fax: +86-755-8427 6832

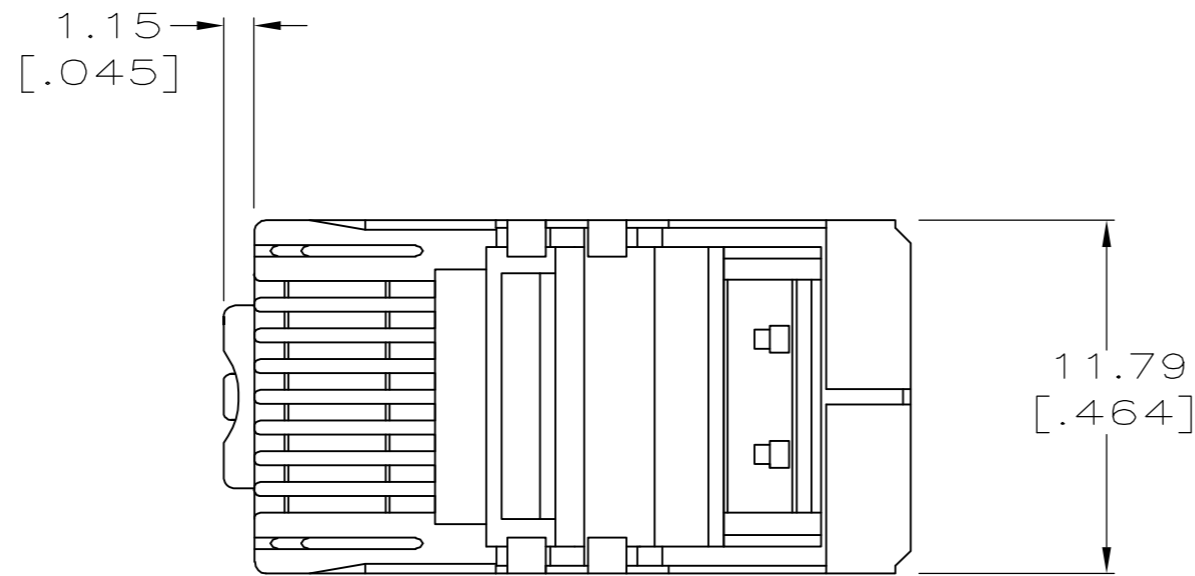
Email & Skype: info@chipsmall.com Web: www.chipsmall.com

Address: A1208, Overseas Decoration Building, #122 Zhenhua RD., Futian, Shenzhen, China

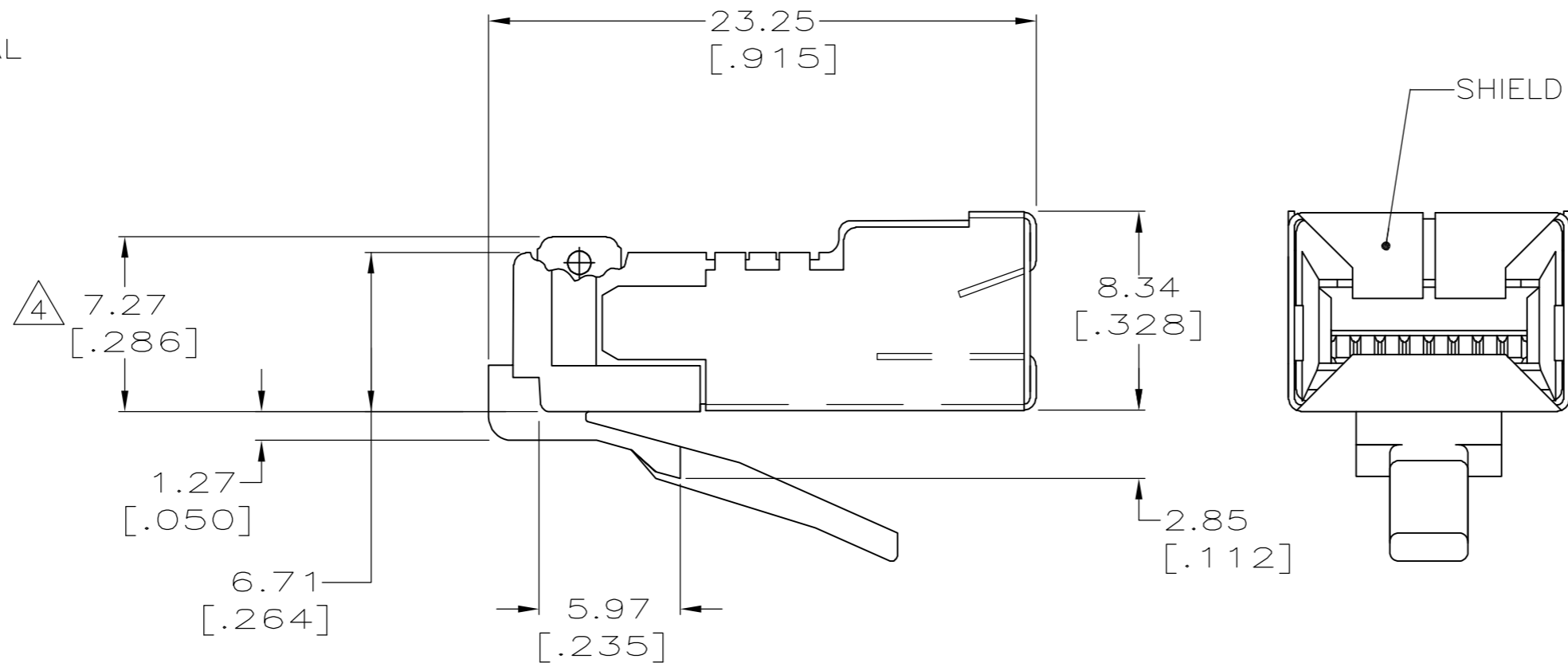
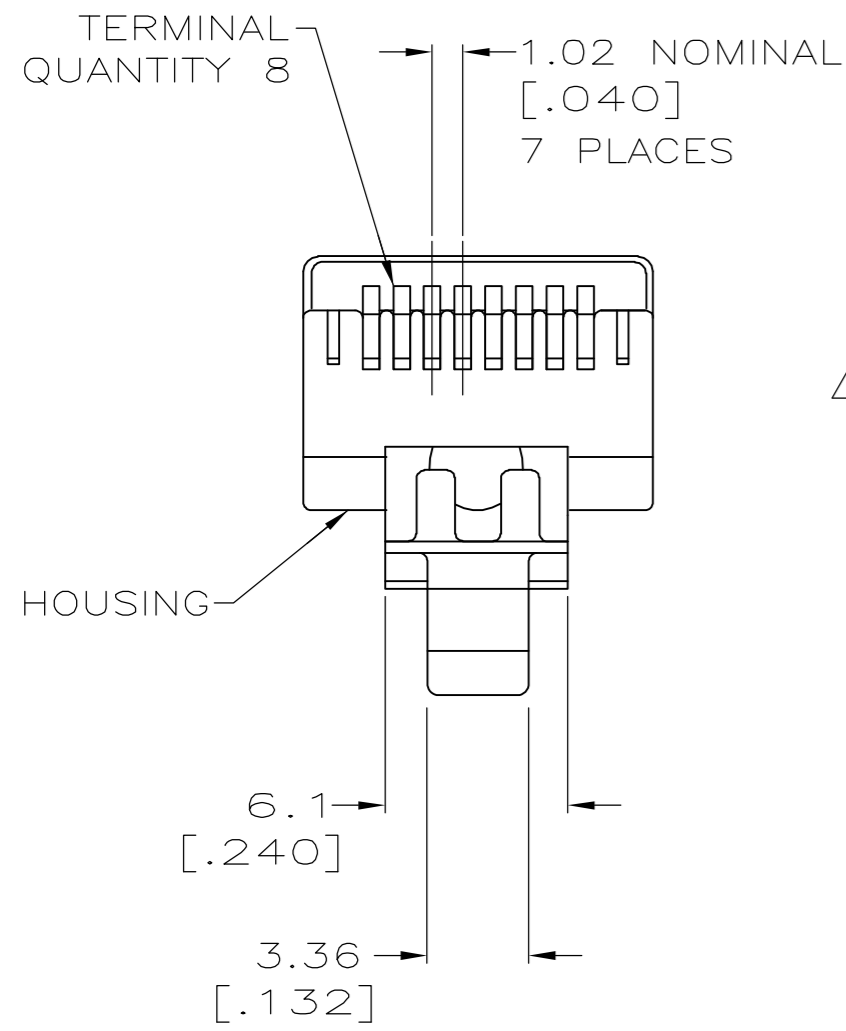


THIS DRAWING IS UNPUBLISHED. RELEASED FOR PUBLICATION
 © COPYRIGHT BY TYCO ELECTRONICS CORPORATION. ALL RIGHTS RESERVED.

LOC	DIST	REVISIONS					
HM	00	P	LTR	DESCRIPTION	DATE	DWN	APVD
			B	REVISED PER EC 0515-0123-03	11APR03	DLD	ECL
			C	REV EC0-06-004380	07JUN06	LH	CD
			D	REV EC0-06-022160	30OCT06	LH	CD



- 1. DIMENSIONS ARE MAXIMUM UNLESS OTHERWISE SPECIFIED.
- 2. MATERIAL: HOUSING - POLYCARBONATE, CLEAR
 TERMINAL - PHOSPHOR BRONZE, PLATED WITH 1.27µm [.000050] MINIMUM THICK GOLD IN LOCALIZED GOLD PLATE AREA, GOLD FLASH OVER THE REMAINDER, OVER 2.54µm [.000100] MINIMUM THICK NICKEL UNDERPLATE.
 SHIELD - COPPER ALLOY WITH 1.27µm [.000050] MINIMUM SEMI-BRIGHT (SATIN) NICKEL.
- 3. PLUG WILL ACCEPT 24 OR 26 AWG SOLID WIRE, 0.74-0.99 [.029-.039] DIAMETER, WITH A 2.80 X 9.02 [.110 X .355] MAXIMUM JACKET.
- 4. TERMINATED DIMENSION 6.15 [.242] MAXIMUM.
- 5. PACKAGED 500 ASSEMBLIES PER CARTON.



5	5-569540-2
PACKAGED	PART NUMBER

THIS DRAWING IS A CONTROLLED DOCUMENT.		DWN	G. GARRETT	10-10-95	tyco Electronics Tyco Electronics Corporation Harrisburg, PA 17105-3608																		
DIMENSIONS: mm [INCHES]		CHK	C. WHITT	10-30-95																			
TOLERANCES UNLESS OTHERWISE SPECIFIED:		APVD	E. LAURER	11-6-95																			
<table border="0"> <tr><td>0 PLC</td><td>± -</td><td rowspan="4" style="text-align: center;">1</td></tr> <tr><td>1 PLC</td><td>± -</td></tr> <tr><td>2 PLC</td><td>± -</td></tr> <tr><td>3 PLC</td><td>± -</td></tr> <tr><td>4 PLC</td><td>± -</td><td></td></tr> <tr><td>ANGLES</td><td>± -</td><td></td></tr> <tr><td>FINISH</td><td>-</td><td style="text-align: center;">2</td></tr> </table>		0 PLC	± -	1		1 PLC	± -	2 PLC	± -	3 PLC	± -	4 PLC	± -		ANGLES	± -		FINISH	-	2	PRODUCT SPEC	108-1163	NAME
0 PLC	± -	1																					
1 PLC	± -																						
2 PLC	± -																						
3 PLC	± -																						
4 PLC	± -																						
ANGLES	± -																						
FINISH	-	2																					
MATERIAL -		APPLICATION SPEC	114-6016	SIZE	A2																		
		WEIGHT	-	CAGE CODE	00779																		
		CUSTOMER DRAWING		DRAWING NO	C=569540																		
		SCALE	4:1	SHEET	1 of 1																		
		REV	D	RESTRICTED TO																			