



Chipsmall Limited consists of a professional team with an average of over 10 year of expertise in the distribution of electronic components. Based in Hongkong, we have already established firm and mutual-benefit business relationships with customers from,Europe,America and south Asia,supplying obsolete and hard-to-find components to meet their specific needs.

With the principle of “Quality Parts,Customers Priority,Honest Operation,and Considerate Service”,our business mainly focus on the distribution of electronic components. Line cards we deal with include Microchip,ALPS,ROHM,Xilinx,Pulse,ON,Everlight and Freescale. Main products comprise IC,Modules,Potentiometer,IC Socket,Relay,Connector.Our parts cover such applications as commercial,industrial, and automotives areas.

We are looking forward to setting up business relationship with you and hope to provide you with the best service and solution. Let us make a better world for our industry!



Contact us

Tel: +86-755-8981 8866 Fax: +86-755-8427 6832

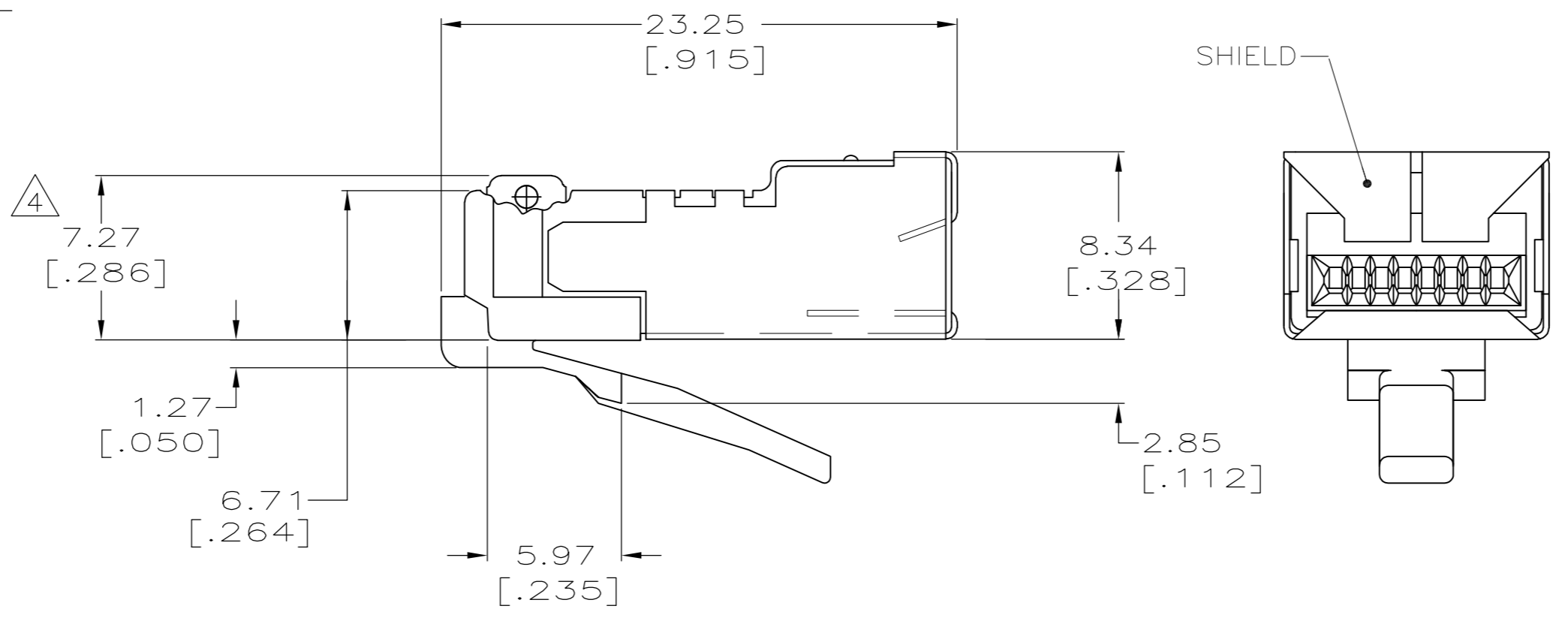
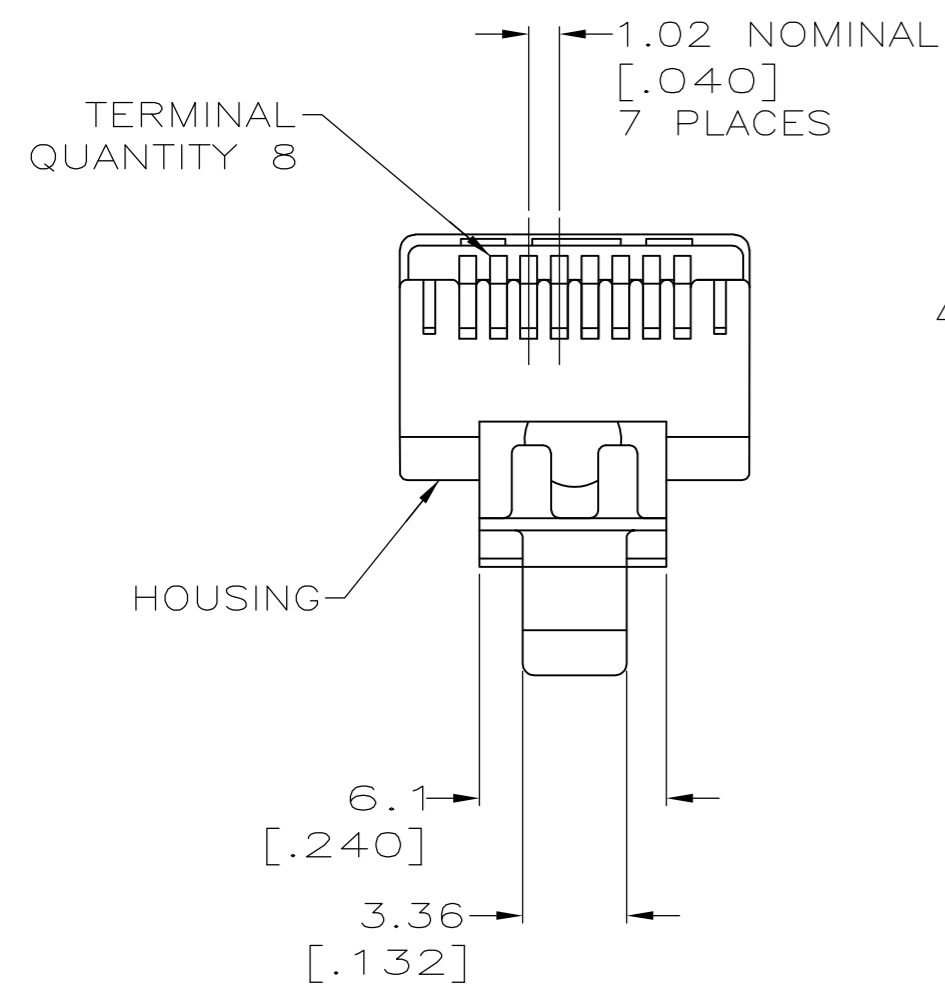
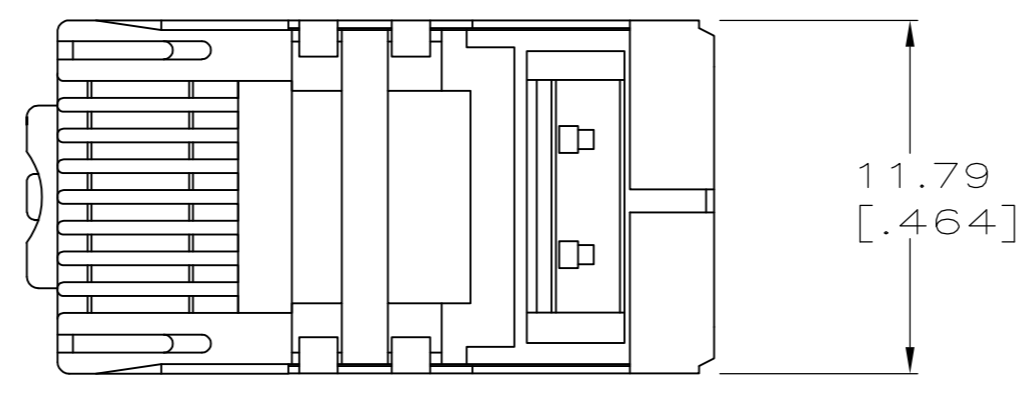
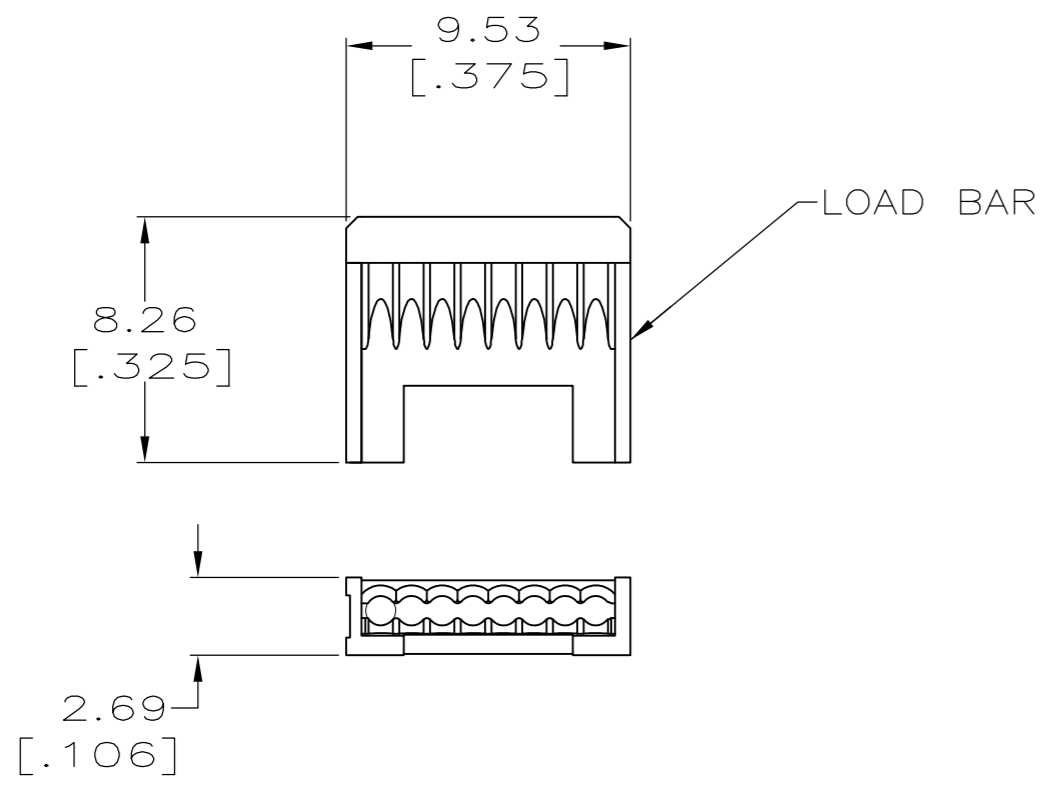
Email & Skype: info@chipsmall.com Web: www.chipsmall.com

Address: A1208, Overseas Decoration Building, #122 Zhenhua RD., Futian, Shenzhen, China



THIS DRAWING IS UNPUBLISHED. RELEASED FOR PUBLICATION
 © COPYRIGHT - By - ALL RIGHTS RESERVED.

| LOC | | DIST | | REVISIONS | | | |
|-----|-----|-------------|--|---------------------------|---------|------|----|
| P | LTR | DESCRIPTION | | DATE | DWN | APVD | |
| HM | 00 | G | | REVISED PER ECO-12-012703 | 13JUL12 | JB | JG |



- ⚠ DIMENSIONS ARE MAXIMUM UNLESS OTHERWISE SPECIFIED.
- ⚠ MATERIAL:
 HOUSING - 94V-0 RATED POLYCARBONATE, CLEAR
 TERMINAL - PHOSPHOR BRONZ, PLATED WITH 1.27μm [.000050] MINIMUM THICK GOLD IN LOCALIZED GOLD PLATE AREA OVER 2.54μm [.000100] MINIMUM THICK NICKEL UNDERPLATE.
 SHIELD - COPPER ALLOY WITH 1.27μm [.000050] MINIMUM SEMI-BRIGHT(SATIN) NICKEL.
 LOAD BAR - PBT POLYESTER, BLACK.
- 3. PLUG WILL ACCEPT A 24 OR 26 SOLID CONDUCTOR, PROVIDED THE INSULATED CONDUCTOR DIAMETER IS 0.89 [.035] TO 0.99 [.039] WITH A SHIELDED, PLIABLE, LOOSE CABLE JACKET OF 4.83 [.190] TO 5.21 [.205] DIAMETER OR A SHIELDED, RIGID, HARD CABLE JACKET OF 4.83 [.190] TO 5.08 [.200] DIAMETER.
- ⚠ TERMINATED DIMENSION 6.15 [.242] MAXIMUM.
- ⚠ 500 ASSEMBLIES AND 500 LOAD BARS PER PACKAGE.
- ⚠ 100 ASSEMBLIES AND 100 LOAD BARS PER PACKAGE.
- ⚠ 25 ASSEMBLIES AND 25 LOAD BARS PER PACKAGE.
- ⚠ UL RECOGNIZED: FILE NUMBER E81956

| | | |
|---------------------|----------|-------------|
| SUPSD BY 5-569550-2 | ⚠7 | 5-569550-4 |
| | ⚠6 | 5-569550-3 |
| | ⚠5 | 5-569550-2 |
| | PACKAGED | PART NUMBER |

| | | | | | | | | | | | |
|---|--|--------------|------------|----------|---|--|-----------|------------|--------|-----|---|
| THIS DRAWING IS A CONTROLLED DOCUMENT. | | DWN | G. GARRETT | 10-11-95 | | TE Connectivity | | | | | |
| DIMENSIONS: mm [INCHES] | | CHK | C. WHITT | 10-31-95 | | MODULAR PLUG ASSEMBLY, 8 POSITION, SHIELDED, ROUND CABLE, SOLID WIRE, HIGH PERFORMANCE | | | | | |
| TOLERANCES UNLESS OTHERWISE SPECIFIED: | | APVD | E. LAURER | 11-7-95 | | SIZE | CAGE CODE | DRAWING NO | | | |
| 0 PLC ± - 1 PLC ± - 2 PLC ± - 3 PLC ± - 4 PLC ± - ANGLES ± - FINISH ± - | | PRODUCT SPEC | 108-1163 | 114-6053 | | A2 | 00779 | C=569550 | | | |
| MATERIAL - 2 | | FINISH | - 2 | WEIGHT | - | SCALE | 4:1 | SHEET | 1 of 1 | REV | G |
| CUSTOMER DRAWING | | | | | | RESTRICTED TO | | - | | | |