



Chipsmall Limited consists of a professional team with an average of over 10 year of expertise in the distribution of electronic components. Based in Hongkong, we have already established firm and mutual-benefit business relationships with customers from,Europe,America and south Asia,supplying obsolete and hard-to-find components to meet their specific needs.

With the principle of “Quality Parts,Customers Priority,Honest Operation,and Considerate Service”,our business mainly focus on the distribution of electronic components. Line cards we deal with include Microchip,ALPS,ROHM,Xilinx,Pulse,ON,Everlight and Freescale. Main products comprise IC,Modules,Potentiometer,IC Socket,Relay,Connector.Our parts cover such applications as commercial,industrial, and automotives areas.

We are looking forward to setting up business relationship with you and hope to provide you with the best service and solution. Let us make a better world for our industry!



Contact us

Tel: +86-755-8981 8866 Fax: +86-755-8427 6832

Email & Skype: info@chipsmall.com Web: www.chipsmall.com

Address: A1208, Overseas Decoration Building, #122 Zhenhua RD., Futian, Shenzhen, China

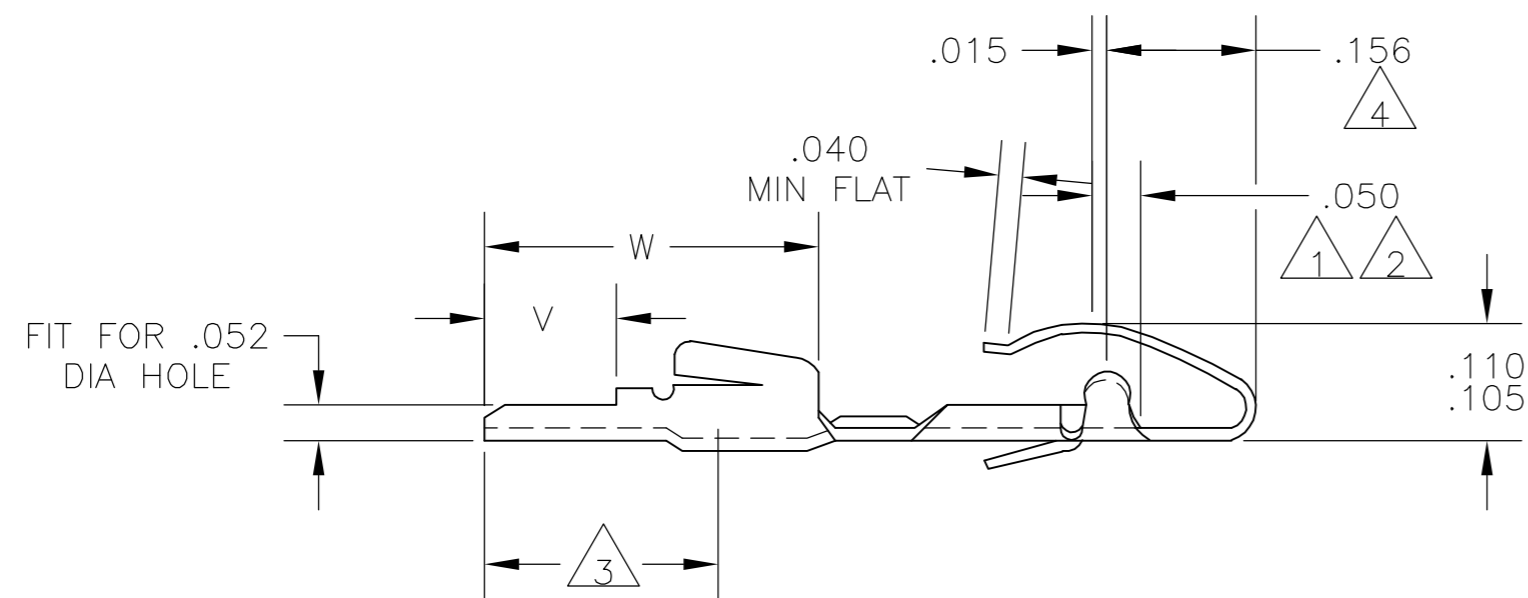
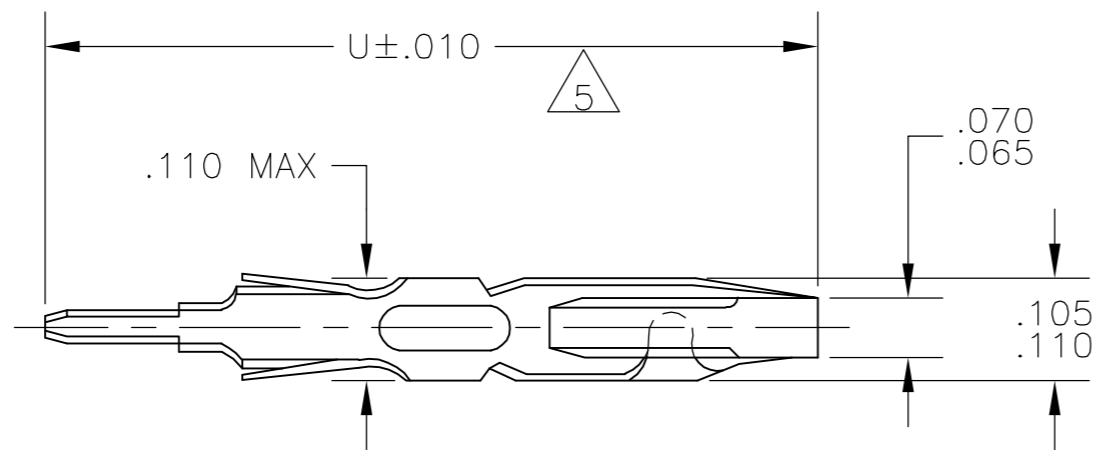


THIS DRAWING IS UNPUBLISHED. RELEASED FOR PUBLICATION
 © COPYRIGHT BY TYCO ELECTRONICS CORPORATION. ALL RIGHTS RESERVED.

LOC		DIST		REVISIONS			
AD	00	P	LTR	DESCRIPTION	DATE	DWN	APVD
		K		ECO-05-004683	17JAN06	BSV	MM

NOTE:
FINISH

- △1 .000030 GOLD OVER NICKEL SELECTIVE ON CONTACT AREA.
- △2 .000015 GOLD OVER .000050 NICKEL SELECTIVE ON CONTACT AREA.
- △3 GOLD FLASH OR TIN PLATE OVER NICKEL ON SOLDER TAB.
- △4 GOLD PLATING THICKNESS TO BE MEASURED WITH A MASK HAVING A .012 APERTURE LOCATED .156 FROM THE NOSE OF CONTACT
- △5 .000100/.000200 BRIGHT TIN LEAD PLATING ALL OVER, NICKEL UNDER PLATE ALL OVER.
- △6 GOLD FLASH OR MATTE TIN PLATE OVER NICKEL ON SOLDER TAB.



	1/16	△2	△6	.345	.120	.810	5-583294-2
	1/16	△1	△6	.345	.120	.810	5-583294-1
OBSOLETE	1/16		△5	.345	.120	.810	583294-8
OBSOLETE	3/32	△2		.375	.150	.840	583294-4
OBSOLETE	3/32		△1	.375	.150	.840	583294-3
	1/16	△2		.345	.120	.810	583294-2
	1/16		△1	.345	.120	.810	583294-1
	BOARD THK	FINISH		W	V	U	PART NO.

THIS DRAWING IS A CONTROLLED DOCUMENT.		DWN	26SEP67	tyco Electronics	Tyco Electronics Corporation Harrisburg, PA 17105-3608			
DIMENSIONS: INCHES		CHK	14SEP67		AMP LEAF SOLDER DIP CONTACT FOR .052 DIA.HOLE			
TOLERANCES UNLESS OTHERWISE SPECIFIED:		APVD	18SEP67		SIZE	CAGE CODE	DRAWING NO	RESTRICTED TO
0 PLC	± -	PRODUCT SPEC		A2 00779		C=583294	-	
1 PLC	± -	APPLICATION SPEC		SCALE	5:1	SHEET	1 OF 1	
2 PLC	± -	MATERIAL		CUSTOMER DRAWING		REV	K	
3 PLC	± -	PHOSPHOR BRONZE		SEE TABLE				
4 PLC	± -	FINISH						
ANGLES	± -							