



Chipsmall Limited consists of a professional team with an average of over 10 year of expertise in the distribution of electronic components. Based in Hongkong, we have already established firm and mutual-benefit business relationships with customers from,Europe,America and south Asia,supplying obsolete and hard-to-find components to meet their specific needs.

With the principle of “Quality Parts,Customers Priority,Honest Operation,and Considerate Service”,our business mainly focus on the distribution of electronic components. Line cards we deal with include Microchip,ALPS,ROHM,Xilinx,Pulse,ON,Everlight and Freescale. Main products comprise IC,Modules,Potentiometer,IC Socket,Relay,Connector.Our parts cover such applications as commercial,industrial, and automotives areas.

We are looking forward to setting up business relationship with you and hope to provide you with the best service and solution. Let us make a better world for our industry!



## Contact us

Tel: +86-755-8981 8866 Fax: +86-755-8427 6832

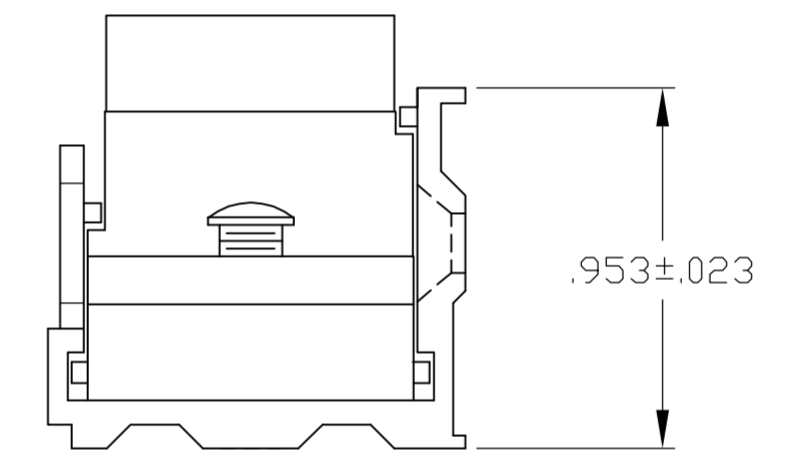
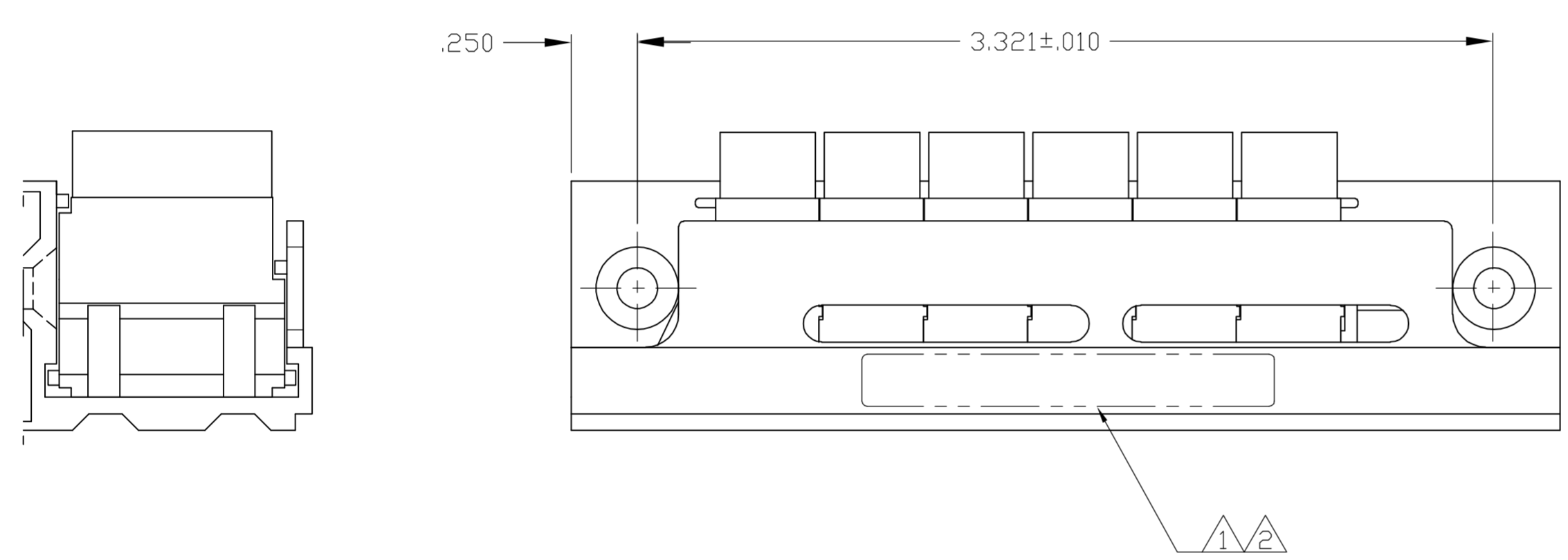
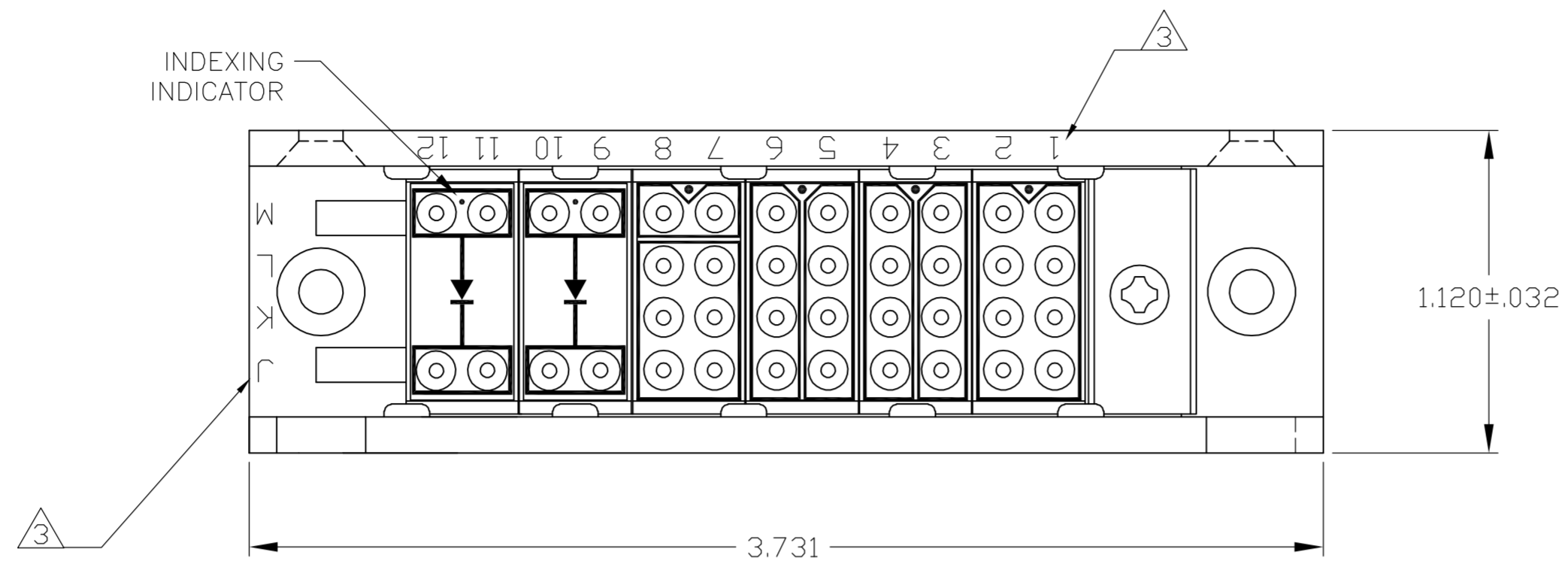
Email & Skype: info@chipsmall.com Web: www.chipsmall.com

Address: A1208, Overseas Decoration Building, #122 Zhenhua RD., Futian, Shenzhen, China



THIS DRAWING IS UNPUBLISHED. RELEASED FOR PUBLICATION  
 © COPYRIGHT BY TYCO ELECTRONICS CORPORATION. ALL RIGHTS RESERVED.

LOC	DIST	REVISIONS					
DF	A0	P	LTR	DESCRIPTION	DATE	DWN	APVD
		C		REV PER ECO 06-00669	1-16-06	CT	DE



- 1 CUSTOMER PART NO. 12220BE-01A, MARKED IN AREA SHOWN.
- 2 RAIL MARKED WITH "AMP", AMP PART NUMBER AND DATE CODE IN AREA SHOWN.
- 3 TOP OF RAIL ASSEMBLY MARKED WITH ZONE IDENTIFICATION AS SHOWN.
- 4 ROLLS-ROYCE QUALITY SPECIFICATION CQC-103 IS INVOKED.

2 3	5-591629-1
SUPERSEDED BY -1	591629-2
1 2 3 4	591629-1
REMARKS	PART NO.

THIS DRAWING IS A CONTROLLED DOCUMENT.		DWN C.C.THOMAS 16JAN2006	Tyco Electronics Corporation Harrisburg, PA 17105-3608	
DIMENSIONS: INCHES		CHK D.EABY 1-16-06	NAME MODULE BLOCK/MOUNTING RAIL ASSY,SIZE 16,TJ	
TOLERANCES UNLESS OTHERWISE SPECIFIED:		APVD D.EABY 1-16-06	RESTRICTED TO	
0 PLC ± -		PRODUCT SPEC	SIZE A2	CAGE CODE 00779
1 PLC ± -		APPLICATION SPEC	DRAWING NO C=591629	REV C
2 PLC ± -			SCALE 2:1	SHEET 1 of 1
3 PLC ± .015				
4 PLC ± -				
ANGLES ± -				
FINISH		WEIGHT -		
MATERIAL -		CUSTOMER DRAWING		