



Chipsmall Limited consists of a professional team with an average of over 10 year of expertise in the distribution of electronic components. Based in Hongkong, we have already established firm and mutual-benefit business relationships with customers from,Europe,America and south Asia,supplying obsolete and hard-to-find components to meet their specific needs.

With the principle of “Quality Parts,Customers Priority,Honest Operation,and Considerate Service”,our business mainly focus on the distribution of electronic components. Line cards we deal with include Microchip,ALPS,ROHM,Xilinx,Pulse,ON,Everlight and Freescale. Main products comprise IC,Modules,Potentiometer,IC Socket,Relay,Connector.Our parts cover such applications as commercial,industrial, and automotives areas.

We are looking forward to setting up business relationship with you and hope to provide you with the best service and solution. Let us make a better world for our industry!



Contact us

Tel: +86-755-8981 8866 Fax: +86-755-8427 6832

Email & Skype: info@chipsmall.com Web: www.chipsmall.com

Address: A1208, Overseas Decoration Building, #122 Zhenhua RD., Futian, Shenzhen, China

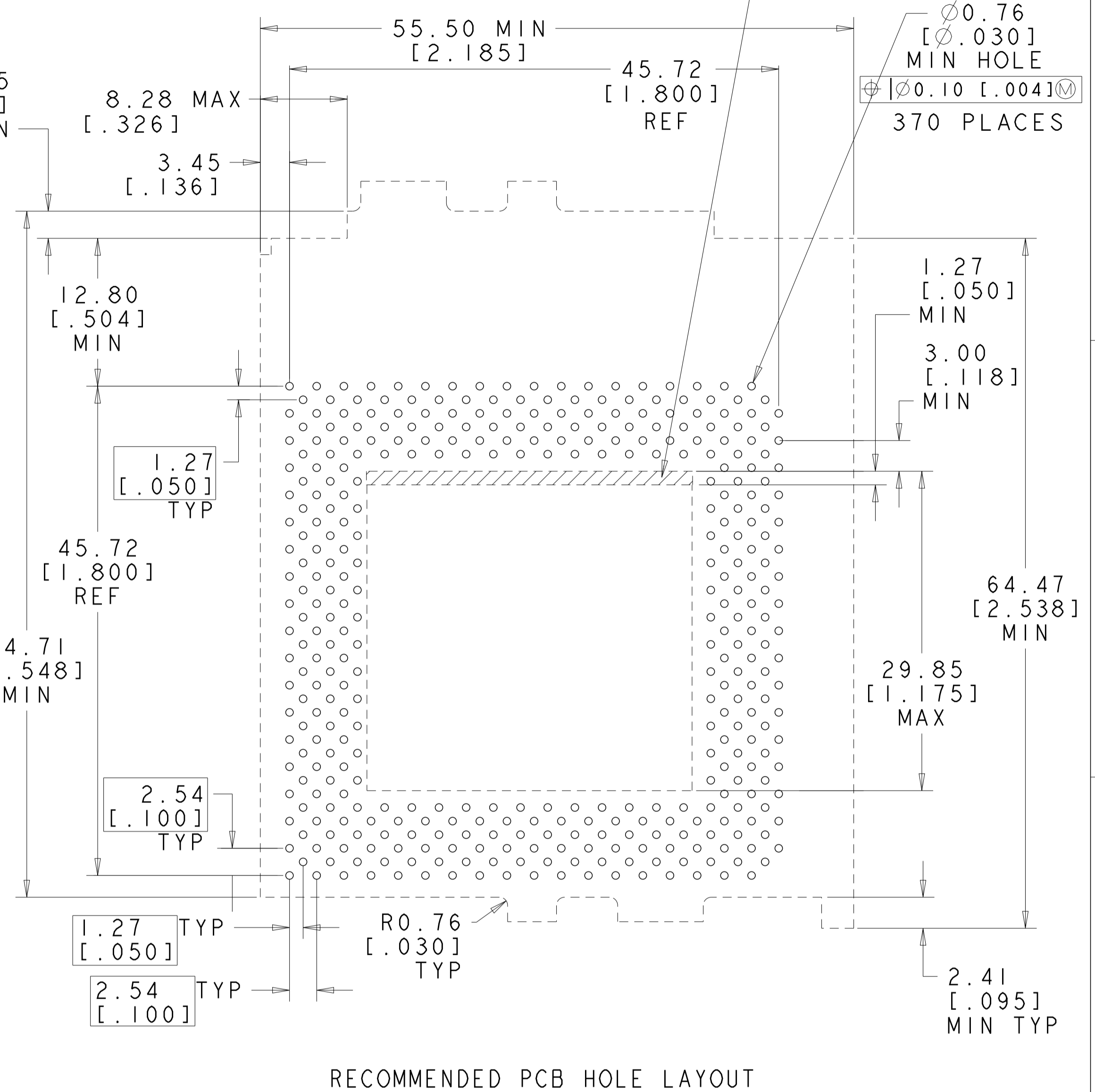
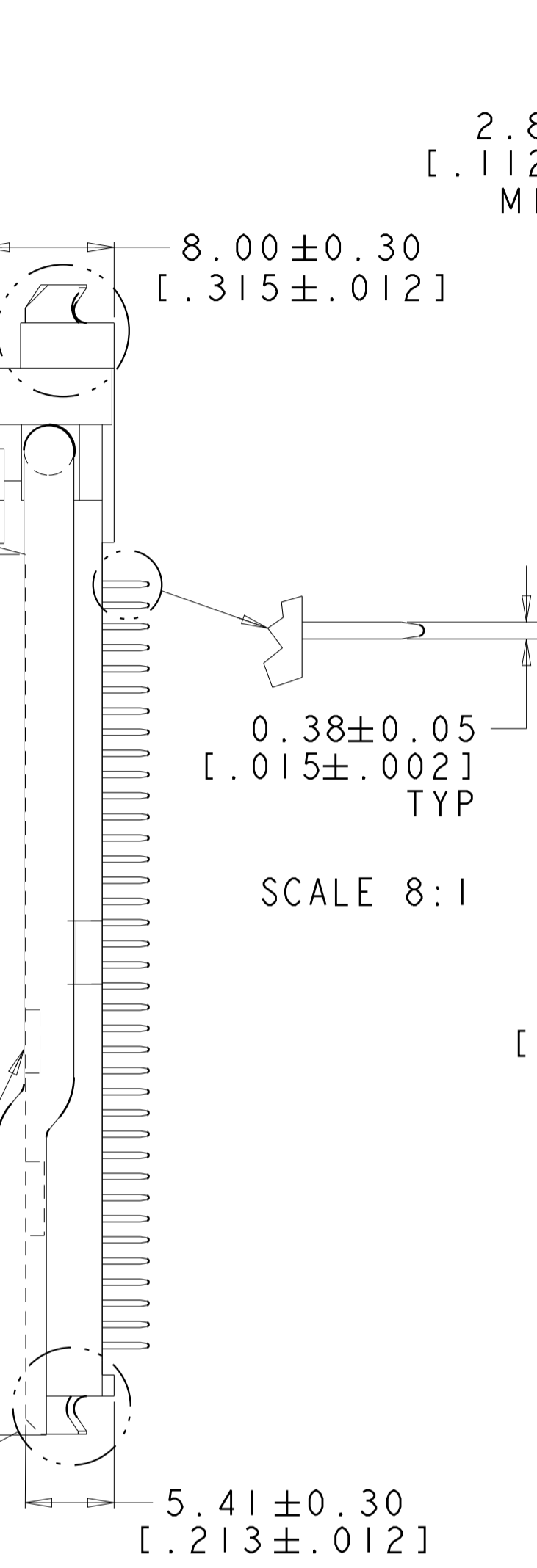
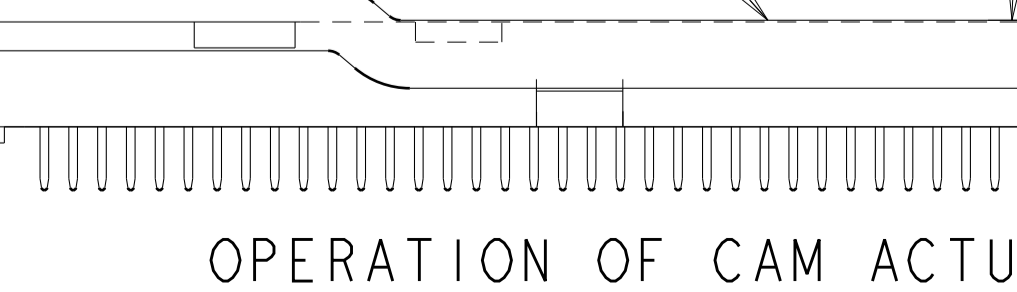
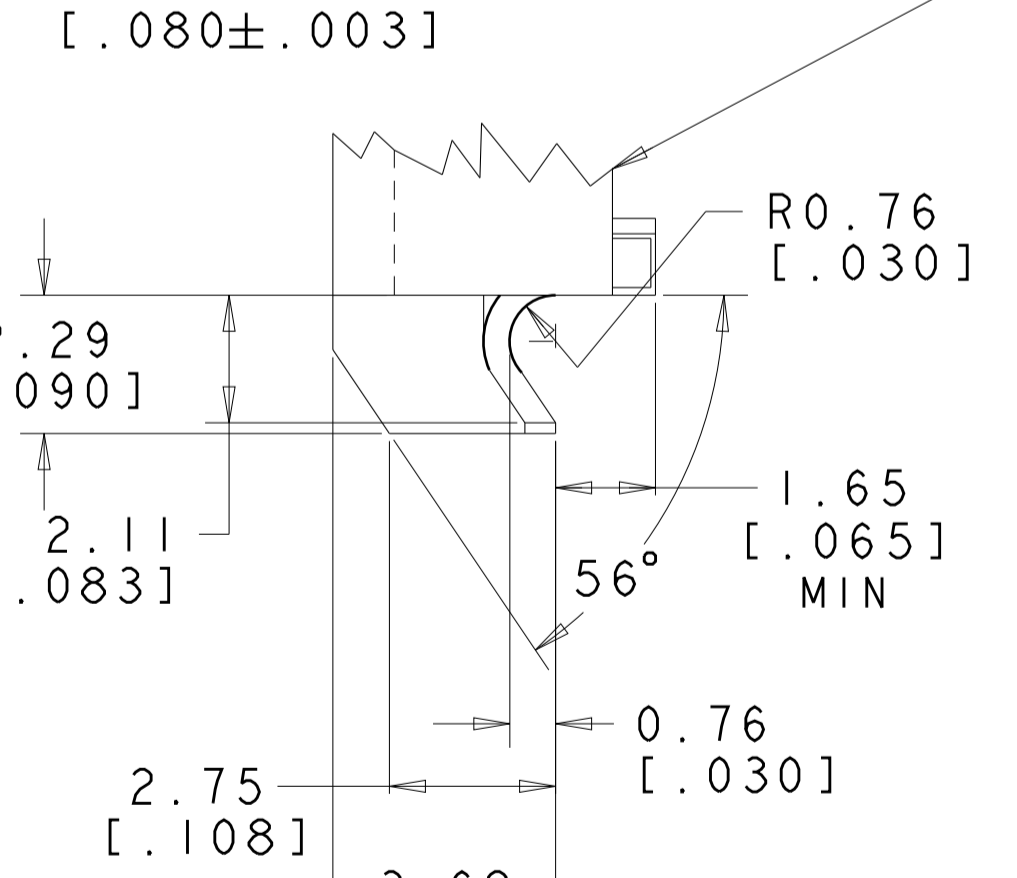
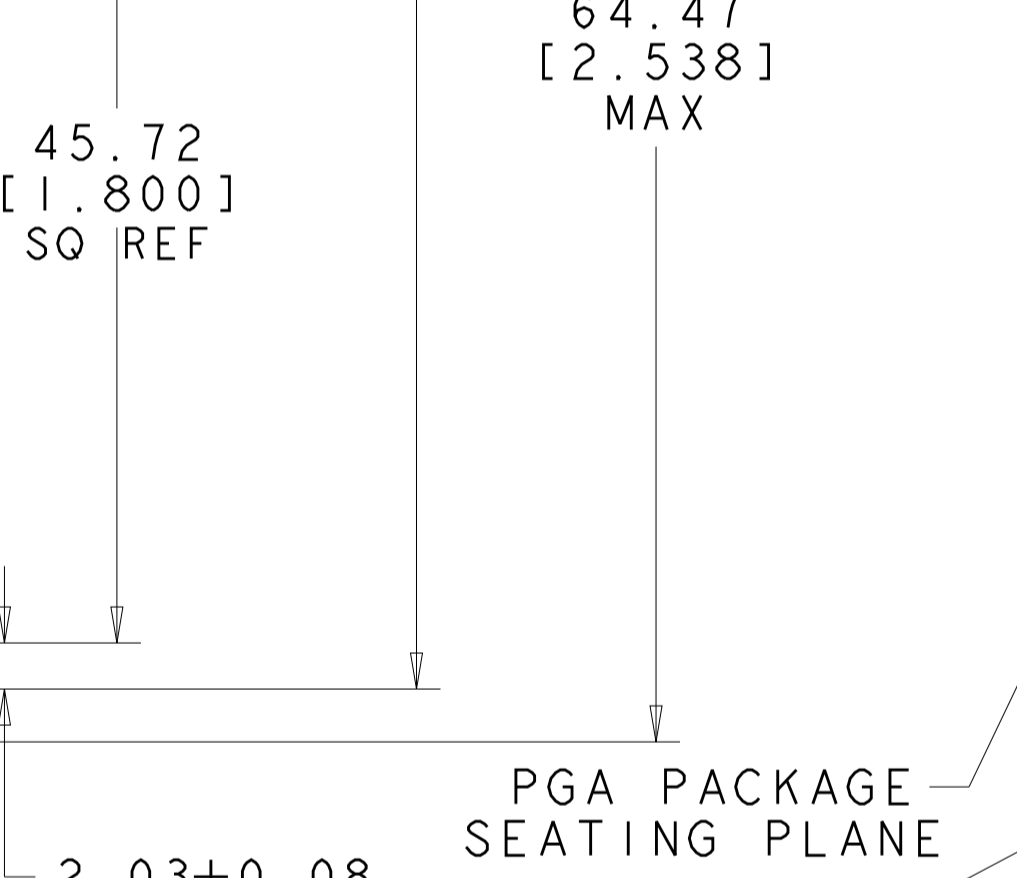
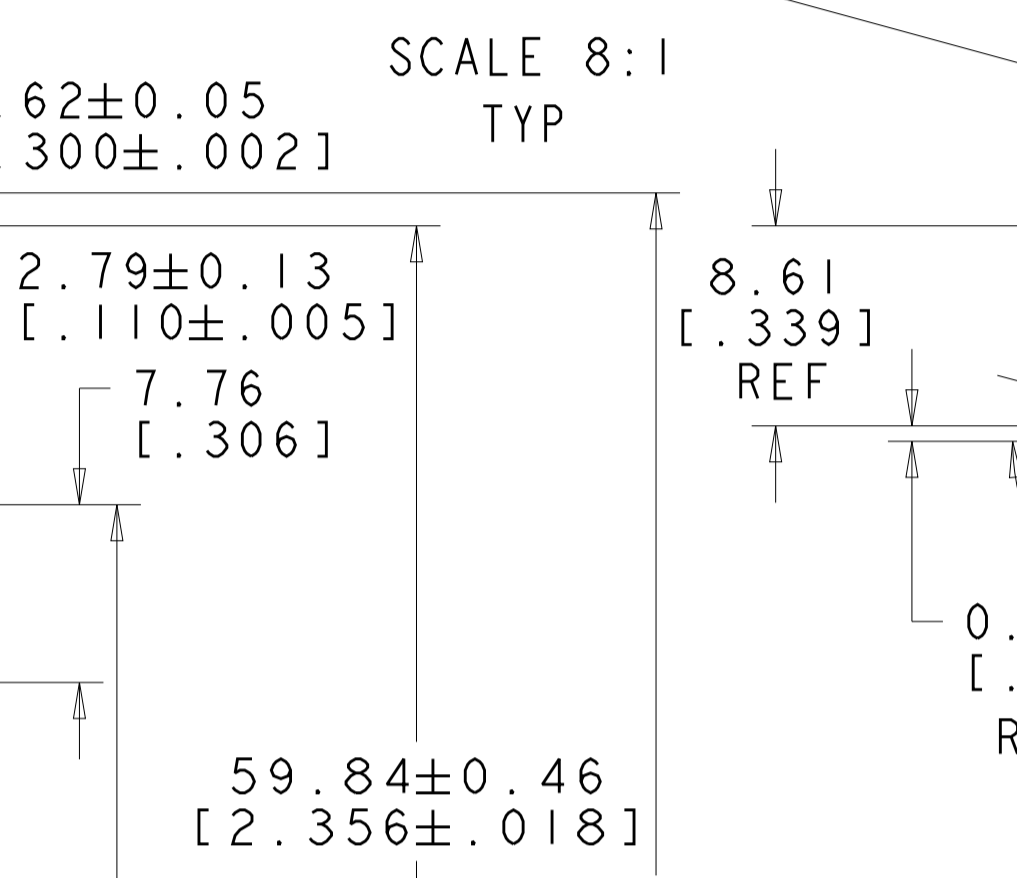
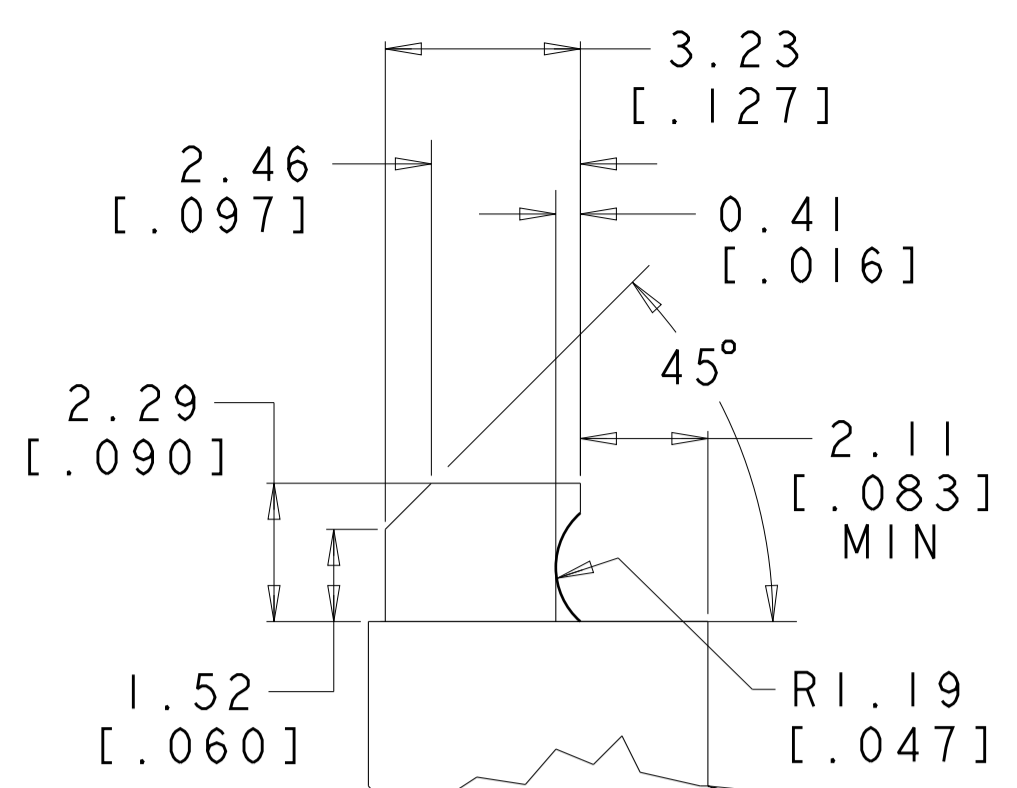
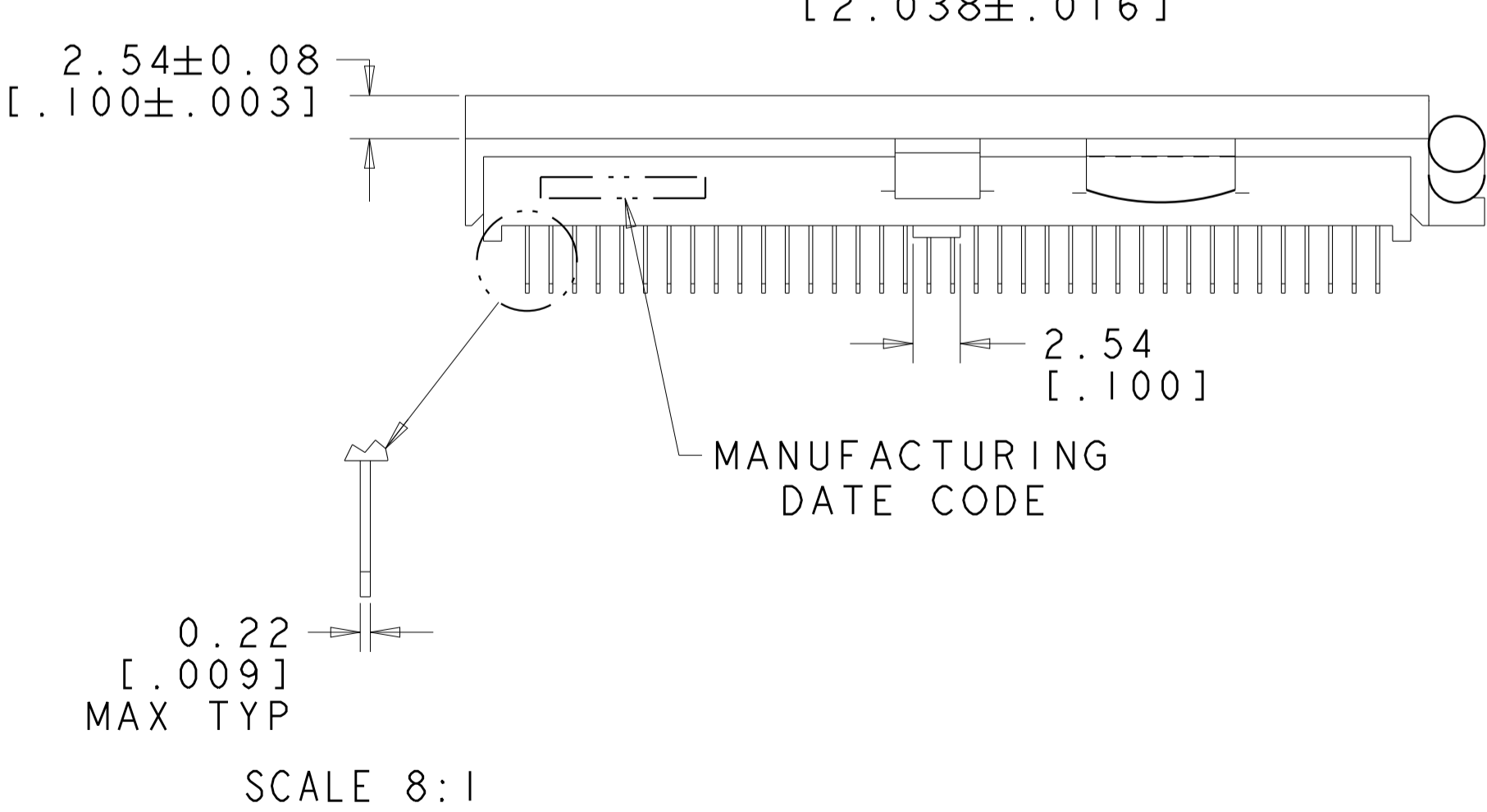
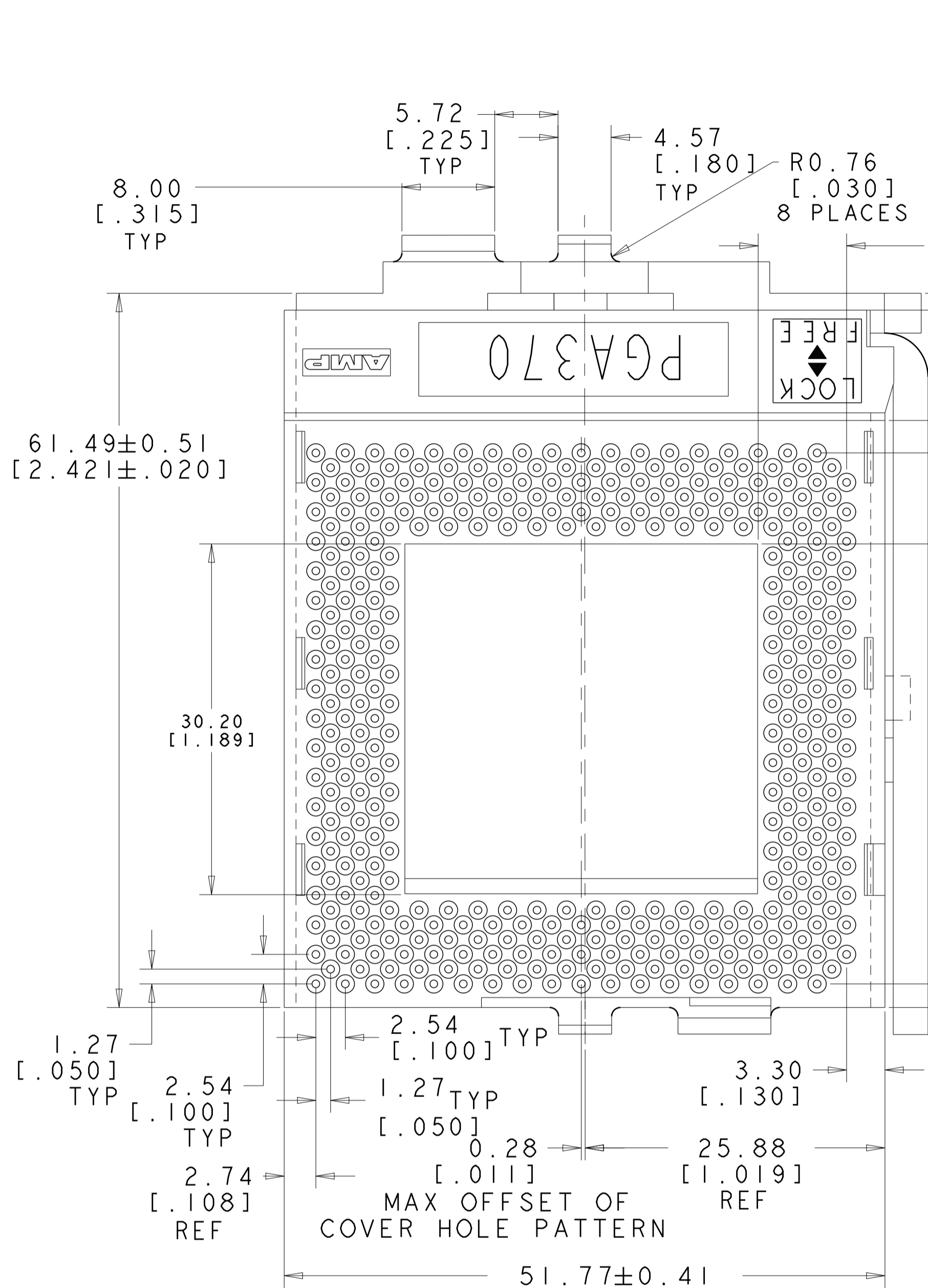
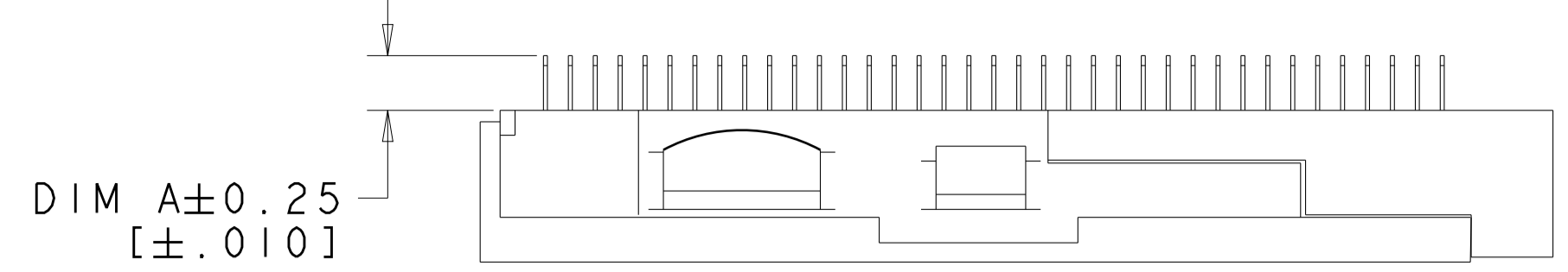


- 1 MATERIAL: HOUSING AND COVER ARE HIGH TEMPERATURE THERMOPLASTIC, LIQUID CRYSTAL POLYMER (LCP), COLOR: NATURAL, FOR 1-5916783-5, 1-5916783-8 AND 3-5916783-5, COVER IS BLACK. LP SLZ LEVER MATERIAL IS STAINLESS STEEL. CONTACT MATERIAL IS COPPER ALLOY.
- 2 FINISH: CONTACT AREA-GOLD THICKNESS PER TABLE OVER 0.00381[.000150] MIN. THICK NICKEL PLATE. SOLDER TAIL- 0.00381-0.00635 [.000150-.000250] MIN. THICK TIN OVER 0.00127[.000050] MIN. THICK NICKEL PLATE. CONTACT AREA SHALL BE FREE OF LUBRICANT.
- 3 PRODUCT LINE: LOW PROFILE SINGLE LEVER ZIF (LP SLZ). PRODUCT SPEC 108-1572, APPLICATION SPEC 114-1100.
- 4 PRODUCT LINE: LOW PROFILE SCREWDRIVER ACTUATED ZIF (LP SAZ). PRODUCT SPEC 108-1572-1, APPLICATION SPEC 114-1105, INSTRUCTION SHEET 408-3355.
- 5 PRODUCT CONFORMS TO NOTE 4 EXCEPT DURABILITY PER PRODUCT SPECIFICATION IS 20 CYCLES AND SMALL INDENTATIONS IN SCREWDRIVER SLOTS PERMISSIBLE AFTER ACTUATION.
- 6 DATE CODE MAY VARY IN LOCATION AND FORMAT DEPENDING ON MANUFACTURING LOCATION.
- 7 THESE PRODUCTS COMPLY WITH SPEC. 202-38 "PRODUCT AND PROCESS GUIDELINES FOR ROHS COMPATIBILITY AND COMPLIANCE".
- 9 OBSOLETE PARTS: OBSOLETE CIS STREAMLINING PER D. RENAUD/ D. SINISI.

REMARKS	DRAWING	TRAY PACKAGED NUMBER OF SOCKETS PER SHIPPING BOX	POSITIONS	SOLDER TAIL LENGTH DIM A±0.25 [±.010]	MIN GOLD THICKNESS 2	FC-PGA/PPGA	HANDLE STYLE	PRODUCT LINE	PART NUMBER
OBSOLETE 9	SEE SHEET 6	160	370	2.03 [.080]	0.00076 [.000030]	FLIP CHIP PGA (FC-PGA) OR PPGA	-	LP SAZ 4 5	6-5916783-1
	SEE SHEET 5	160	370	2.79 [.110]	0.00038 [.000015]	PLASTIC PGA (PPGA)	-	LP SAZ 4	5-5916783-6
OBSOLETE	SEE SHEET 5	160	370	2.36 [.093]	0.00038 [.000015]	PLASTIC PGA (PPGA)	-	LP SAZ 4	5-5916783-5
OBSOLETE 9	SEE SHEET 5	160	370	2.36 [.093]	0.00076 [.000030]	PLASTIC PGA (PPGA)	-	LP SAZ 4	5-5916783-2
	SEE SHEET 4	160	370	3.56 [.140]	0.00038 [.000015]	PLASTIC PGA (PPGA)	-	LP SAZ 4	4-5916783-7
	SEE SHEET 4	160	370	2.79 [.110]	0.00038 [.000015]	PLASTIC PGA (PPGA)	-	LP SAZ 4	4-5916783-6
	SEE SHEET 4	160	370	2.36 [.093]	0.00038 [.000015]	PLASTIC PGA (PPGA)	-	LP SAZ 4	4-5916783-5
	SEE SHEET 4	160	370	2.36 [.093]	0.00076 [.000030]	PLASTIC PGA (PPGA)	-	LP SAZ 4	4-5916783-2
	SEE SHEET 3	90	371	2.36 [.093]	0.00038 [.000015]	PLASTIC PGA (PPGA)	LOW PROFILE	LP SLZ 3	3-5916783-5
	SEE SHEET 3	90	370	2.36 [.093]	FLASH	FLIP CHIP PGA (FC-PGA) OR PPGA	LOW PROFILE	LP SLZ 3	1-5916783-8
OBSOLETE	SEE SHEET 3	60	370	2.36 [.093]	0.00038 [.000015]	FLIP CHIP PGA (FC-PGA) OR PPGA	JOG	LP SLZ 3	1-5916783-5
OBSOLETE 9	SEE SHEET 2	90	370	2.79 [.110]	FLASH	FLIP CHIP PGA (FC-PGA) OR PPGA	LOW PROFILE	LP SLZ 3	2-5916783-9
OBSOLETE	SEE SHEET 2	90	370	2.36 [.093]	FLASH	FLIP CHIP PGA (FC-PGA) OR PPGA	LOW PROFILE	LP SLZ 3	2-5916783-8
OBSOLETE 9	SEE SHEET 2	90	370	2.03 [.080]	FLASH	FLIP CHIP PGA (FC-PGA) OR PPGA	LOW PROFILE	LP SLZ 3	2-5916783-7
OBSOLETE	SEE SHEET 2	90	370	2.79 [.110]	0.00038 [.000015]	FLIP CHIP PGA (FC-PGA) OR PPGA	LOW PROFILE	LP SLZ 3	2-5916783-6
AVAILABLE	SEE SHEET 2	90	370	2.36 [.093]	0.00038 [.000015]	FLIP CHIP PGA (FC-PGA) OR PPGA	LOW PROFILE	LP SLZ 3	2-5916783-5
RESTRICTED TO INTEL; OBSOLETE	SEE SHEET 2	90	370	2.03 [.080]	0.00038 [.000015]	FLIP CHIP PGA (FC-PGA) OR PPGA	LOW PROFILE	LP SLZ 3	2-5916783-4
AVAILABLE	SEE SHEET 2	90	370	2.79 [.110]	0.00076 [.000030]	FLIP CHIP PGA (FC-PGA) OR PPGA	LOW PROFILE	LP SLZ 3	2-5916783-3
	SEE SHEET 2	90	370	2.36 [.093]	0.00076 [.000030]	FLIP CHIP PGA (FC-PGA) OR PPGA	LOW PROFILE	LP SLZ 3	2-5916783-2
OBSOLETE 9	SEE SHEET 2	90	370	2.03 [.080]	0.00076 [.000030]	FLIP CHIP PGA (FC-PGA) OR PPGA	LOW PROFILE	LP SLZ 3	2-5916783-1
OBSOLETE	SEE SHEET 2	90	370	3.56 [.140]	0.00076 [.000030]	FLIP CHIP PGA (FC-PGA) OR PPGA	LOW PROFILE	LP SLZ 3	2-5916783-0

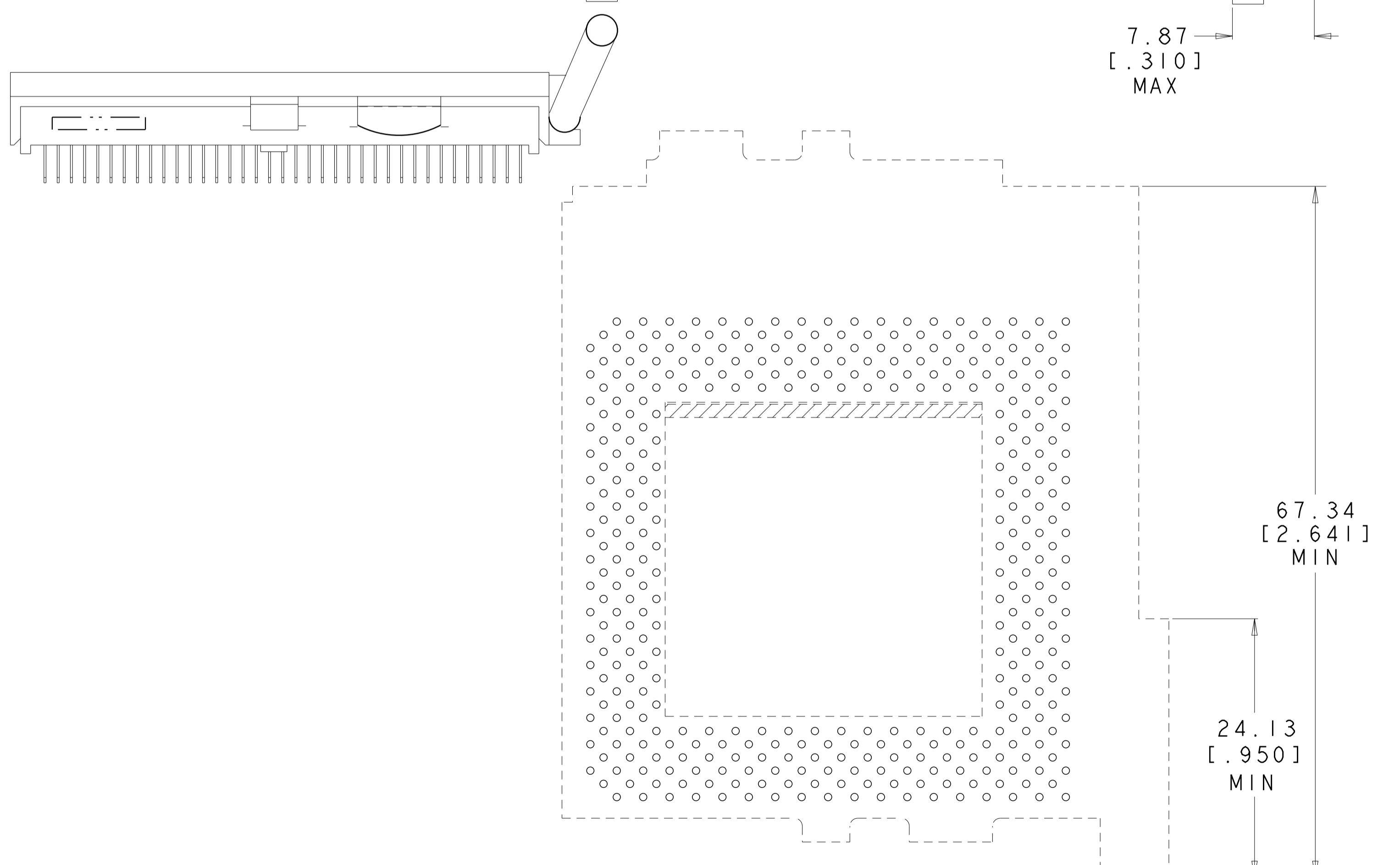
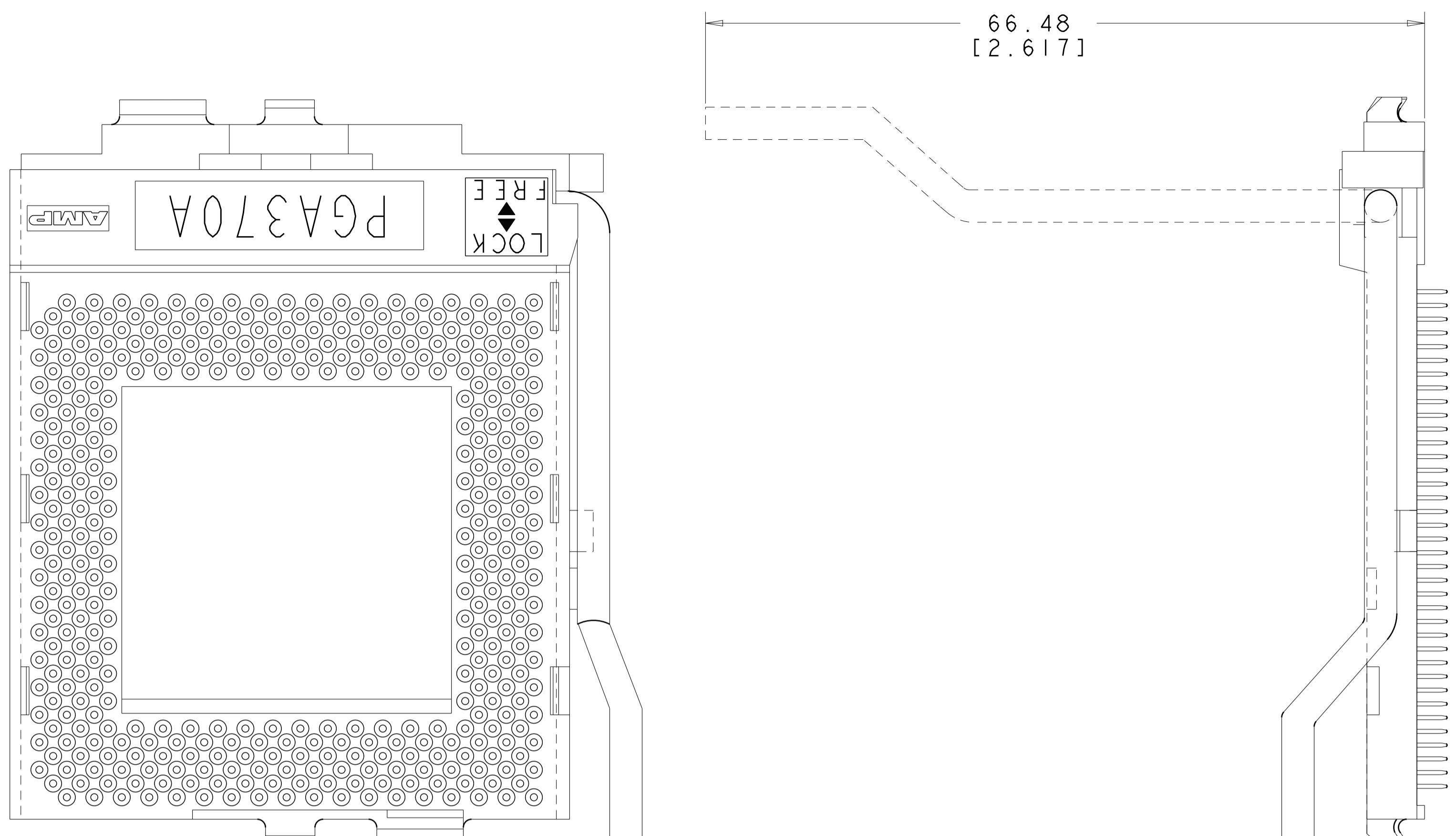
<small>THIS DRAWING IS A CONTROLLED DOCUMENT FOR AMP INCORPORATED. ALL CHANGES TO THIS DRAWING MUST BE APPROVED BY THE ORIGINAL DESIGNER. FOR MORE INFORMATION CONTACT YOUR LOCAL SALES REPRESENTATIVE.</small>		DWN: WYLEE CHK: VINCENT TAN APP'D: SE LEONG PRODUCT SPEC SEE TABLE APPLICATION SPEC SEE TABLE	DATE: 15DEC2004 NAME: SOCKET ASSEMBLY, LOW PROFILE, ZIF PGA, 19 X 19 GRID SIZE: A1 CAGE CODE: 00779 DRAWING NO: 5916783 SCALE: 3:1 SHEET 1 OF 6 REV PI
DIMENSIONS: mm [INCHES] 	TOLERANCES UNLESS OTHERWISE SPECIFIED: 0 PLC ± 1 PLC ±.001 2 PLC ±.001 3 PLC ±.001 4 PLC ±.001 ANGLES ± FINISH	MATERIAL: 1 FINISH: 2	CUSTOMER DRAWING

LOC	DIST	REV	DATE	BY	APPD
DY					



PART NUMBERS 2-5916783-1 THRU 2-5916783-9

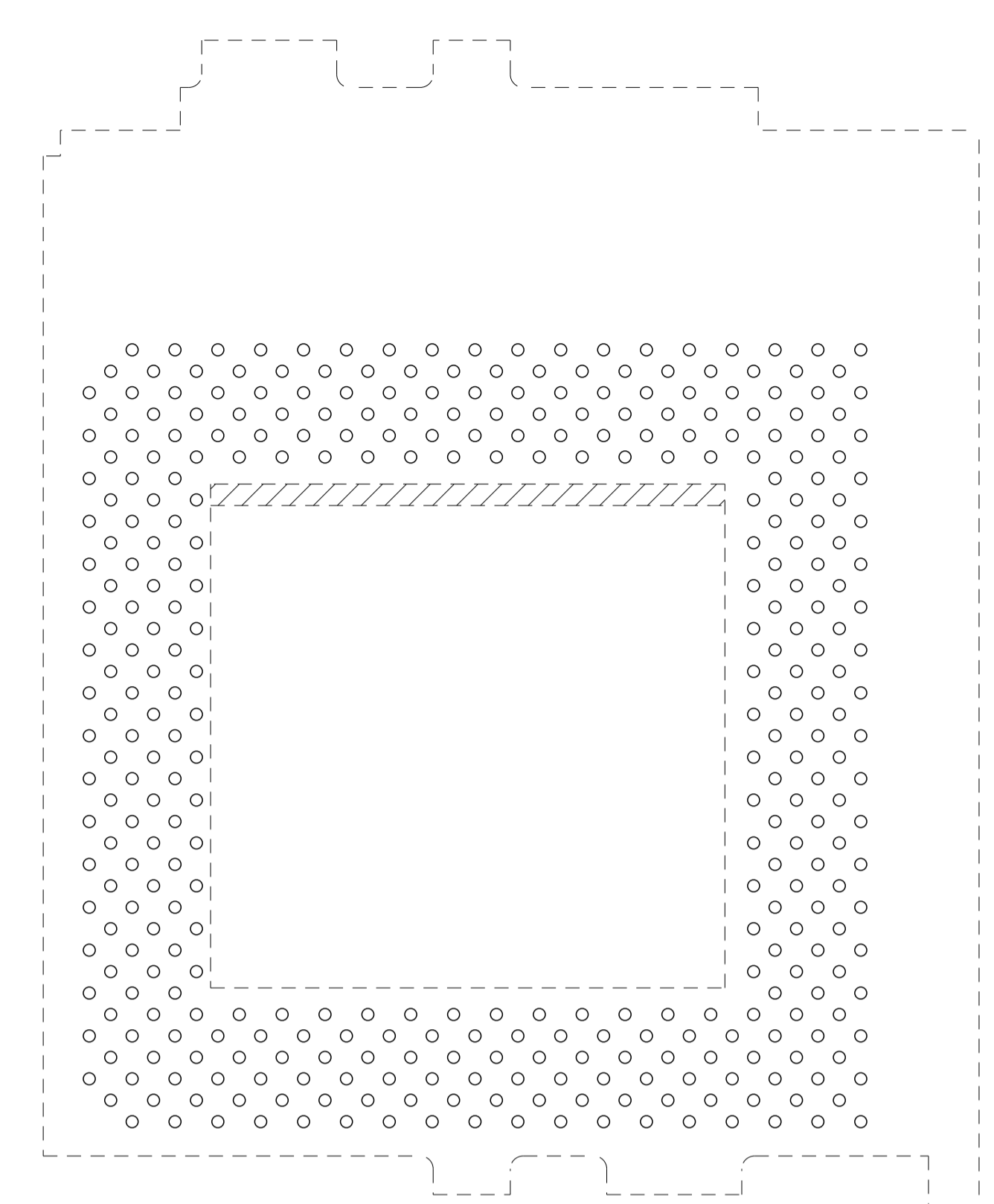
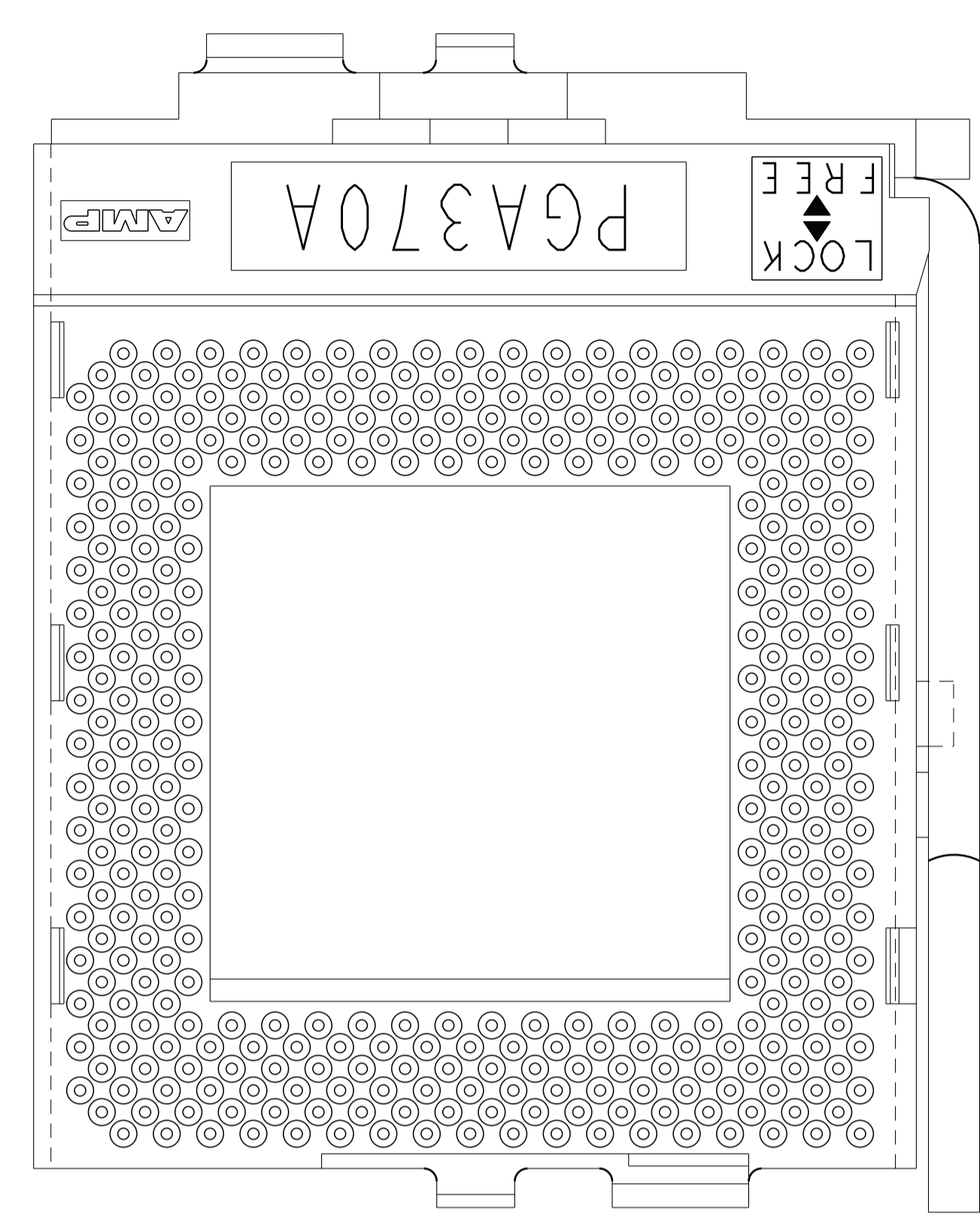
<small>THIS DRAWING IS A CONTROLLED DOCUMENT FOR AMP INCORPORATED. ALL ASPECTS OF THIS DRAWING ARE THE PROPERTY OF AMP INCORPORATED. NO REPRODUCTION OR TRANSMISSION OF THIS DRAWING IS PERMITTED WITHOUT THE WRITTEN PERMISSION OF AMP INCORPORATED. ANY REVISIONS TO THIS DRAWING SHOULD BE CONTACTED FOR THE LATEST REVISION.</small>		DWG: 15DEC2004 CHK: WYLEE APD: VINCENT TAN NAME: SOCKET ASSEMBLY, LOW PROFILE, ZIF PGA, 19 X 19 GRID	TE CONNECTIVITY Singapore
DIMENSIONS: mm [INCHES]	TOLERANCES UNLESS OTHERWISE SPECIFIED: 0 PLC ± 1 PLC ±.001 [0.012] 2 PLC ±.001 [0.012] 3 PLC ±.001 [0.012] 4 PLC ±.001 [0.012] ANGLES ± FINISH ±	PRODUCT SPEC: SEE TABLE APPLICATION SPEC: SEE TABLE WEIGHT: - CUSTOMER DRAWING	SIZE: A1 CAGE CODE: 00779 DRAWING NO: 5916783 SCALE: 3:1 SHEET: 2 of 6 REV: PI



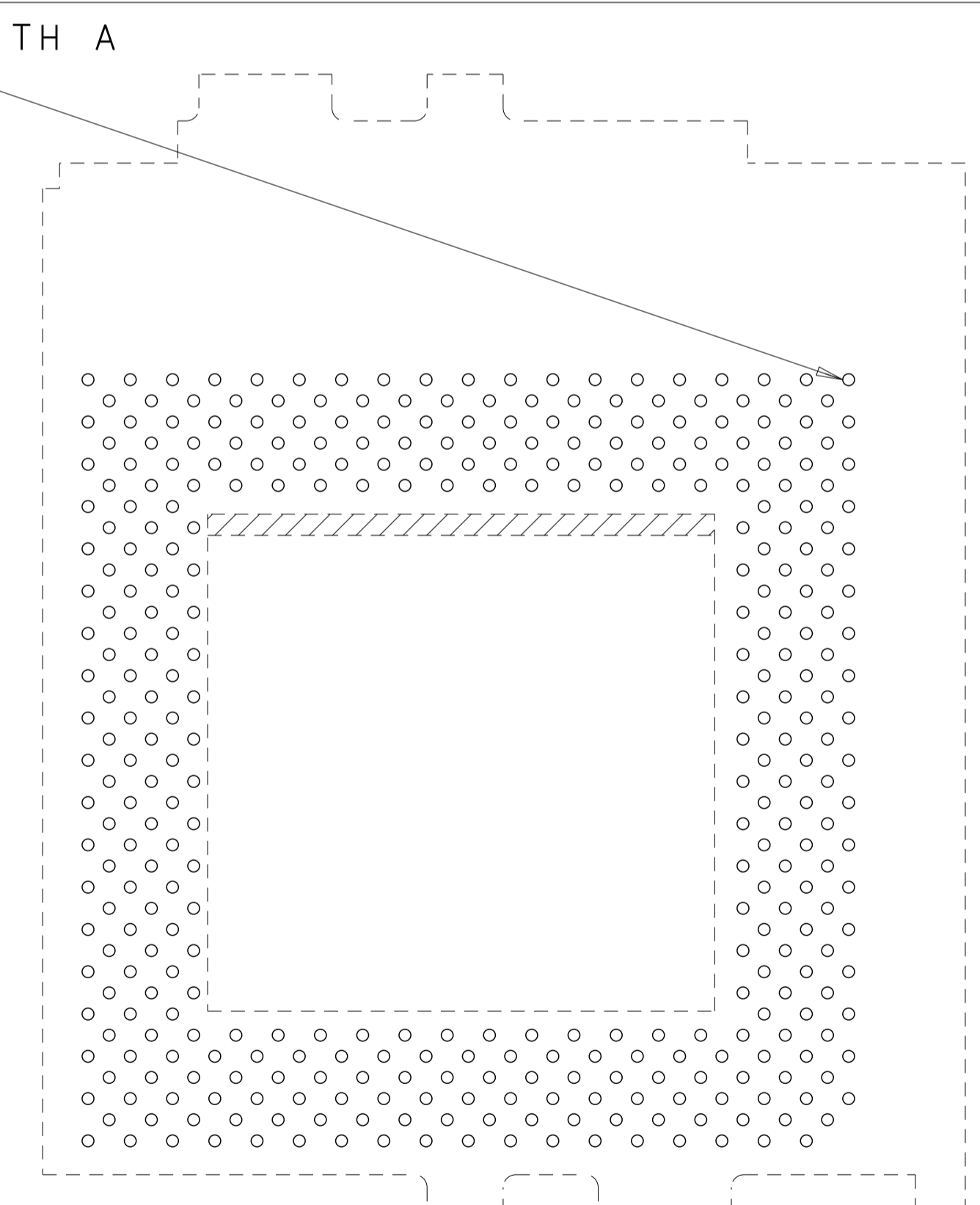
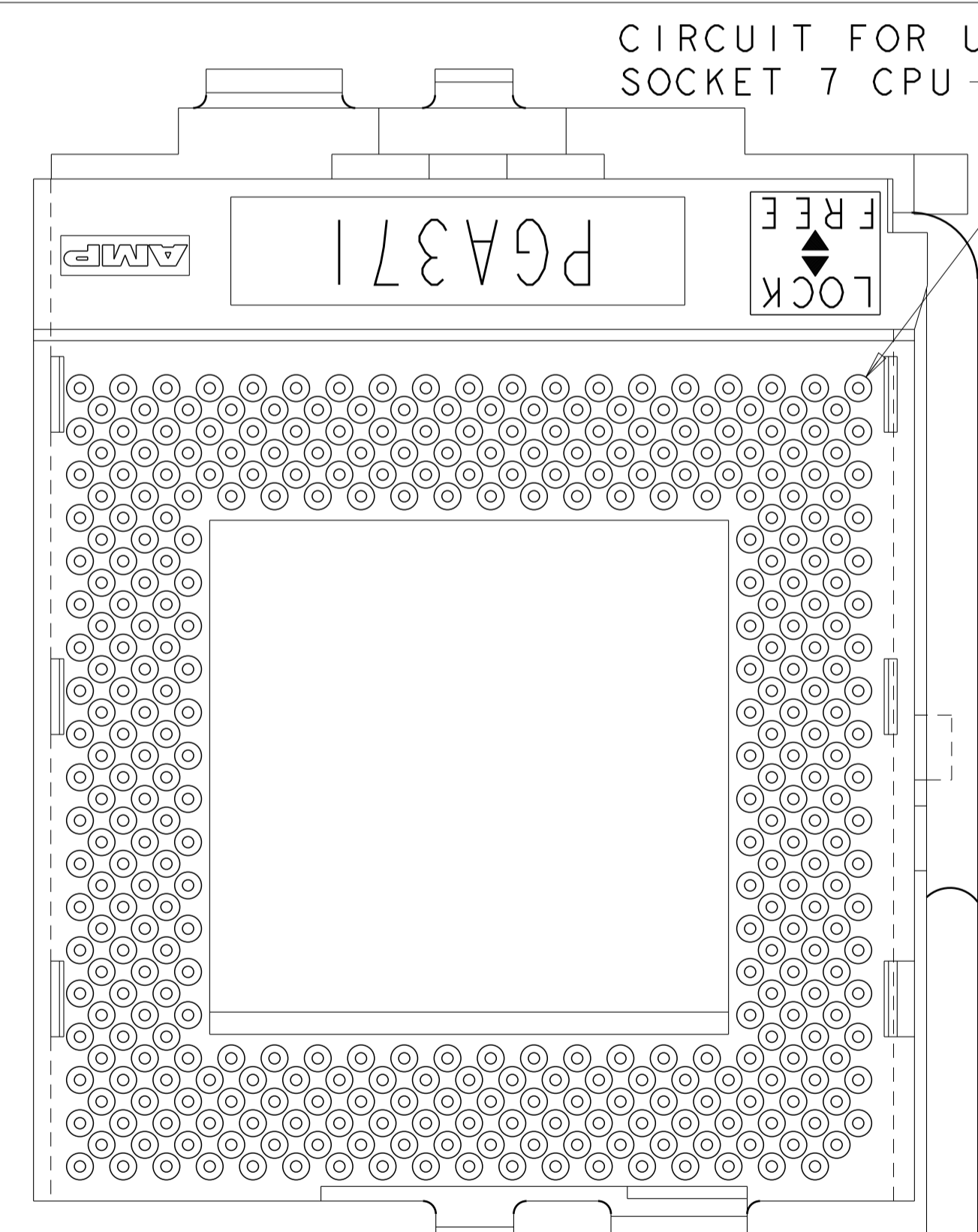
RECOMMENDED PCB HOLE LAYOUT
 6.60 [.260] MIN

PART NUMBER 1-5916783-5
 EXCEPT ROTATED PATTERN, PGA370A LOGO AND HANDLE, ALL OTHER DETAILS SAME AS ON SHEET 2.

LOC	DIST	REVISIONS			
REV	DATE	DESCRIPTION	DATE	BY	APPD
1		SEE TABLE			



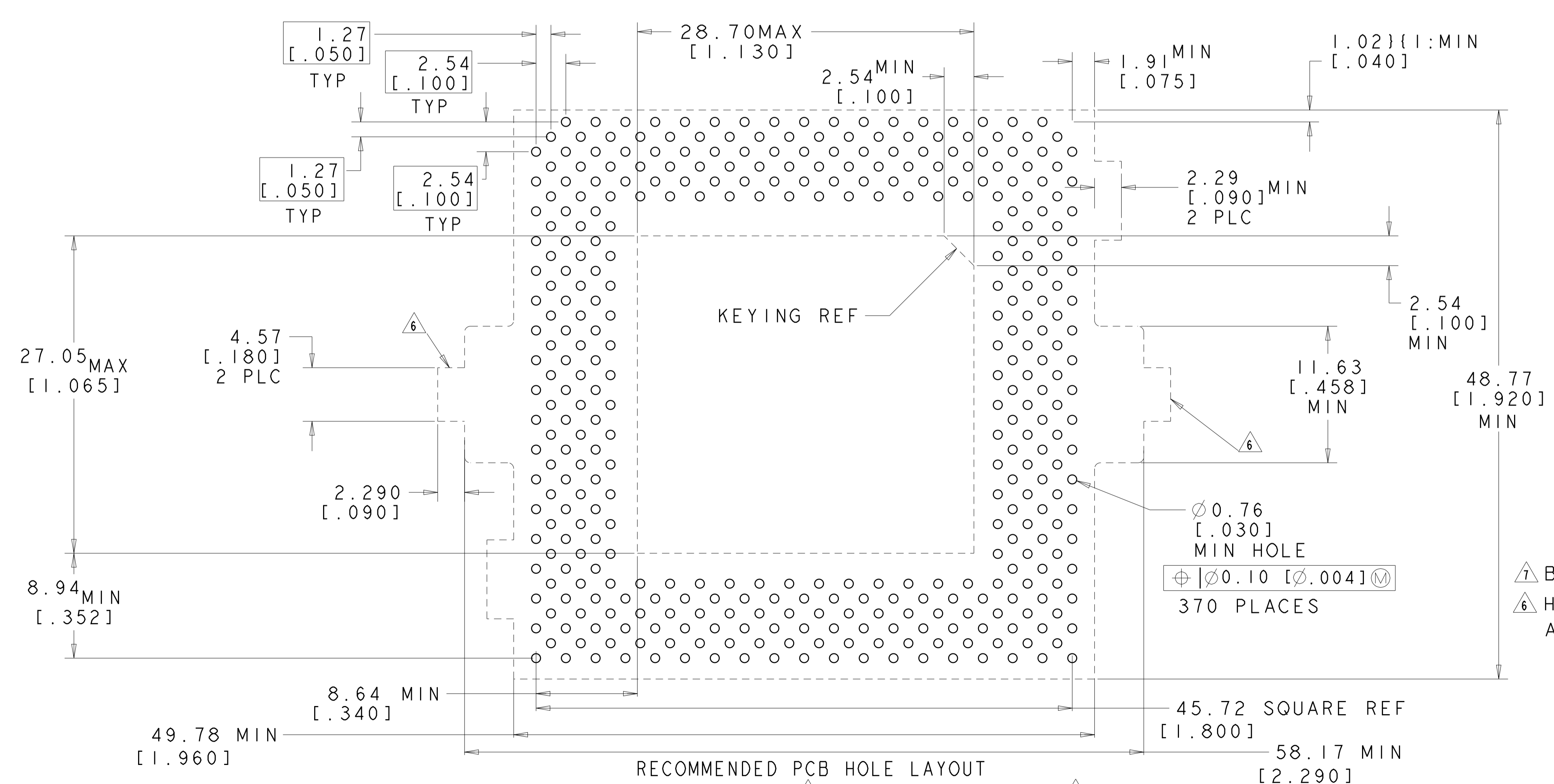
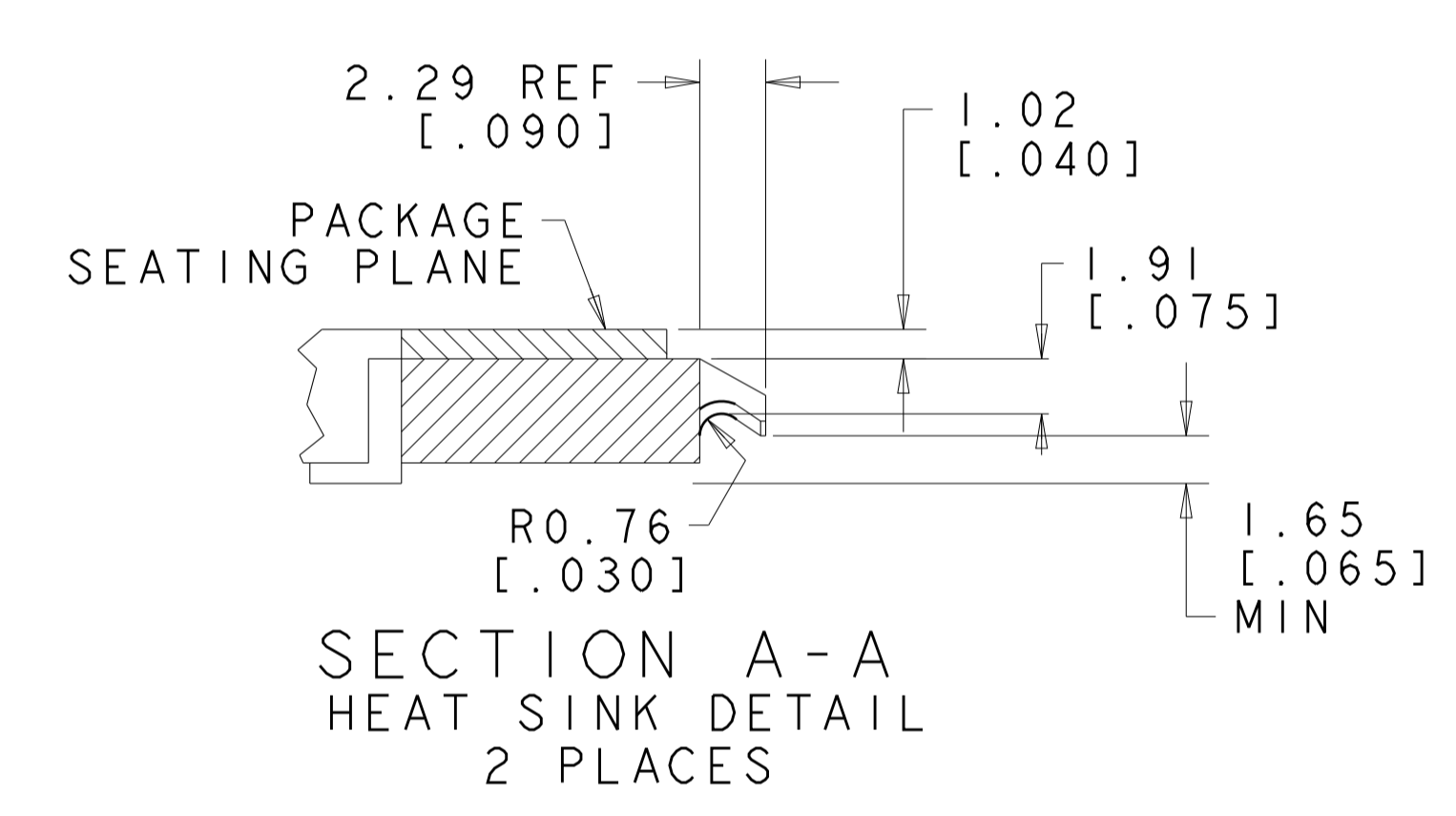
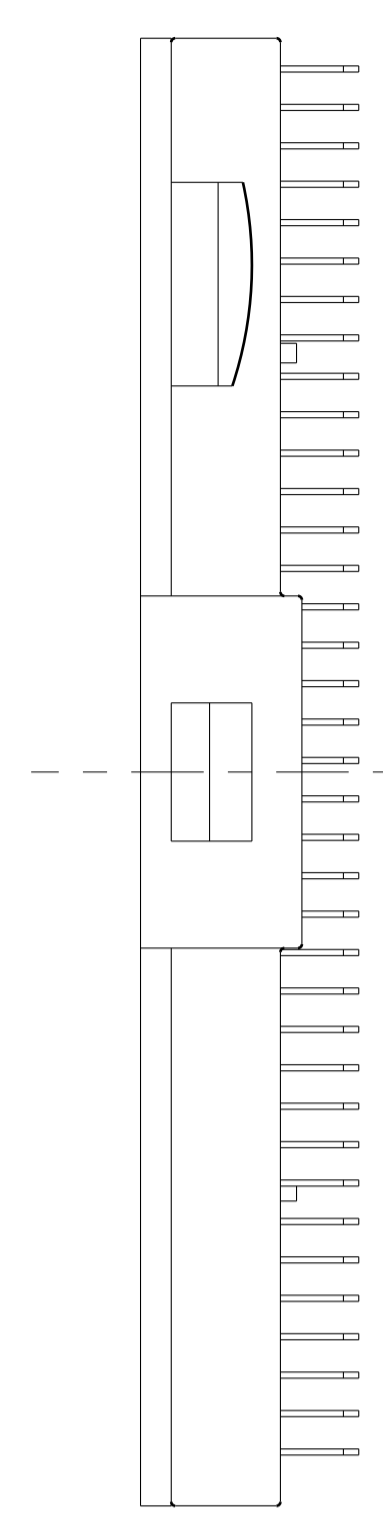
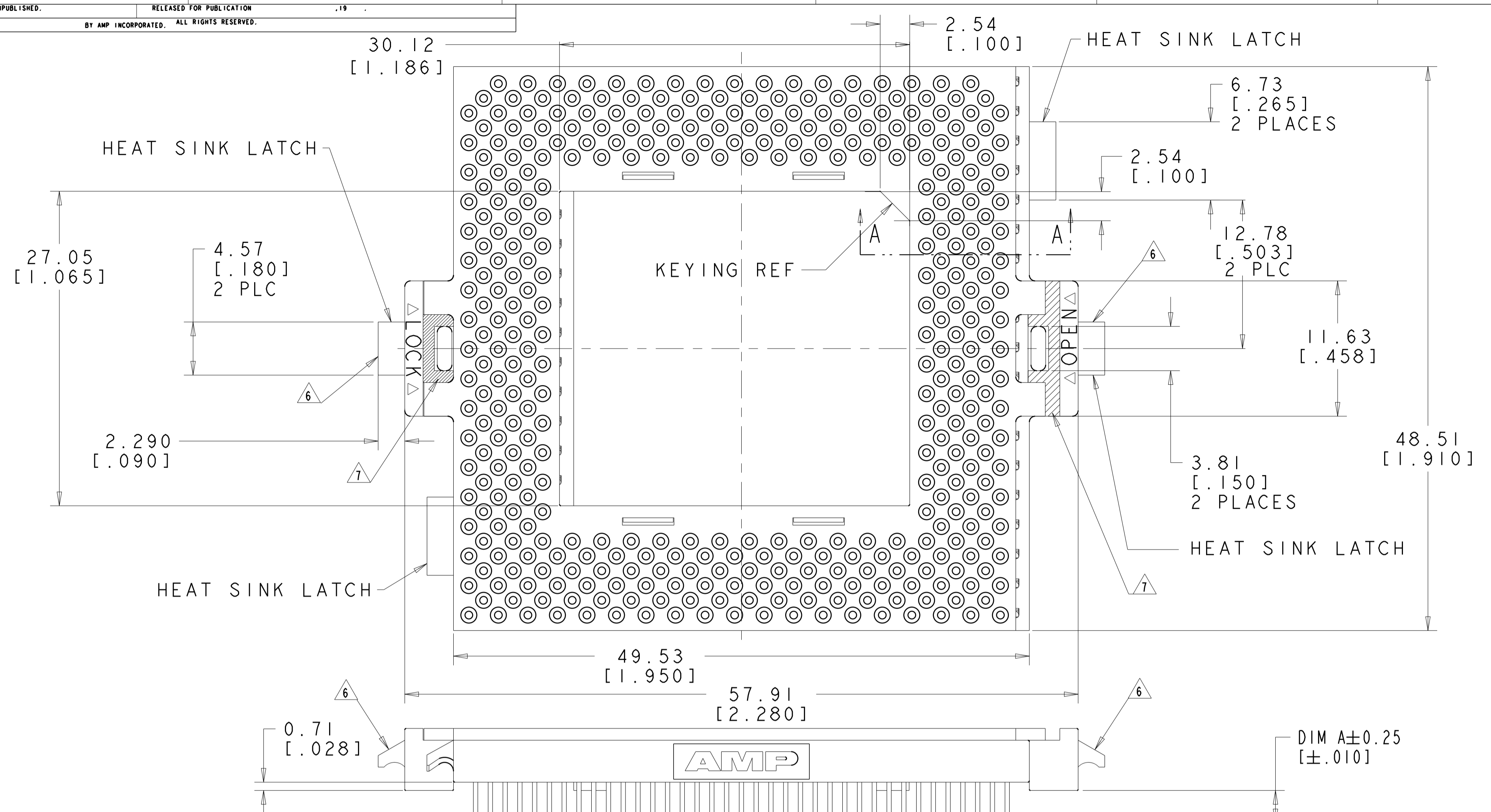
RECOMMENDED PCB HOLE LAYOUT
 PART NUMBER 1-5916783-8
 EXCEPT ROTATED PATTERN AND PGA370A LOGO, ALL OTHER DETAILS SAME AS ON SHEET 2.



RECOMMENDED PCB HOLE LAYOUT
 PART NUMBER 3-5916783-5, 371 POSITIONS
 EXCEPT 371 POSITIONS PATTERN AND PGA371 LOGO, ALL OTHER DETAILS SAME AS ON SHEET 2.

THIS DRAWING IS A CONTROLLED DOCUMENT FOR AMP INCORPORATED. ALL IS SUBJECT TO CHANGE. THE CONTROLLING DOCUMENT ORGANIZATION SHOULD BE CONTACTED FOR THE LATEST REVISION.		DATE: 15DEC2004	DWG NO: 5916783	TE CONNECTIVITY Singapore
DIMENSIONS: mm [INCHES]		TOLERANCES UNLESS OTHERWISE SPECIFIED: 0 PLC ± 1 PLC ±.301 [.012] 2 PLC ± 3 PLC ± 4 PLC ± ANGLES ± FINISH	NAME: VINCENT TAN	PRODUCT SPEC: SEE TABLE
MATERIAL		APPROVED: SE LEONG	SIZE: A1	CAGE CODE: 00779
		APPLICATION SPEC: SEE TABLE	DRAWING NO: 5916783	SCALE: 3:1
		WEIGHT: -	SHEET: 3 of 6	REV: PI
		CUSTOMER DRAWING		

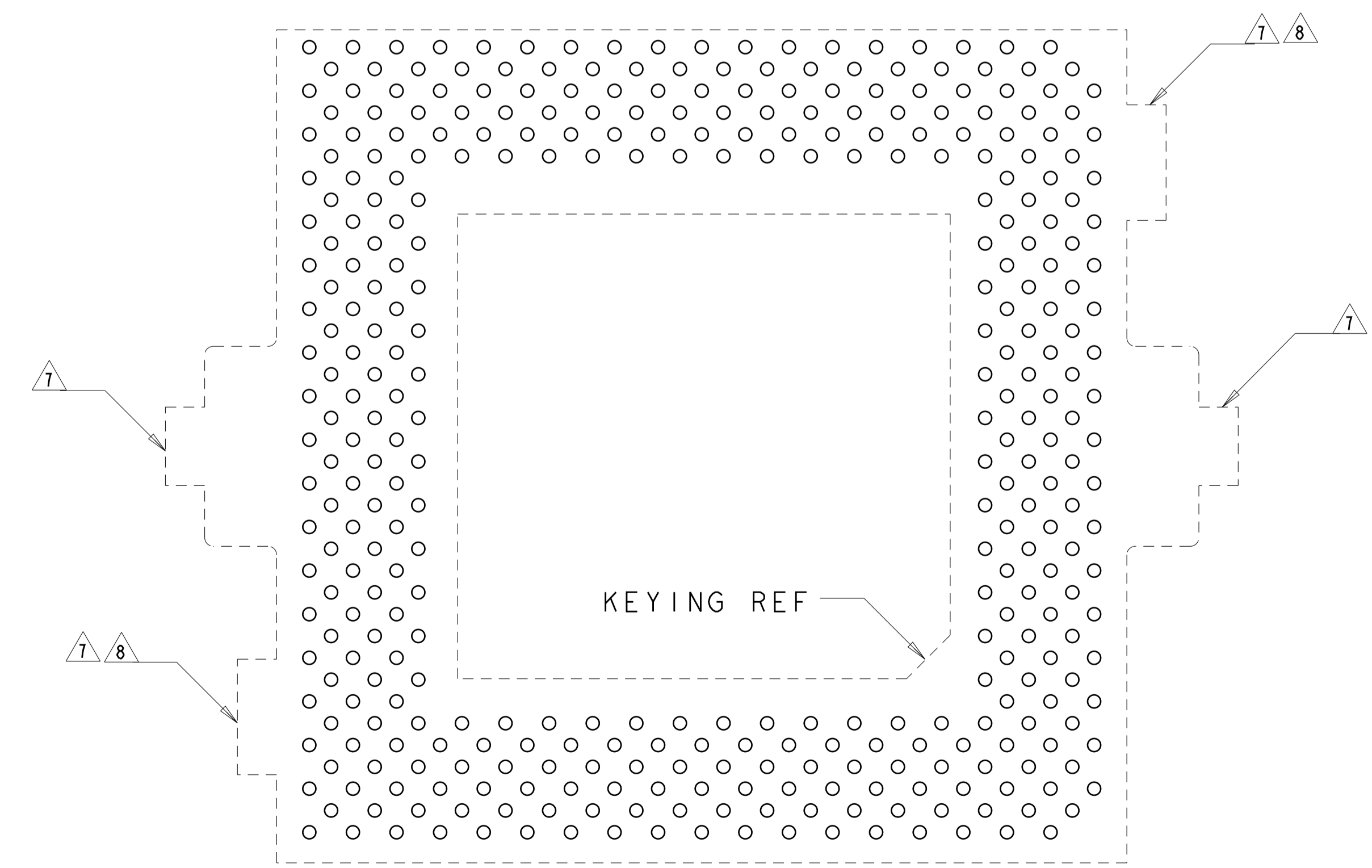
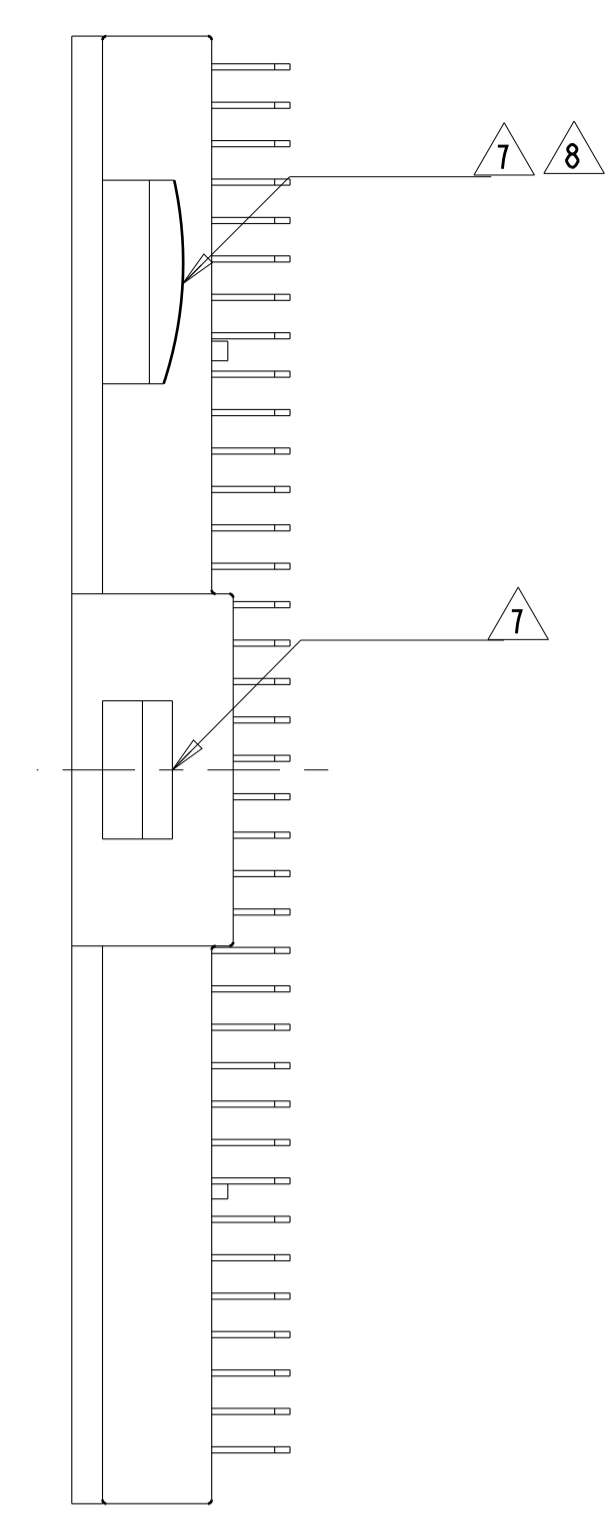
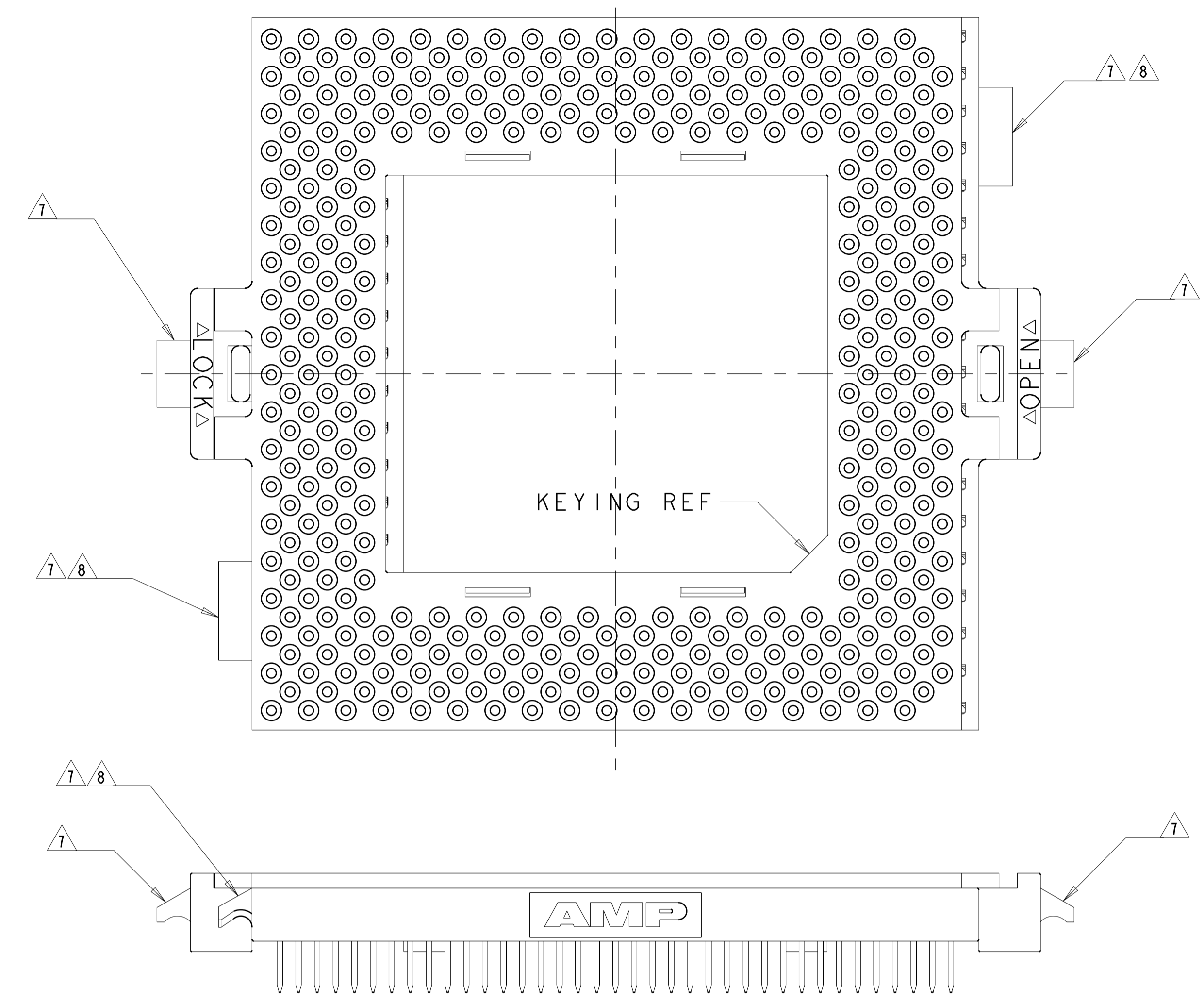
LOC		DIST		REVISIONS			
NO	DATE	BY	APPD	DESCRIPTION	DATE	DWN	APPD
1				SEE TABLE			



⚠ BLACK COLOUR MARKING ON HOUSING P/N: 4-5916783-7 ONLY.
 ⚠ HEAT SINK LATCHES ON 4-5916783-5, 4-5916783-6 AND 4-5916783-7

PART NUMBERS 4-5916783-2, 4-5916783-5 AND 4-5916783-6 & 4-5916783-7

<small>THIS DRAWING IS A CONTROLLED DOCUMENT FOR AMP INCORPORATED. ALL INQUIRIES CONCERNING THIS DRAWING OR THE PRODUCT IT REPRESENTS SHOULD BE CONTACTED FOR THE LATEST REVISION.</small>		DWN: WYLEE 15DEC2004 CHK: VINCENT TAN APD: SE LEONG PRODUCT SPEC: SEE TABLE APPLICATION SPEC: SEE TABLE	NAME: SOCKET ASSEMBLY, LOW PROFILE, ZIF PGA, 19 X 19 GRID SIZE: A1 CAGE CODE: 00779 DRAWING NO: 5916783 SCALE: 3:1
DIMENSIONS: mm [INCHES] 0 PLC ± 1 PLC ±.001 [0.012] 2 PLC ±.001 [0.012] 3 PLC ±.001 [0.012] 4 PLC ±.001 [0.012] ANGLES ±.001 [0.012]	TOLERANCES UNLESS OTHERWISE SPECIFIED: ±.001 [0.012] ±.001 [0.012] ±.001 [0.012] ±.001 [0.012]	MATERIAL: FINISH:	CUSTOMER DRAWING DATE: 15DEC2004 SHEET 4 OF 6 REV PI

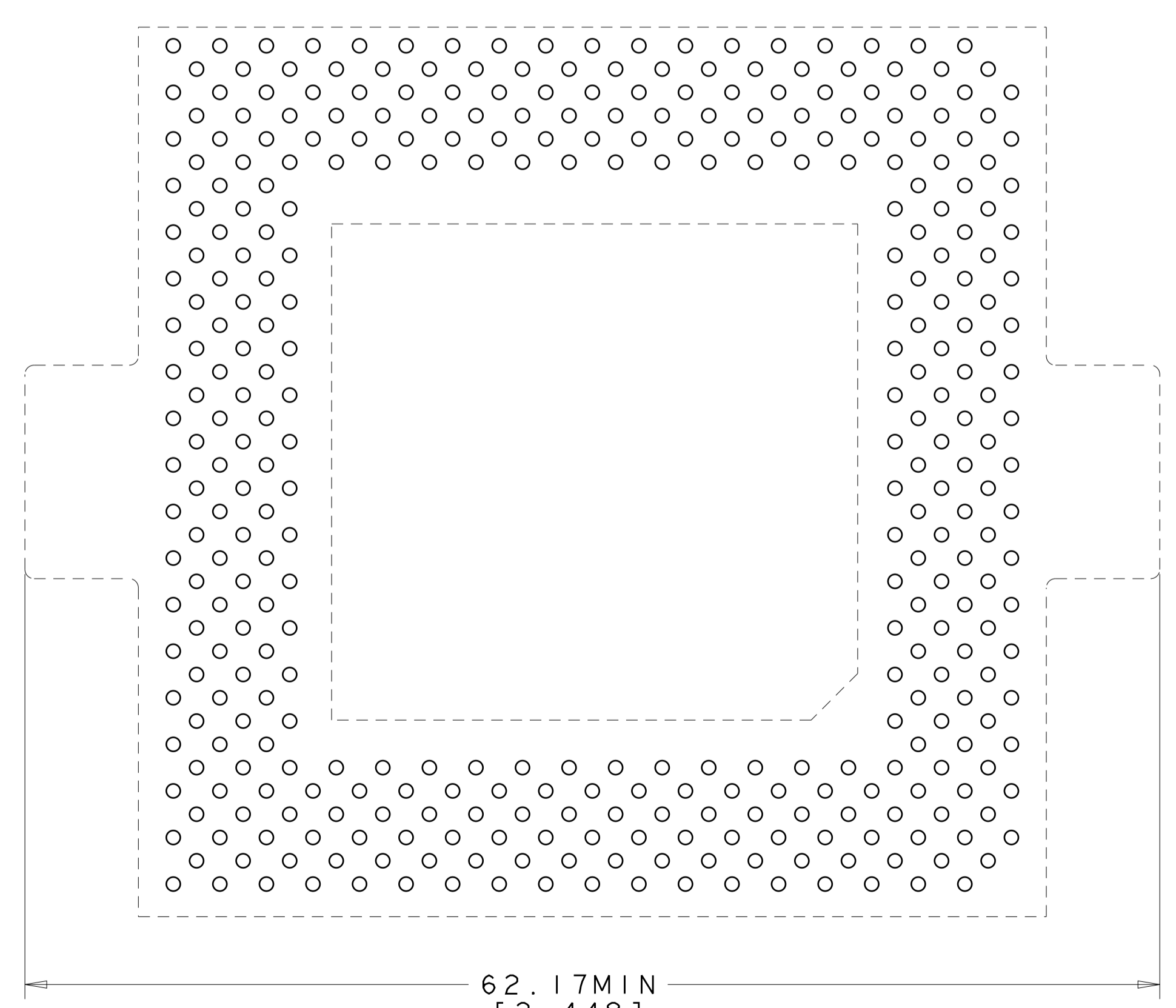
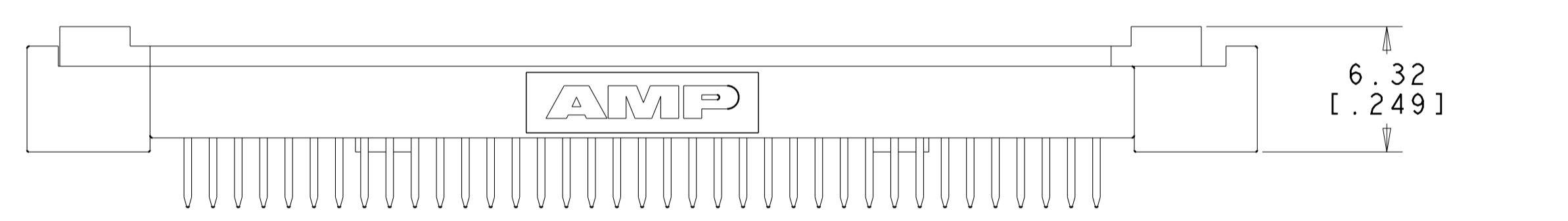
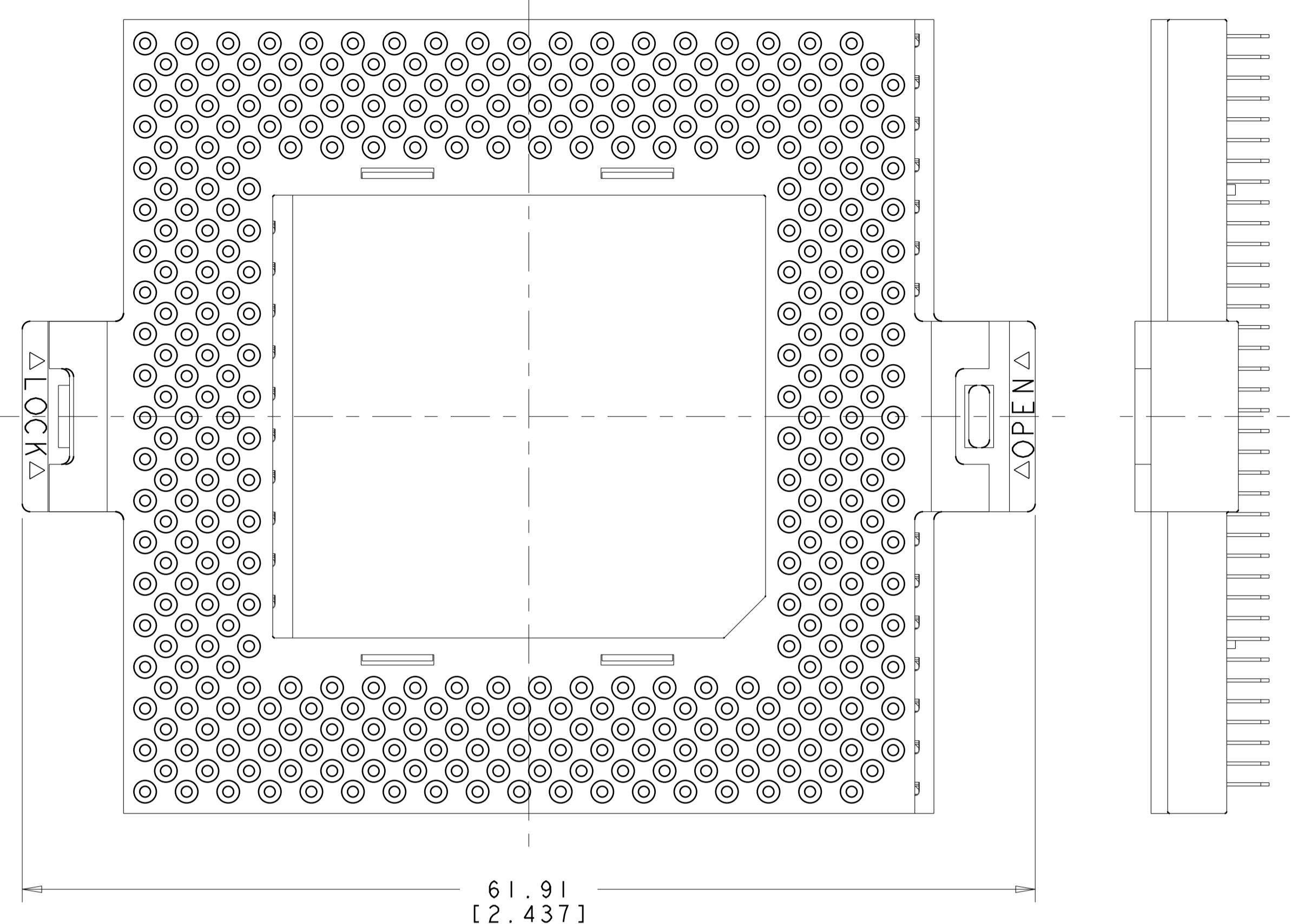


RECOMMENDED PCB HOLE LAYOUT
 PART NUMBERS 5-5916783-2, 5-5916783-5 AND 5-5916783-6
 EXCEPT FOR PATTERN AND ROTATED KEYING
 ALL OTHER DETAILS SAME AS SHEET 4

7 HEAT SINK LATCHES ON 5-5916783-5 ONLY.
 8 HEAT SINK LATCHES ON 5-5916783-6 ONLY

<small>THIS DRAWING IS A CONTROLLED DOCUMENT FOR AMP INCORPORATED. ALL ASPECTS OF THE DRAWING, INCLUDING THE CONTROLLING LINE NUMBER, ORGANIZATION SHOULD BE CONTROLLED FOR THE LATEST REVISION.</small>		DWN: WYLEE 15DEC2004 CHK: VINCENT TAN APD: SE LEONG PRODUCT SPEC: SEE TABLE APPLICATION SPEC: SEE TABLE	NAME: SOCKET ASSEMBLY, LOW PROFILE, ZIF PGA, 19 X 19 GRID SIZE: A1 CAGE CODE: 00779 DRAWING NO: 5916783
DIMENSIONS: mm [INCHES] 0 PLG ± 1 PLG ± 2 PLG ±0.301 (0.121) 3 PLG ± 4 PLG ± ANGLES ± FINISH ±	TOLERANCES UNLESS OTHERWISE SPECIFIED: 0 PLG ± 1 PLG ± 2 PLG ±0.301 (0.121) 3 PLG ± 4 PLG ± ANGLES ± FINISH ±	WEIGHT: - CUSTOMER DRAWING	SCALE: 3:1 SHEET: 5 of 6 REV: PI

LOC	DIST	REVISIONS			
REV	DATE	DESCRIPTION	DATE	DWN	APPD
1		SEE TABLE			



RECOMMENDED PCB HOLE LAYOUT

PART NUMBER 6-5916783-1

EXCEPT FOR PATTERN, ROTATED KEYING, NO HEAT SINK LATCHES AND EXTENDED ACTUATION TABS,
 ALL OTHER DETAILS SAME AS 4-5916783-2

<small>THIS DRAWING IS A CONTROLLED DOCUMENT FOR AMP INCORPORATED. ALL CHANGES MUST BE APPROVED BY THE CONTROLLING ENGINEERING ORGANIZATION. SHOULD BE CONTACTED FOR THE LATEST REVISION.</small>		DWN: WYLEE 15DEC2004 CBY: VINCENT TAN	TE CONNECTIVITY Singapore
DIMENSIONS: mm [INCHES]	TOLERANCES UNLESS OTHERWISE SPECIFIED: 0 PLC ± 1 PLC ± 2 PLC ±0.301 (0121) 3 PLC ± 4 PLC ± ANGLES ± FINISH	NAME: SE LEONG PRODUCT SPEC: SEE TABLE APPLICATION SPEC: SEE TABLE	NAME: SOCKET ASSEMBLY, LOW PROFILE, ZIF PGA, 19 X 19 GRID
MATERIAL:	FINISH:	WEIGHT: - CUSTOMER DRAWING	SIZE: A1 CAGE CODE: 00779 DRAWING NO: 5916783 SCALE: 3:1 SHEET: 6 of 6 REV: PI