



Chipsmall Limited consists of a professional team with an average of over 10 year of expertise in the distribution of electronic components. Based in Hongkong, we have already established firm and mutual-benefit business relationships with customers from,Europe,America and south Asia,supplying obsolete and hard-to-find components to meet their specific needs.

With the principle of “Quality Parts,Customers Priority,Honest Operation,and Considerate Service”,our business mainly focus on the distribution of electronic components. Line cards we deal with include Microchip,ALPS,ROHM,Xilinx,Pulse,ON,Everlight and Freescale. Main products comprise IC,Modules,Potentiometer,IC Socket,Relay,Connector.Our parts cover such applications as commercial,industrial, and automotives areas.

We are looking forward to setting up business relationship with you and hope to provide you with the best service and solution. Let us make a better world for our industry!



## Contact us

Tel: +86-755-8981 8866 Fax: +86-755-8427 6832

Email & Skype: info@chipsmall.com Web: www.chipsmall.com

Address: A1208, Overseas Decoration Building, #122 Zhenhua RD., Futian, Shenzhen, China



4

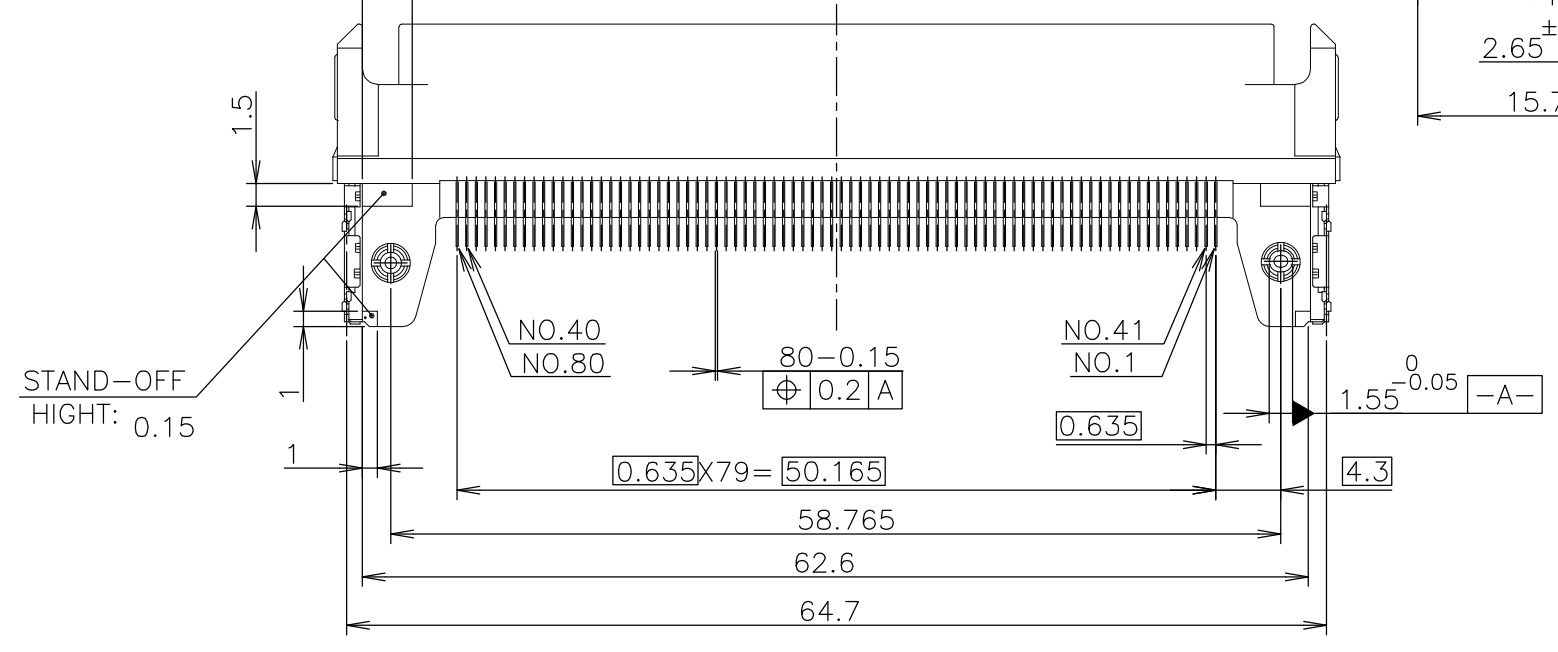
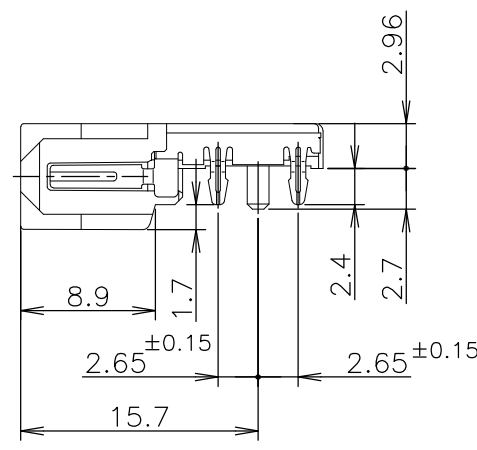
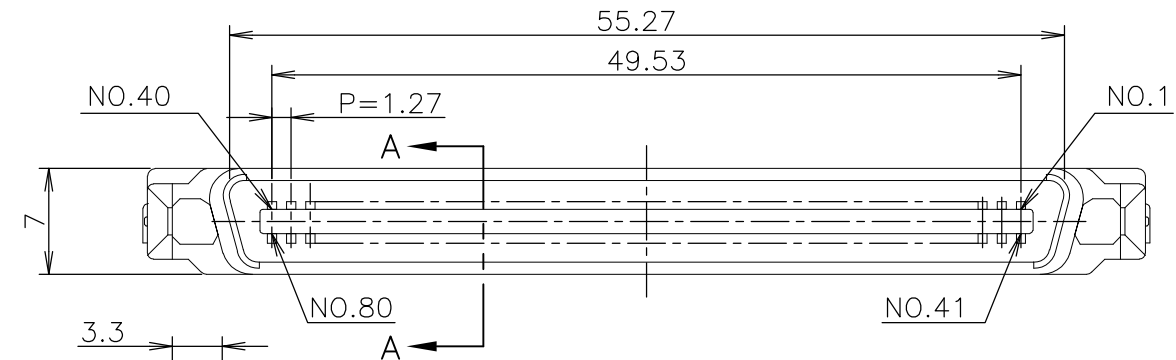
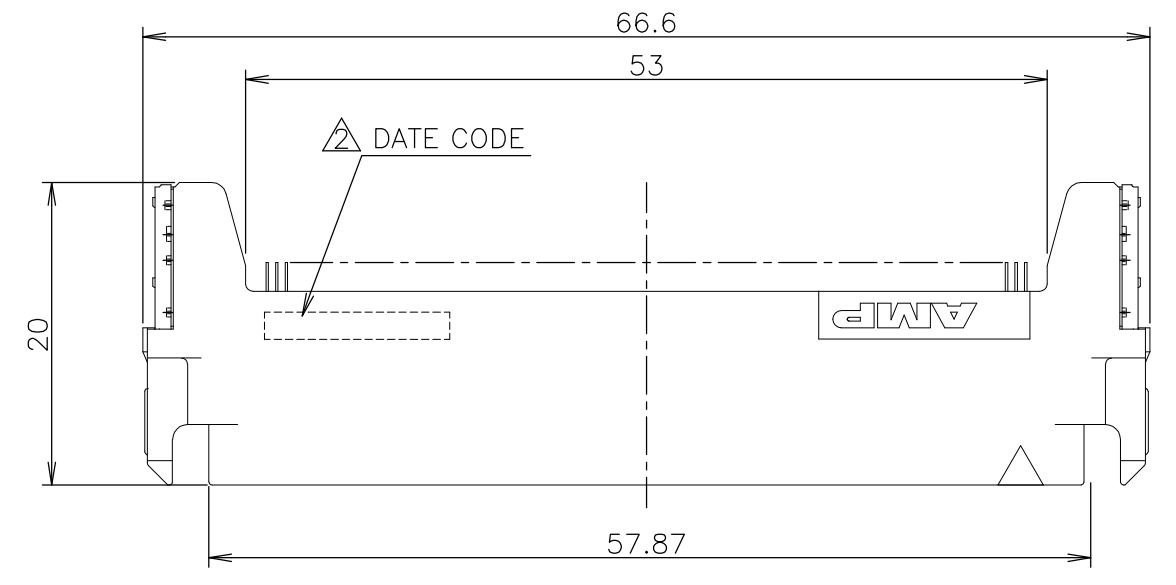
3

2

1

THIS DRAWING IS UNPUBLISHED. RELEASED FOR PUBLICATION FEB , 1995.  
 © COPYRIGHT 1995 By - ALL RIGHTS RESERVED.

LOC	DIST	REVISIONS 變更					
J		P	LTR	DESCRIPTION	DATE	DWN	APVD
		B		RELEASED ECO-12-012349	12MAR13	BL	AC



- △ MATERIAL
  - (1) HOUSING: LCP(UL94V-0, BLACK)
  - (2) CONTACTS: PHOSPHOR BRONZE  
FINISH: CONTACT AREA: Au PL. OVER 1μm MIN. Ni PL..  
SOLDERING AREA: 1μm MIN TIN OVER 1μm MIN. Ni PL..
  - (3) G-CONT. WITH RETENTION-LEG: BRASS  
FINISH: 1μm MIN TIN PL. OVER 1μm MIN. Ni PL..
- △ INDICATE DATE CODE.

0.76um MIN.	5-5917593-9
0.2um MIN.	5917593-9
CONT.AREA Au PL. THK.	PART NO.

THIS DRAWING IS A CONTROLLED DOCUMENT.

DWN	WENKE HE	9MAR05
CHK	STEVEN YAO	9MAR05
APVD	I.ENOMOTO	9MAR05
NAME	I.ENOMOTO	
PRODUCT SPEC	製品規格	
APPLICATION SPEC	取付適用規格	
WEIGHT		

STE TE Connectivity

PLUG ASSY SMT TYPE  
CHAMP.050 I, BLINDMATE, WITH G-CONT.

SIZE	CAGE CODE	DRAWING NO	RESTRICTED TO
A3	00779	G-5917593	

CUSTOMER DRAWING

SCALE 尺度 NTS SHEET 1 OF 2 REV B

GENERAL TOLERANCE  
 10 ≥ \* : ±0.2  
 30 ≥ \* > 10 : ±0.25  
 100 ≥ \* > 30 : ±0.3  
 ANGLES: ±3°

DIMENSIONS: 單位: 耗 mm	TOLERANCES UNLESS OTHERWISE SPECIFIED: 一般公差
0 PLC ±	1 PLC ±
2 PLC ±	3 PLC ±
4 PLC ±	ANGLES ±
MATERIAL 材料	FINISH 仕上

THIS DRAWING IS UNPUBLISHED.

RELEASED FOR PUBLICATION FEB ,1995.

© COPYRIGHT 1995 By -

ALL RIGHTS RESERVED.

LOC J DIST

REVISIONS

变更

DESCRIPTION

DATE

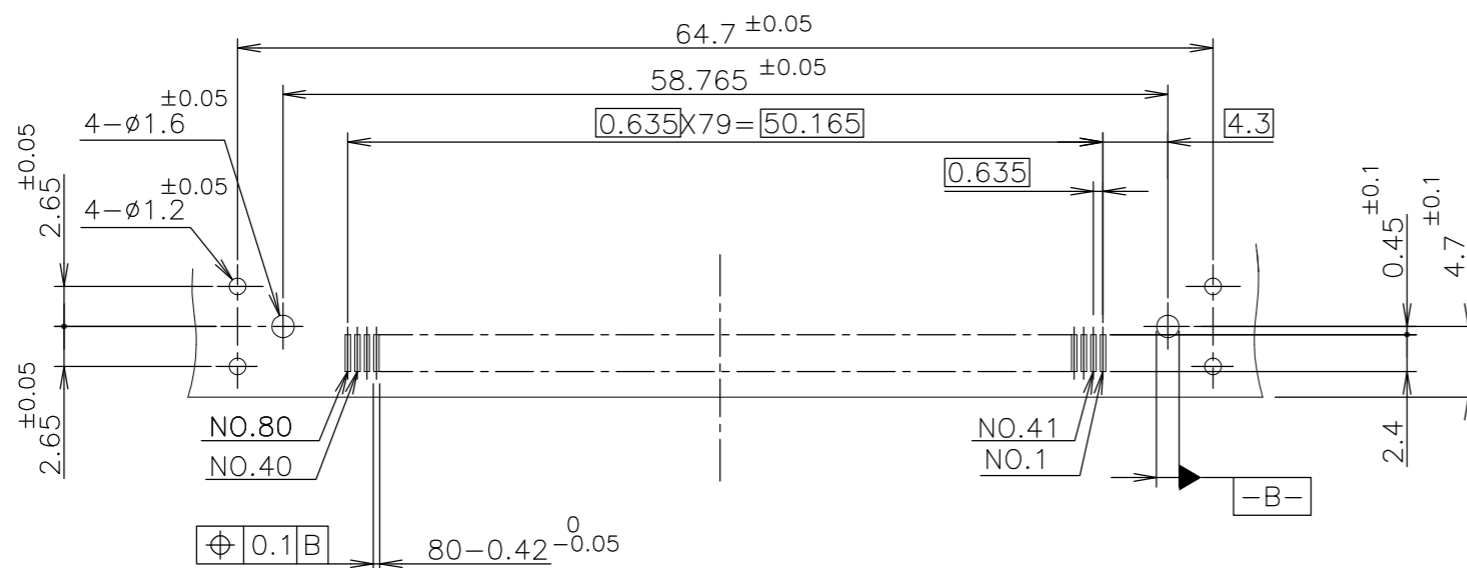
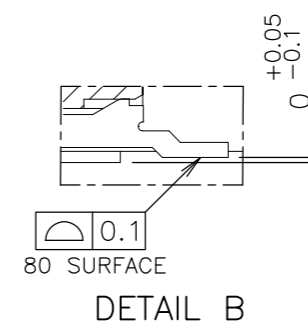
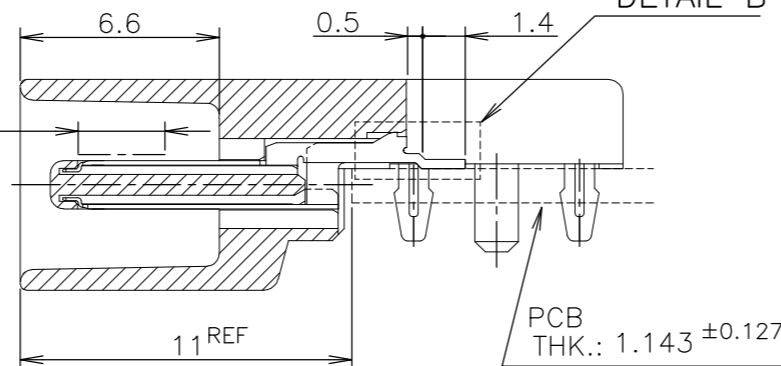
DWN

APVD

SEE SHEET 1

MIN. Au PL. AREA

DETAIL B

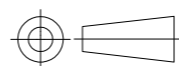


RECOMMENDED PCB LAYOUT

THIS DRAWING IS A CONTROLLED DOCUMENT.

DIMENSIONS: 单位: 耗 mm

TOLERANCES UNLESS OTHERWISE SPECIFIED: 一般公差



- 0 PLC ±
- 1 PLC ±
- 2 PLC ±
- 3 PLC ±
- 4 PLC ±
- ANGLES ±

MATERIAL 材料 SEE SHEET 1

FINISH 仕上 SEE SHEET 1

GENERAL TOLERANCE

10 ≥ \* : ±0.2

30 ≥ \* > 10 : ±0.25

100 ≥ \* > 30 : ±0.3

ANGLES : ±3°

DWN
CHK
APVD
PRODUCT SPEC 製品規格
APPLICATION SPEC 取付適用規格
WEIGHT
CUSTOMER DRAWING



NAME 名称

PLUG ASSY SMT TYPE

CHAMP.050 I, BLINDMATE, WITH G-CONT.

SIZE	CAGE CODE	DRAWING NO 番号	RESTRICTED TO
A3	00779	C-5917593	

SCALE 尺度	NTS	SHEET	2 OF 2	REV	B
----------	-----	-------	--------	-----	---