



Chipsmall Limited consists of a professional team with an average of over 10 year of expertise in the distribution of electronic components. Based in Hongkong, we have already established firm and mutual-benefit business relationships with customers from,Europe,America and south Asia,supplying obsolete and hard-to-find components to meet their specific needs.

With the principle of “Quality Parts,Customers Priority,Honest Operation,and Considerate Service”,our business mainly focus on the distribution of electronic components. Line cards we deal with include Microchip,ALPS,ROHM,Xilinx,Pulse,ON,Everlight and Freescale. Main products comprise IC,Modules,Potentiometer,IC Socket,Relay,Connector.Our parts cover such applications as commercial,industrial, and automotives areas.

We are looking forward to setting up business relationship with you and hope to provide you with the best service and solution. Let us make a better world for our industry!



## Contact us

Tel: +86-755-8981 8866 Fax: +86-755-8427 6832

Email & Skype: info@chipsmall.com Web: www.chipsmall.com

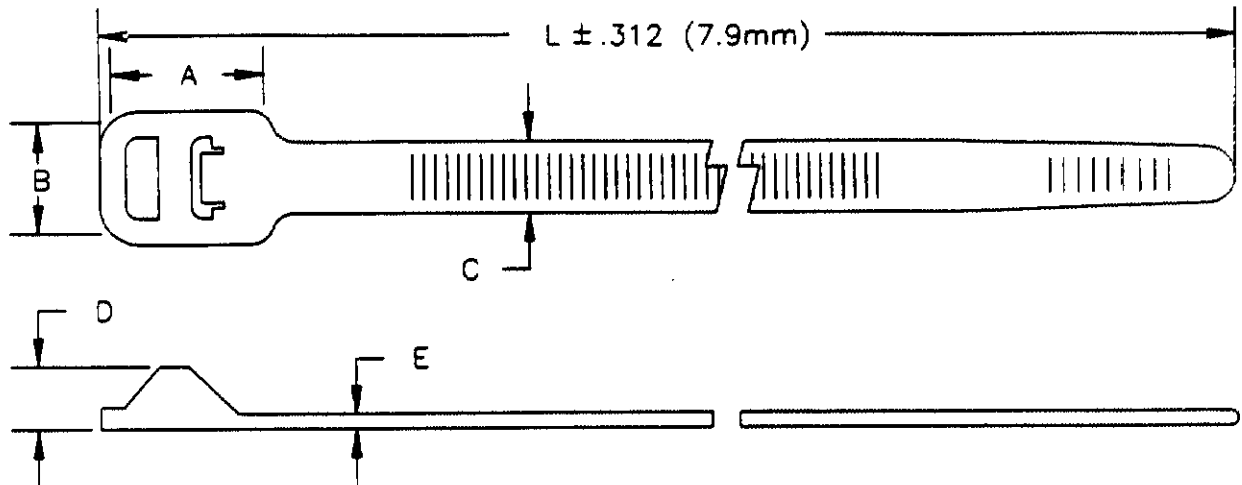
Address: A1208, Overseas Decoration Building, #122 Zhenhua RD., Futian, Shenzhen, China



DWG NO. 608689

UNIT OF MEASURE	A	B	C	D	E	L	MAX. BUNDLE DIA.	MIN. TENSILE STRENGTH
INCHES	.882	.781	.492	.365	.074	20.33	5.0	250 lbs.
MM	22.4	19.8	12.5	9.3	1.9	516.4	127.0	113.4 kg.

THIS INFORMATION IS CONFIDENTIAL AND IS DISCLOSED TO YOU ON CONDITION THAT NO FURTHER DISCLOSURE IS MADE BY YOU TO OTHER THAN AMP PERSONNEL WITHOUT WRITTEN AUTHORIZATION FROM AMP INCORPORATED, HARRISBURG, PA.



NOTES:

1. MOISTURIZED 1 TO 2.5% WATER.
2. PACKAGED IN HEAT SEALED 3 MIL POLYBAG WITH LABEL PER DWG 404707.

CUSTOMER DRAWING UNPUBLISHED

APC ENGINEERING

JUL 13 1990

ISSUED BY *acu*

LOC D	5-608689-0		BLACK 25 LTY5B	
DIST 1	DWG SIZE	PART No.	DESCRIPTION	ITEM NO
QTY. REQ'D. PER ASSY.		REVISION OF EACH ASSY NO. (WHEN BLANK, USE DWG REVISION)		
PARTS LIST				
MATERIAL NYLON 6/6		HEAT TREAT		FINISH
DIMENSIONS ARE IN INCHES		DRAWN BY: AD-TEK/VL		DATE: 7/3/90
TOLERANCES UNLESS OTHERWISE SPECIFIED: 2 PL DEC ± 3 PL DEC ± .039 4 PL DEC ±		CHECK BY: BJM 7/90		APPROVED BY: J. Hamed 7/5/90
ANGLES ±		AMP INCORPORATED Harrisburg, Pa.		
SURF TEXTURE: J		NAME: NON-RELEASABLE LASHING TIE 20 INCH		
REMOVE BURRS, BREAK SHARP EDGES .015 R. MAX.				
✓	0	ECN 062890	7/90	7/90
P	F	LTR	REVISION RECORD	APP DATE
SCALE: A		DRAWING No.: 608689		SHEET: 1 OF 1
				REV: 0