



Chipsmall Limited consists of a professional team with an average of over 10 year of expertise in the distribution of electronic components. Based in Hongkong, we have already established firm and mutual-benefit business relationships with customers from,Europe,America and south Asia,supplying obsolete and hard-to-find components to meet their specific needs.

With the principle of “Quality Parts,Customers Priority,Honest Operation,and Considerate Service”,our business mainly focus on the distribution of electronic components. Line cards we deal with include Microchip,ALPS,ROHM,Xilinx,Pulse,ON,Everlight and Freescale. Main products comprise IC,Modules,Potentiometer,IC Socket,Relay,Connector.Our parts cover such applications as commercial,industrial, and automotives areas.

We are looking forward to setting up business relationship with you and hope to provide you with the best service and solution. Let us make a better world for our industry!



## Contact us

Tel: +86-755-8981 8866 Fax: +86-755-8427 6832

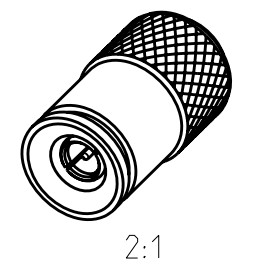
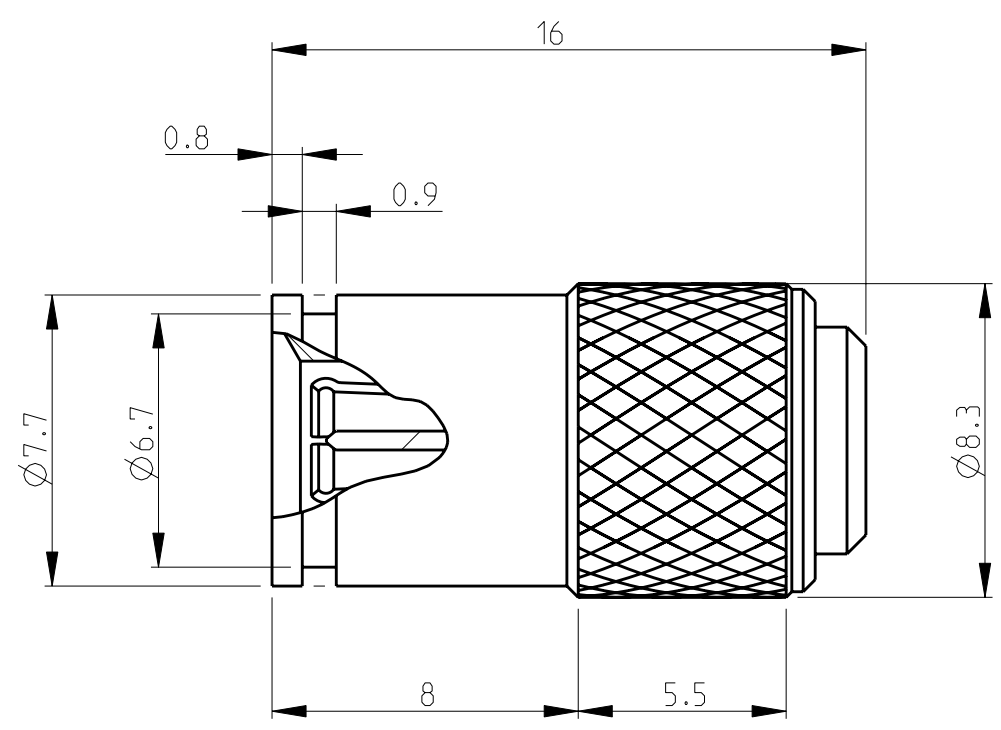
Email & Skype: info@chipsmall.com Web: www.chipsmall.com

Address: A1208, Overseas Decoration Building, #122 Zhenhua RD., Futian, Shenzhen, China



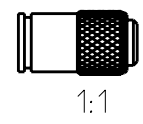
THIS DRAWING IS UNPUBLISHED. RELEASED FOR PUBLICATION 2005  
 © COPYRIGHT 2005 BY TYCO ELECTRONICS CORPORATION. ALL RIGHTS RESERVED.

LOC	DIST	REVISIONS					
		P	LTR	DESCRIPTION	DATE	DWN	APVD
IS	-		A	Update for production	15MAR2006	RLU	DB
			A1	Join correction	16NOV2006	MS	DB
			B	Improved RF Performances, changed body length	16NOV2009	MG	DB



- 1) Dimensions of mating face according to IEC 169-29 and CECC 22230
- 2) DIN ISO 8015 ; DIN ISO 2768-m-H
- 3) ONE PLUG PACKED IN PLASTIC BAG
- 4) 500 PLUGS PACKED IN CARTON BOX

1	1	3	DIELECTRIC	PTFE	-
1	1	2	OUTER CONDUCTOR	Brass	Gold Plated
1	1	1	CENTER CONDUCTOR	CuZn	Gold Plated
5--1	-1	ITEM	DESCRIPTION	MATERIAL	PLATING
4	ORDER N°	3	ORDER N°		



<small>THIS DRAWING IS A CONTROLLED DOCUMENT FOR TYCO ELECTRONICS CORPORATION          IT IS SUBJECT TO CHANGE AND THE CONTROLLING ENGINEERING ORGANIZATION          SHOULD BE CONTACTED FOR THE LATEST REVISION.</small>		DWN R.Luppi 23MAR2005 CHK D. Bozzer 23MAR2005 APVD - PRODUCT SPEC 108-71069 APPLICATION SPEC - WEIGHT -	<b>Tyco Electronics</b> tyco Electronics Switzerland - Lugano NAME PUSH PULL PLUG TERMINATOR DIN 1.0-2.3 SERIES
DIMENSIONS: mm 	TOLERANCES UNLESS OTHERWISE SPECIFIED: 0 PLC ± 1 PLC ± 2 PLC ± 3 PLC ± 4 PLC ± ANGLES ±°	SIZE A3 CAGE CODE 00779 DRAWING NO C-619219	RESTRICTED TO - SCALE 5:1 SHEET 1 OF 1 REV B
MATERIAL -	FINISH -	CUSTOMER DRAWING	