



Chipsmall Limited consists of a professional team with an average of over 10 year of expertise in the distribution of electronic components. Based in Hongkong, we have already established firm and mutual-benefit business relationships with customers from,Europe,America and south Asia,supplying obsolete and hard-to-find components to meet their specific needs.

With the principle of “Quality Parts,Customers Priority,Honest Operation,and Considerate Service”,our business mainly focus on the distribution of electronic components. Line cards we deal with include Microchip,ALPS,ROHM,Xilinx,Pulse,ON,Everlight and Freescale. Main products comprise IC,Modules,Potentiometer,IC Socket,Relay,Connector.Our parts cover such applications as commercial,industrial, and automotives areas.

We are looking forward to setting up business relationship with you and hope to provide you with the best service and solution. Let us make a better world for our industry!



Contact us

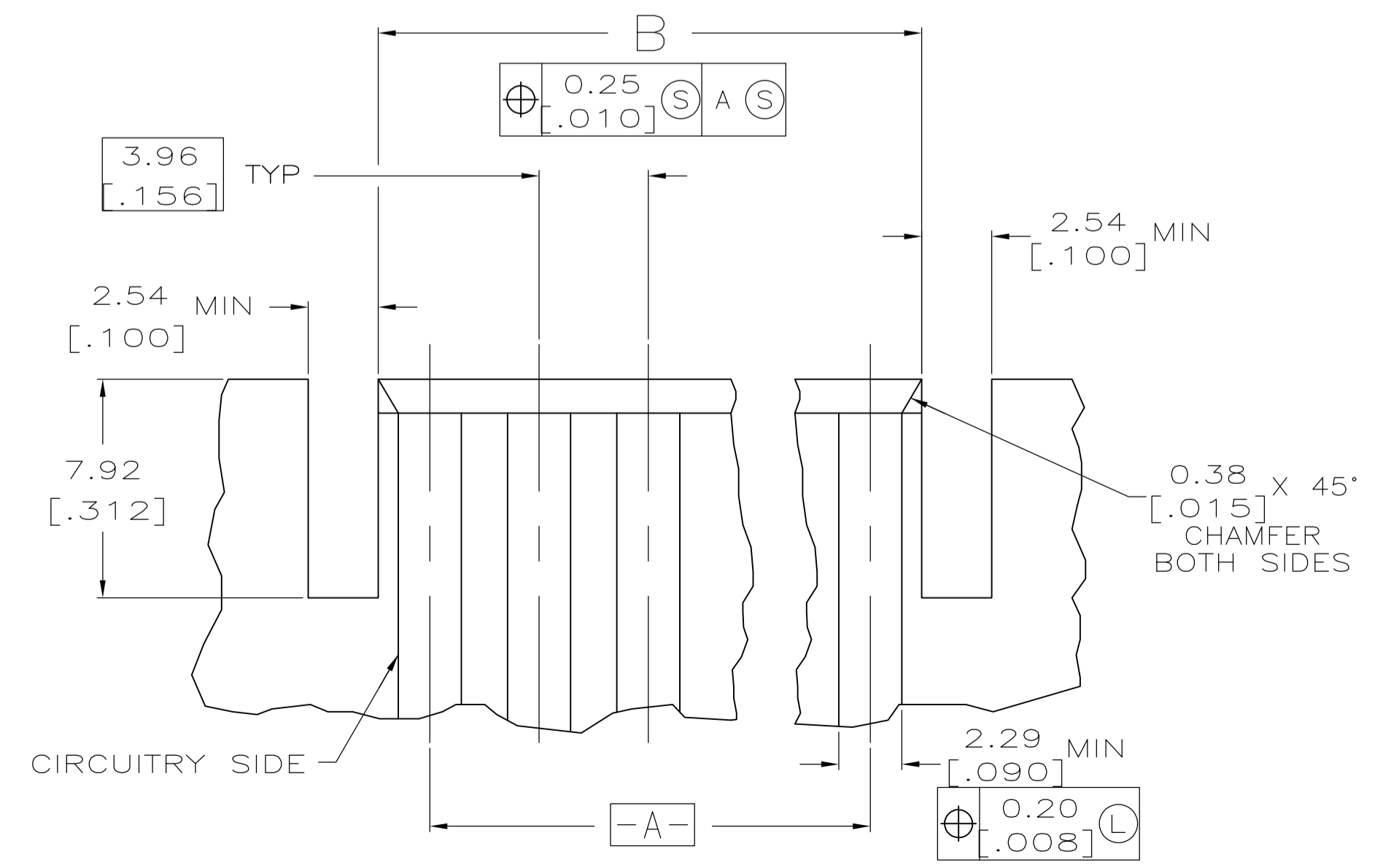
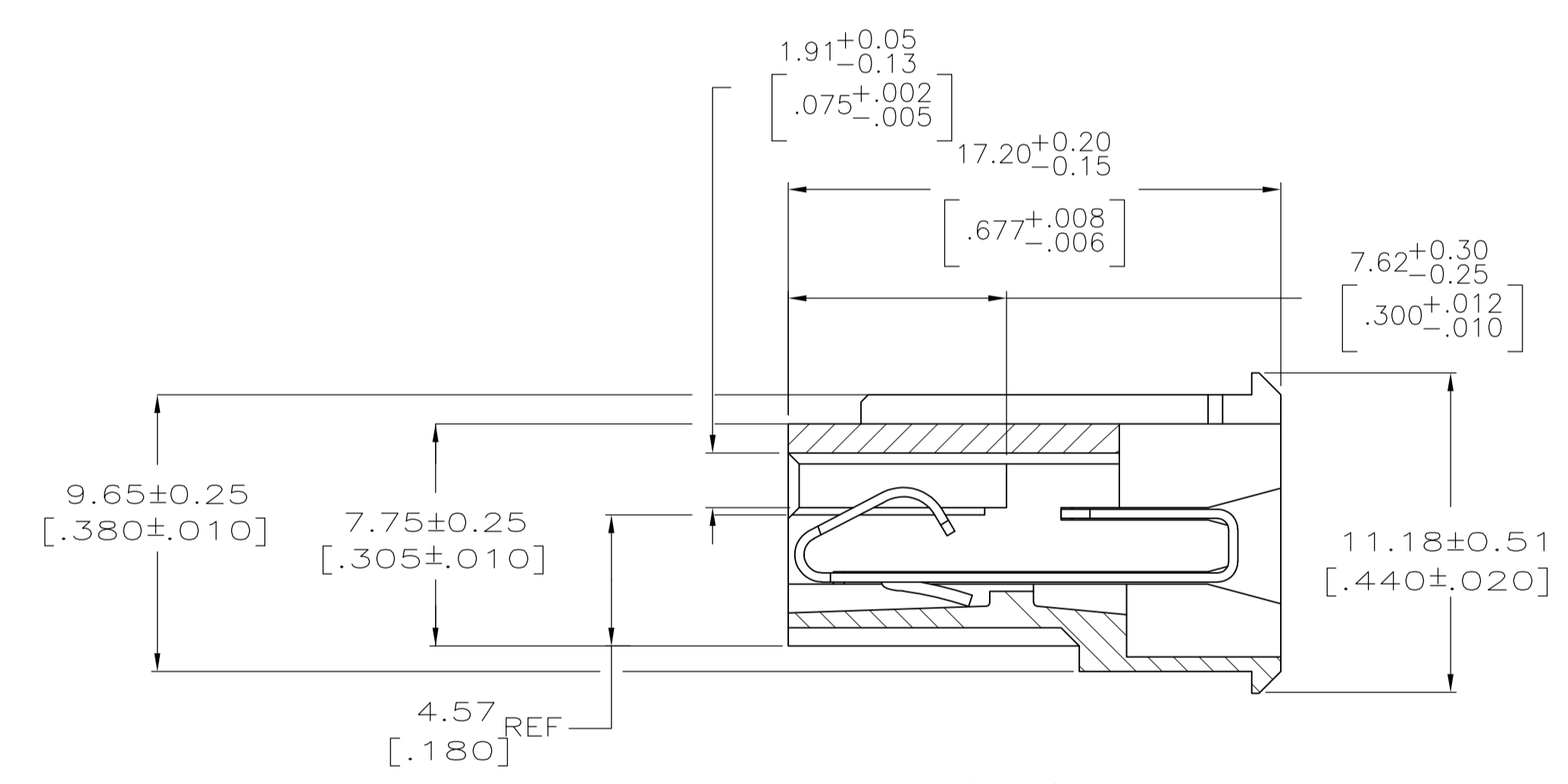
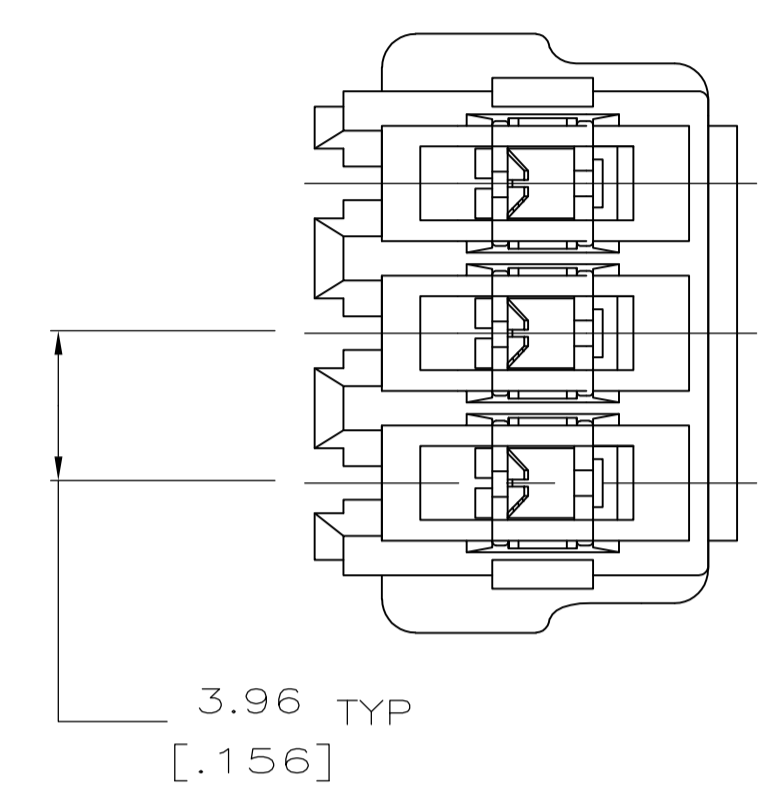
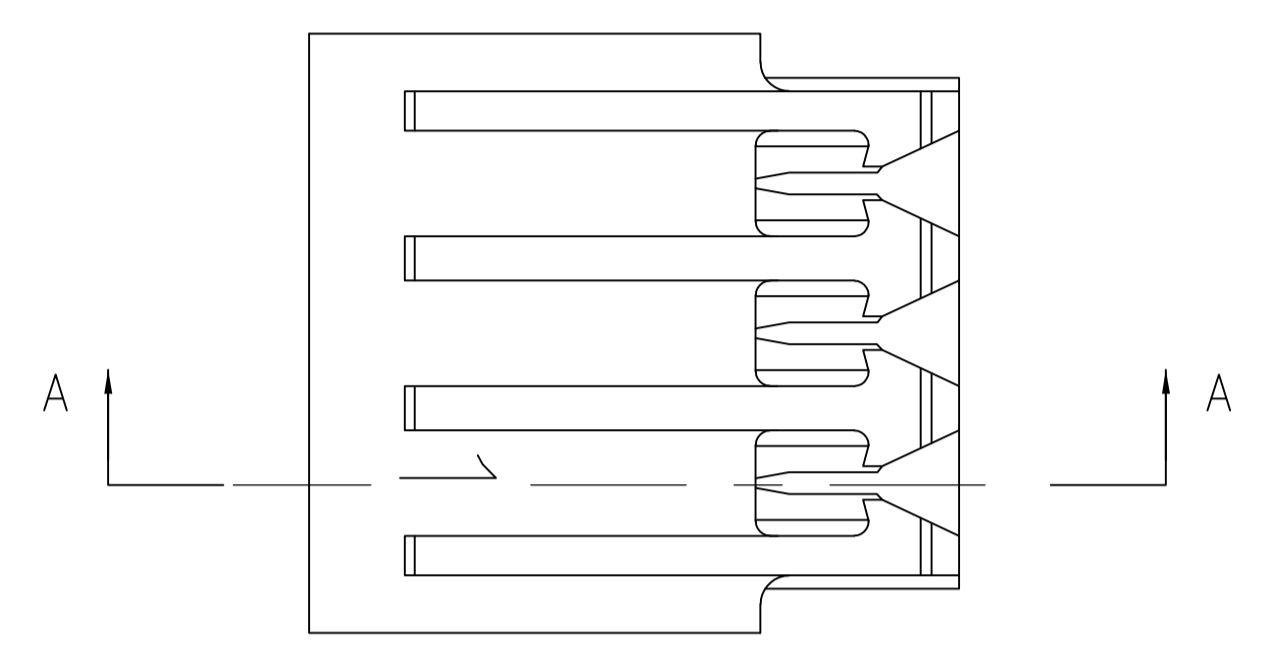
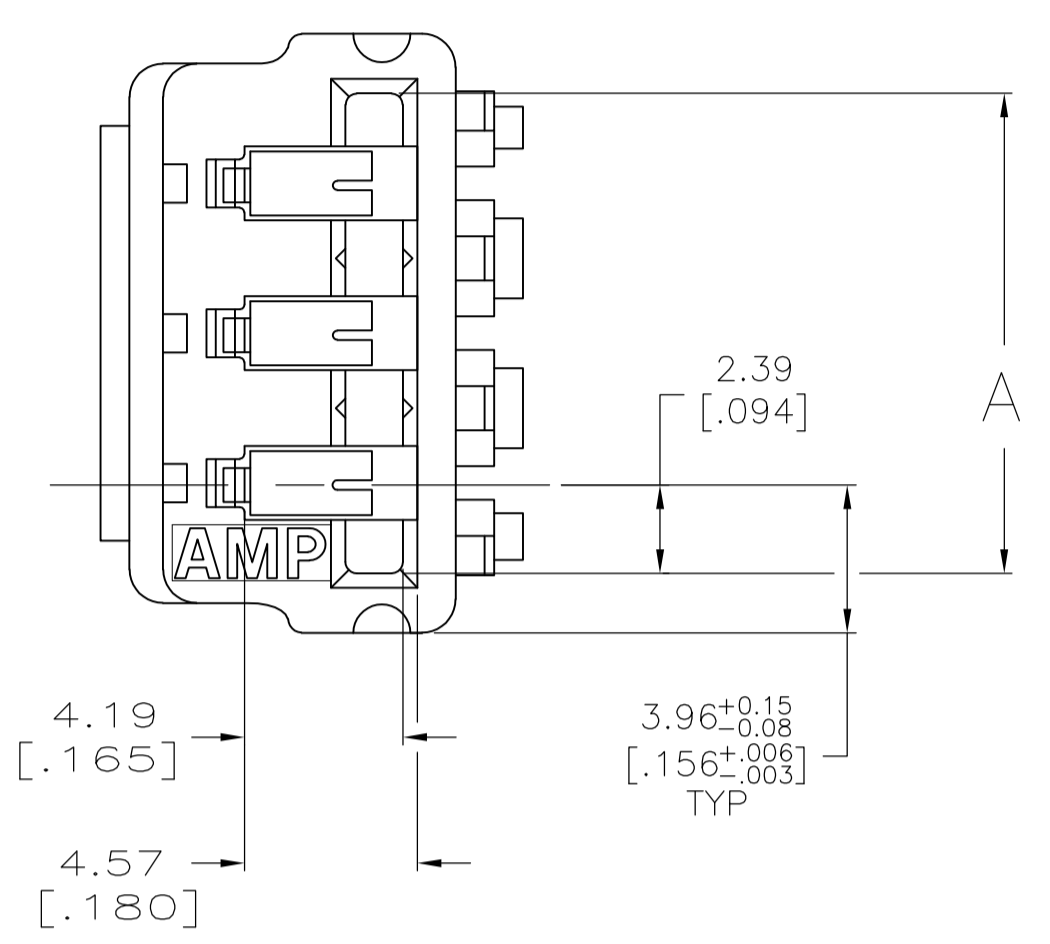
Tel: +86-755-8981 8866 Fax: +86-755-8427 6832

Email & Skype: info@chipsmall.com Web: www.chipsmall.com

Address: A1208, Overseas Decoration Building, #122 Zhenhua RD., Futian, Shenzhen, China



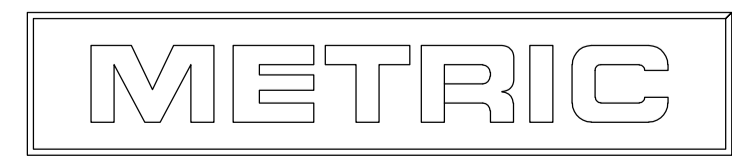
LOC		DIST		REVISIONS			
P	LTR	DATE	DMN	APVD			
T2		REVISED PER ECO-11-014117	12JUL11	HMR	SM		



- MATERIAL:
CONNECTOR: POLYESTER UL94V-0 (RED).
CONTACTS: 0.30 [.012] THK COPPER ALLOY.
 - CONTACT ACCEPT #22 AWG WIRE WITH 2.41 [.095] MAXIMUM INSULATION DIAMETER.
 - CONNECTOR MATES WITH 1.57±0.20[.062±.008] THICK PC BOARD.
 - HOUSING FEATURES: CLOSED END, STANDARD MOUTH WITHOUT MOUNTING EARS.
- ⚠ CONTACT FINISH: BRIGHT TIN-LEAD 0.00203[.000080] MIN THK.
- ⚠ CONTACT FINISH: MATTE WHISKER MITIGATED TIN 0.00203[.000080] MIN THICKNESS OVER NICKEL UNDERPLATE.
- ⚠ OBSOLETE PARTS: OBSOLETE CIS STREAMLINING PER D.RENAUD/D.SINISI

CONTACT FINISH	B	A	NO. OF CIRCUITS	PART NUMBER
⚠	95.50 [3.760]	95.91 [3.776]	24	5-640861-4
⚠	91.54 [3.604]	91.95 [3.620]	23	5-640861-3
⚠	87.58 [3.448]	87.99 [3.464]	22	5-640861-2
⚠	83.62 [3.292]	84.02 [3.308]	21	5-640861-1
⚠	79.65 [3.136]	80.06 [3.152]	20	5-640861-0
⚠	71.73 [2.824]	72.14 [2.840]	18	4-640861-8
⚠	59.84 [2.356]	60.25 [2.372]	15	4-640861-5
⚠	47.96 [1.888]	48.36 [1.904]	12	4-640861-2
⚠	36.07 [1.420]	36.47 [1.436]	9	3-640861-9
⚠	24.18 [.952]	24.59 [.968]	6	3-640861-6
⚠	12.29 [.484]	12.70 [.500]	3	3-640861-3
⚠	95.50 [3.760]	95.91 [3.776]	24	2-640861-4
⚠	91.54 [3.604]	91.95 [3.620]	23	2-640861-3
⚠	87.58 [3.448]	87.99 [3.464]	22	2-640861-2
⚠	83.62 [3.292]	84.02 [3.308]	21	2-640861-1
⚠	79.65 [3.136]	80.06 [3.152]	20	2-640861-0
⚠	71.73 [2.824]	72.14 [2.840]	18	1-640861-8
⚠	59.84 [2.356]	60.25 [2.372]	15	1-640861-5
⚠	47.96 [1.888]	48.36 [1.904]	12	1-640861-2
⚠	36.07 [1.420]	36.47 [1.436]	9	1-640861-9
⚠	24.18 [.952]	24.59 [.968]	6	1-640861-6
⚠	12.29 [.484]	12.70 [.500]	3	1-640861-3

SUPERSEDED
⚠
OBSOLETE
SUPERSEDED



THIS DRAWING IS A CONTROLLED DOCUMENT. DIN K. SALMON 10-23-91. CHK R. SWING 10-23-91. APVD - NAME -

DIMENSIONS: mm [INCHES]. TOLERANCES UNLESS OTHERWISE SPECIFIED: 0 PLC ± -, 1 PLC ± -, 2 PLC ± 0.13 [.005], 3 PLC ± -, 4 PLC ± -, ANGLES ± -.

MATERIAL: SEE NOTE 1. FINISH: SEE NOTE 1. WEIGHT: -. SIZE: A1. CAGE CODE: 00779. DRAWING NO: 640861. RESTRICTED TO: CUSTOMER DRAWING. SCALE: 5:1. SHEET: 1 OF 1. REV: T2.

STE TE Connectivity
PRODUCT SPEC: MTA-156
APPLICATION SPEC: CARD EDGE CONNECTOR ASSEMBLY, 22 AWG